

CLC5506

CLC5506 Gain Trim Amplifier (GTA)



Literature Number: SNOS456C

CLC5506

Gain Trim Amplifier (GTA)

General Description

The CLC5506 is a low noise amplifier with programmable gain for use in cellular base stations, WLL, radar and RF/IF subsystems where gain control is required to increase the dynamic range. The CLC5506 allows designers to compensate for manufacturing component tolerances and temperature variations in receiver front ends. Maximum amplifier gain is set at 26dB. A three-line MICROWIRE serial interface allows 16dB of attenuation from the max gain setting in precise 0.25dB steps.

The CLC5506 uses a differential input and output, allowing large output swings on a single 5V rail. The differential output is well suited for impedance matching networks driving SAW filters or directly driving differential input analog to digital converters (ADC). The differential output also makes it possible to drive transformers allowing designers the ability to match a wide variety of transmission lines. The output amplifier has excellent output drive with low distortion.

Digital control of the CLC5506 is accomplished using MICROWIRE Interface. Data Out and a Load Enable are incorporated so that more than one CLC5506/channel may be programmed per system.

The CLC5506 maintains a 600MHz performance bandwidth over its entire gain and attenuation range from +10dB to +26dB. Gain control is divided into 64 equal steps of 0.25dB and is dB-linear. Output drive and distortion performance are excellent; In a 50Ω system, the third-order output intercept point is +22dBm at nominal gain of 18dB at 25°C. The CLC5506 operates over the industrial temperature range of -40°C to +85°C.

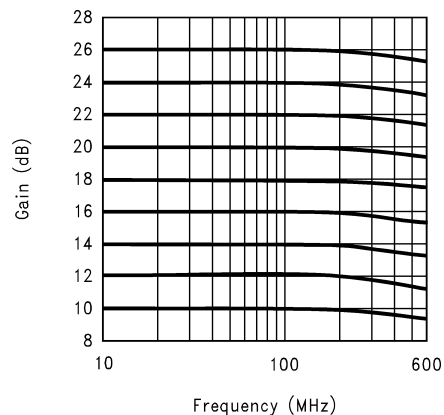
Features

- 600MHz bandwidth
- 26dB maximum gain @ 150MHz
- 16dB gain control range
- Attenuation step size: 0.25dB
- 4.8dB noise figure @ 26dB
- +22dBm output IP3 @ 18dB gain
- Digital "dB Linear" gain control
- Supply voltage: 5V
- Supply current: 75mA
- Supply shutdown: 35μA
- Package: SOIC-14
- Typical at 25°C

Applications

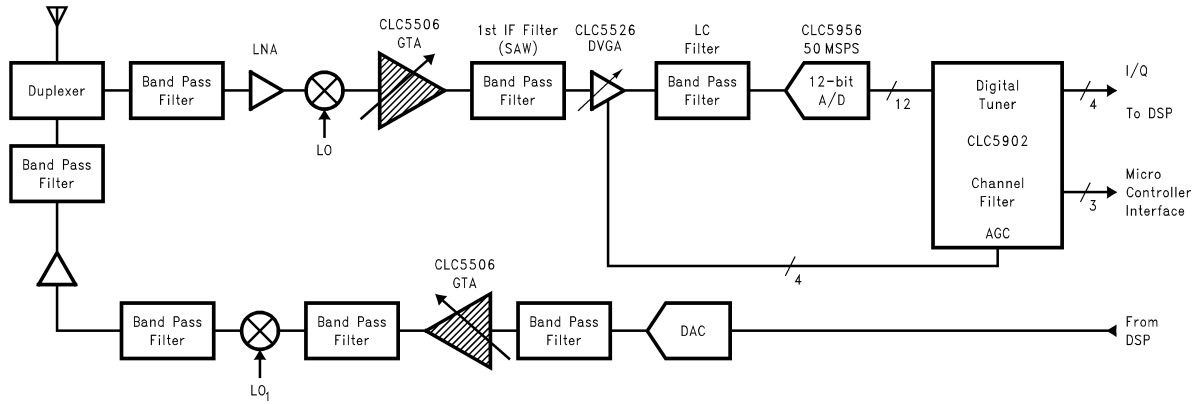
- Cellular base-stations
- Base station repeater
- Wireless Local Loop
- Radar
- Receivers
- IF amplifiers
- Digital IF receiver
- Software radio
- Satellite communications

Frequency Response vs. Gain Setting



DS101050-1

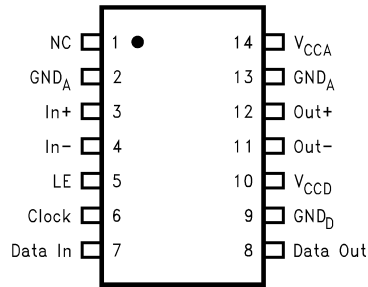
Typical Application



DS101050-2

Connection Diagram

CLC5506 Pin Diagram



DS101050-3

Top View

Pin #	Pin Name	Description
1	NC	No connection
2	GND _A	Analog ground
3	In+	Positive differential input
4	In-	Negative differential input
5	LE	MICROWIRE load enable input. High impedance CMOS input with Schmitt trigger
6	Clock	MICROWIRE clock input. High impedance CMOS input with Schmitt trigger. Data is clocked in on the rising edge of clock.
7	Data In	MICROWIRE data input. High impedance CMOS input with Schmitt trigger. Binary serial data. Data entered Power Down first.
8	Data Out	MICROWIRE data output. High impedance CMOS input with Schmitt trigger.
9	GND _D	Digital ground
10	V _{CCD}	Digital supply voltage
11	Out-	Negative differential Output
12	Out+	Positive differential output
13	GND _A	Analog ground
14	V _{CCA}	Analog supply voltage

Ordering Information

Package	Temperature Range	Part Number	Package Marking	NSC Drawing
SO-14	-40°C to +85°C	CLC5506IM	CLC5506IM	M14a
		CLC5506IMX	CLC5506IM	
N/A	-40°C to +85°C	CLC5506PCASM	N/A	Fully loaded evaluation board

Absolute Maximum Ratings (Note 1)

If Military/Aerospace specified devices are required, please contact the National Semiconductor Sales Office/Distributors for availability and specifications.

ESD tolerance(Note 2)	
Human Body Model	2.5KV
Machine Model	250V
Differential Input Voltage	+/-1V
Supply Voltage	-0.3 to +6V
Digital Input Voltage	-0.3V to V_{CC}
Analog Input Voltage	-0.3V to V_{CC}
Output Short Circuit Duration	Infinite
Lead Temperature (Soldering, 10 sec)	+300°C

ESD tolerance(Note 2)

Storage Temperature Range	-65°C to 150°C
Junction temperature	155°C
Differential voltage Between Any Two Inputs	<200mV

Operating Ratings (Note 1)

Supply Voltage (Pins 10 and 14)	5V +/- 10%
Ambient Temperature Range	-40°C to +85°C
Junction Temperature Range	-40°C to +150°C
Package Thermal Resistance, θ_{JA}	127°C/W

Electrical Characteristics

These conditions apply unless otherwise specified: $T_J = 25^\circ\text{C}$, $V_{CCA} = V_{CCD} = +5\text{V}$: Gain = 25.75dB, $R_{Ldiff} = 100\Omega$, Pin = -30dBm (Note 6),(Note 7).

Symbol	Parameter	Conditions	Typ (Note 3)	Limit (Note 4)	Units
Analog I/O					
Frequency Response/Distortion/Noise					
	Upper -3dB Bandwidth	All Gain Codes	600		MHz
	Upper -1dB Bandwidth	All Gain Codes		400	MHz
	Gain Flatness in Any 1MHz Band	10MHz < f < 600MHz, All Gain Codes	0.003		dB
	Group Delay	50MHz < f < 600MHz	1.5		nsec
	Group Delay Ripple	50MHz < f < 600MHz	0.5		nsec
	Output Third Order Intercept Point	18dB Gain, f = 110MHz	22		dBm
	Noise Figure	Gain = 25.75dB, (Note 6)	4.8		dB
		Gain = 18dB, (Note 6)	5.7		dB
		Gain = 10dB, (Note 6)	7.0		dB
	1dB Output Compression Point	150MHz	4.0		dBm
	2 nd Harmonic Distortion	Pin = -30 dBm, fc = 200MHz @ Gain = 25.75dB	46		dBc
		@ Gain = 10dB	46		dBc
	3 rd Harmonic Distortion	Pin = -30 dBm, fc = 200MHz @ Gain = 25.75dB	49		dBc
		@ Gain = 10dB	56		dBc
	Input/Output Isolation Power Down Mode	Full Frequency Band	45		dB
Gain Parameters: (Note 5)					
	Maximum Gain	Full Temperature Range	25.75		dB
	Minimum Gain	Full Temperature Range	10		dB
	Gain Step Size	Full Temperature Range	0.25		dB
	Accuracy of Gain Setting	@ 25°C	±0.05		dB
	Gain Variation Over Temperature	Full Temperature Range	±0.5		dB
Input/Output Characteristics:					
	Input Resistance	Differential	200		Ω
	Input Capacitance	Differential	0.5		pF
	Output Resistance	Differential	5K		Ω
	Output Capacitance	Differential	0.5		pF

Electrical Characteristics (Continued)

These conditions apply unless otherwise specified: $T_J = 25^\circ\text{C}$, $V_{CCA} = V_{CCD} = +5\text{V}$; Gain = 25.75dB, $R_{Ldiff} = 100\Omega$, Pin = -30dBm (Note 6),(Note 7).

Symbol	Parameter	Conditions	Typ (Note 3)	Limit (Note 4)	Units
Logic I/O					
	Clock Speed	Maximum	1		MHz
	Data to Clock Setup Time, T_{CS}	Minimum	50		nsec
	Data to Clock Hold Time, T_{CH}	Minimum	10		nsec
	Clock Pulse Width High, T_{CWH}	Minimum	50		nsec
	Clock Pulse Width Low, T_{CWL}	Minimum	50		nsec
	Clock To Load Enable Setup Time, T_{ES}	Minimum	50		nsec
	High Level Input Voltage		$0.7 V_{CCD}$		V
	Low Level Input Voltage		$0.3 V_{CCD}$		V
	High Level Input Current		± 1.0		μA
	Low Level Input Current		± 1.0		μA
	High Level Output Voltage	$I_{source} = 0.5\text{mA}$	$V_{CCD} - 0.8$		V
	Low Level Output Voltage	$I_{sink} = 0.5\text{mA}$	0.4		V
DC Characteristics:					
	Supply Current		75	95	mA
	Supply Current In Power Down Mode		35	100	μA

Note 1: Absolute Maximum Ratings indicate limits beyond which damage to the device may occur. Operating Ratings indicate conditions for which the device is intended to be functional, but specific performance is not guaranteed. For guaranteed specifications and the test conditions, see the Electrical Characteristics.

Note 2: Human body model, 1.5k Ω in series with 100pF. Machine model, 200 Ω in series with 100pF.

Note 3: Typical values represent the most likely parametric norm.

Note 4: All limits are guaranteed by testing or statistical analysis, unless otherwise noted.

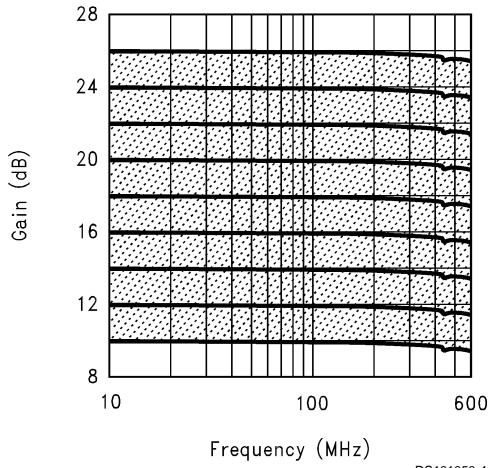
Note 5: AC test performed at 400MHz unless otherwise noted.

Note 6: Refer to test circuit schematic, loss of transformers is excluded from the measurement.

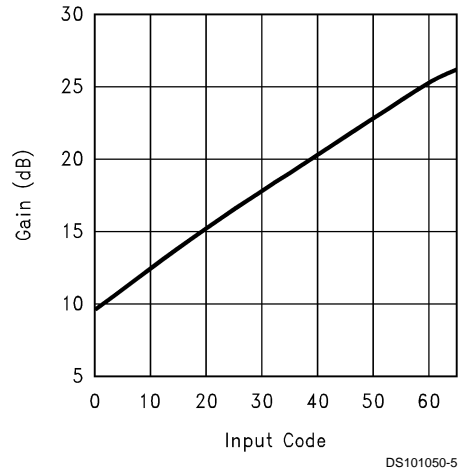
Note 7: Refer to test circuit schematic to see the definition of R_{Ldiff} .

Typical Performance Characteristics ($V_{CCA} = V_{CCD} = +5V$, $R_{Ldiff} = 100\Omega$, $T_A = 25^\circ C$, unless otherwise specified)

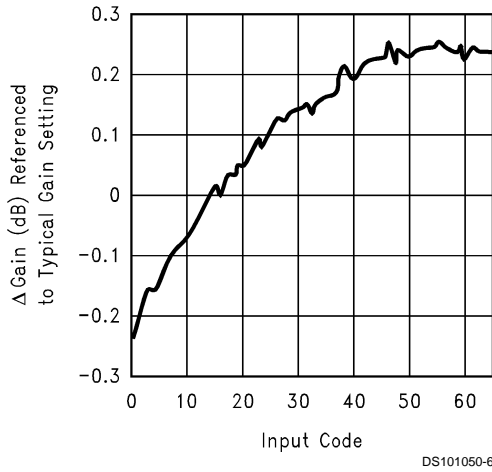
Frequency Response vs. Gain Setting (0.25dB/step)



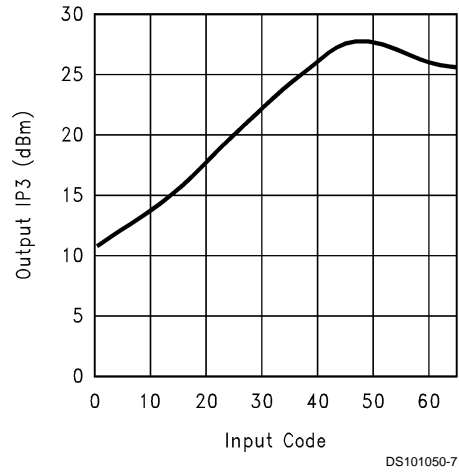
Gain vs. Input Code



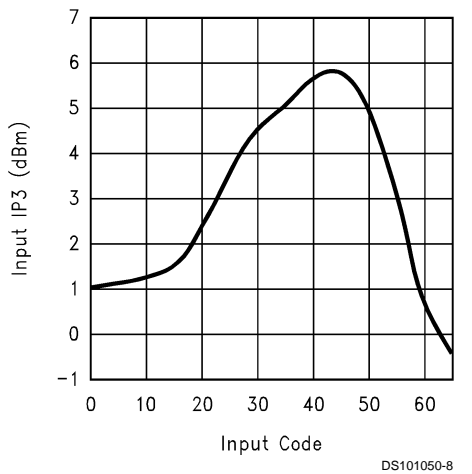
Gain Error vs. Input Code



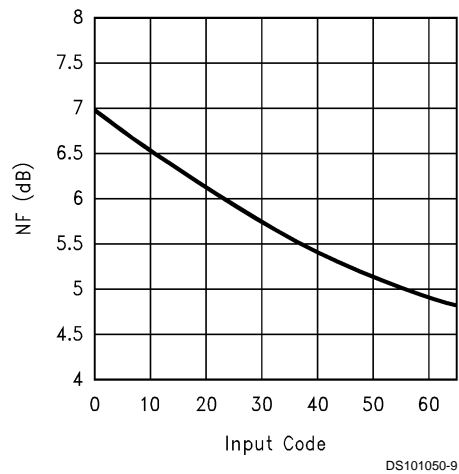
Output 3rd Order Intercept vs. Input Code



Input 3rd Order Intercept vs. Input Code



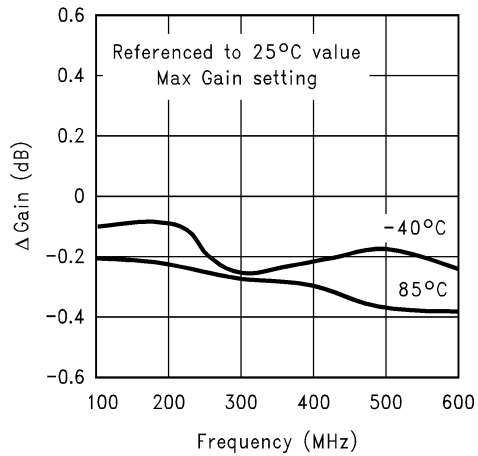
Noise Figure vs. Input Code



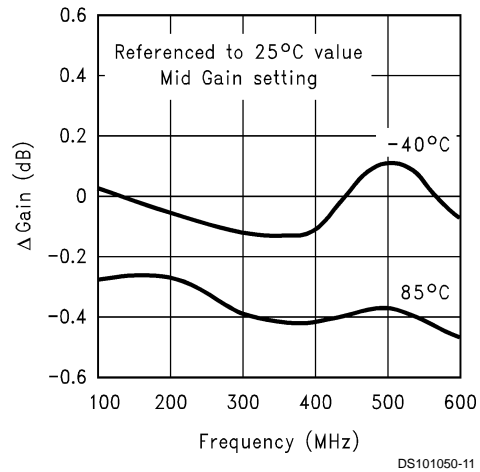
Typical Performance Characteristics

($V_{CCA} = V_{CCD} = +5V$, $R_{Ldiff} = 100\Omega$, $T_A = 25^\circ C$, unless otherwise specified) (Continued)

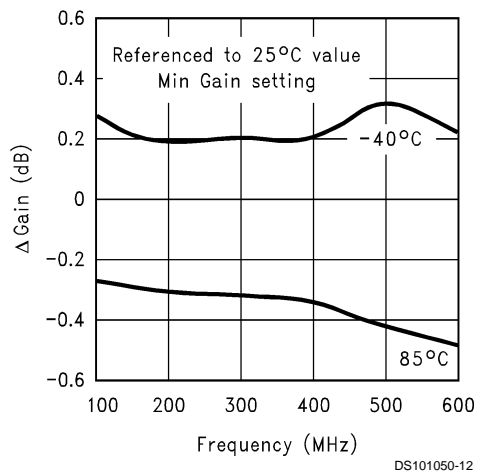
Gain Change Over Temperature vs. Frequency



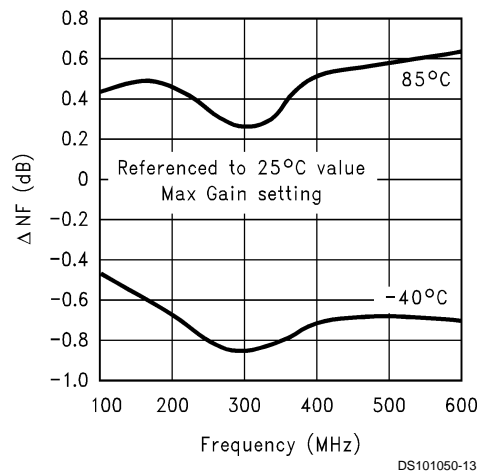
Gain Change Over Temperature vs. Frequency



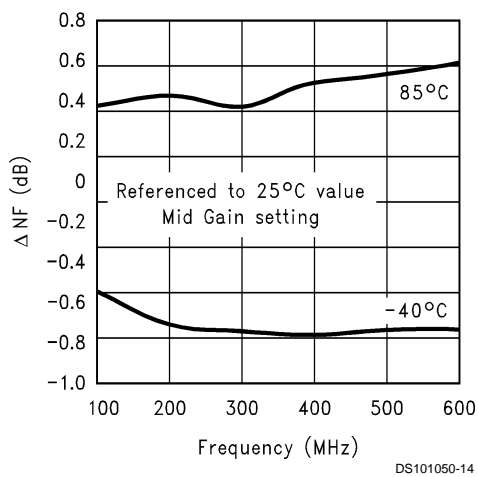
Gain Change Over Temperature vs. Frequency



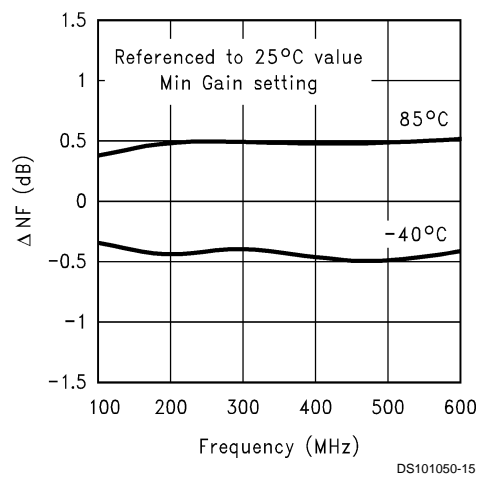
NF Change Over Temperature vs. Frequency



NF Change Over Temperature vs. Frequency



NF Change Over Temperature vs. Frequency



Typical Performance Characteristics

($V_{CCA} = V_{CCD} = +5V$, $R_{Ldiff} = 100\Omega$, $T_A = 25^\circ C$, unless otherwise specified) (Continued)

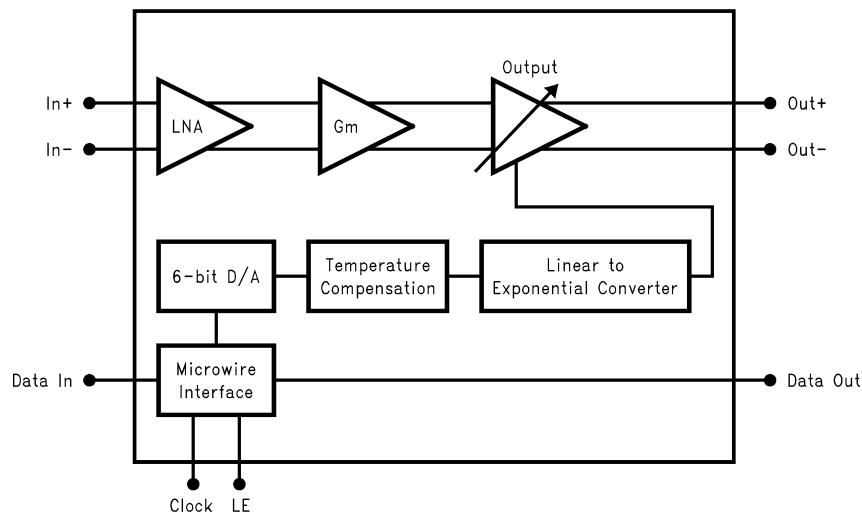
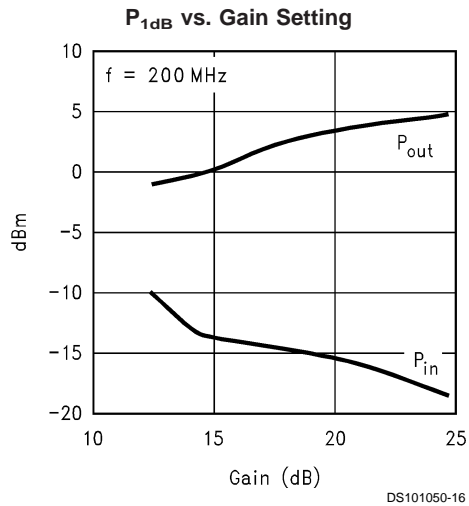


FIGURE 1. CLC5506 Functional Block Diagram

APPLICATION NOTE

Description

Figure 1 above shows the CLC5506 functional block diagram overview.

The LNA (Low Noise Amplifier) is responsible for maintaining a nominal input impedance of 200Ω with minimum noise contribution and some finite and fixed amount of gain (~ 4). Exceptional Noise Figure (NF) performance of 4.8dB (@ Gain = 25.75dB) is achieved by utilizing an active impedance matching circuit technique which overcomes the inevitable 3dB NF penalty when using passive shunt matching.

The LNA stage is immediately followed by a transconductance stage (Gm) which then converts the LNA's voltage output into a differential current output with fixed gain.

The 6-bit D/A converter, which processes the digital code read into the device using the MICROWIRE interface, consists of a 6-bit R2R ladder. In order to achieve true "Linear in dB" gain control at the output, the D/A converter

output is processed by a "Linear to Exponential" converter block before being used to set the gain of the input signal. The "Linear to Exponential" block and the "Temperature Compensation" blocks work in conjunction to achieve gain stability over the temperature range. Finally, the output stage consists of a variable gain cell with open Collector output. This variable gain cell sets the signal channel gain in accordance with the value of the digital code.

Gain Control

The CLC5506 minimum gain is at 10dB nominal. There are a total of 64 distinct gain control codes possible (serial data input through Data In pin) at 0.25dB/code resulting in a maximum nominal gain of 25.75dB.

Therefore, the overall gain can be written as:

$$\text{Gain (dB)} = 10\text{dB} + N_{\text{code}} * 0.25 \text{ (dB/code)}$$

where N_{code} refers to the decimal equivalent of the 6-bit gain control code.

APPLICATION NOTE (Continued)

TABLE 1.

Gain	Typical Gain Setting (dB)	Note
0	10	Minimum Gain Setting
1	10.25	
2	10.5	
***	***	
K	$10 + 0.25 \cdot K$	
***	***	
62	25.50	
63	25.75	Maximum Gain Setting

Power Down

The CLC5506 is able to go to a Power Down mode in order to minimize its power consumption to a fraction of its nominal value. The Power Down mode is activated through the MICROWIRE interface by clocking in a "1" into the Power Down shift register prior to allowing LE (pin 5) to go high. Refer to *Figure 2* and *Figure 3* for more information.

In Power Down mode, the CLC5506 sinks less than 35µA. The CLC5506 will wake up to the requested gain level specified by Data In through the MICROWIRE interface.

When V_{CC} is first applied, the device is configured such that it would always "wake up" with a nominal gain of 17.75dB ($N_{code} = 3$).

MICROWIRE™ Interface

Data In along with the Clock, LE, and Data Out, is used for the following purposes:

Setting the 6-bit gain control code

Putting the device into a Power Up/Down mode to minimize power consumption

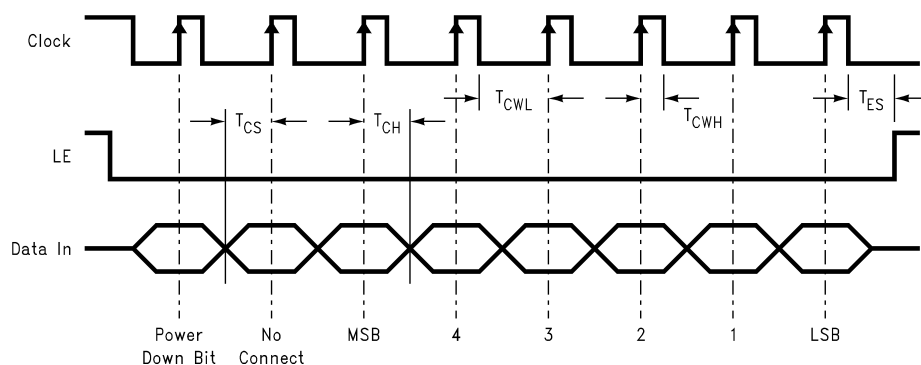
Daisy chain several CLC5506 or other MICROWIRE Interface devices through the Data Out pin

The MICROWIRE interface timing diagram along with the bit assignment of all 8 bits is shown in *Figure 2*. The interface is active only when LE (pin 5) is low; otherwise, the interface is inactive (Clock and Data In are ignored) and the CLC5506 gain is the current content of the 6 bits already read into the device.

With LE low, each successive positive transition of Clock will read the value of the Data In into a series of 8 single bit shift registers. In order to load all 8 registers, 8 Clock transitions are required after which, when LE is allowed to go High, the new values in the shift registers are latched to determine the device gain setting (or Power Down state). New data can be shifted into the device with the present gain setting not affected as long as LE is held low.

Data from the last register in the chain is clocked out on Data Out pin on the negative transitions of Clock as shown in *Figure 3*. This enables several MICROWIRE Interface devices to be daisy chained and controlled from a single bus master.

The maximum clock frequency (Clock pin) is 1MHz.



DS101050-18

Note:

1. Data is clocked in on the rising edge of Clock.
2. Power Down bit is the first data to enter the CLC5506.

FIGURE 2. MICROWIRE Interface Timing Diagram

APPLICATION NOTE (Continued)

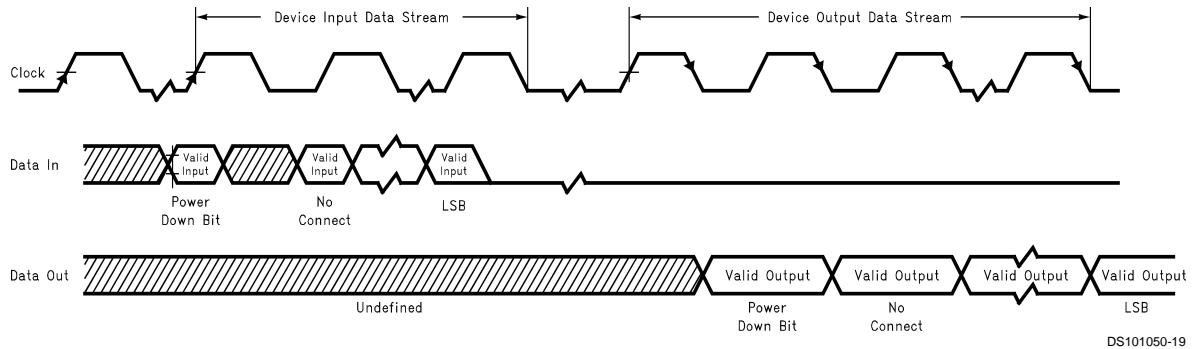


FIGURE 3. MICROWIRE Interface Serial Data Out Timing

Differential Input and Output Considerations

The CLC5506 typical application requires DC blocking capacitors for both inputs and outputs to main internal DC biasing points.

The input impedance between the differential inputs (IN+, IN-) is $200\Omega/0.5\text{pF}$. Since the 0.5pF capacitance can be neglected in the VHF band, a 1:4 impedance ratio balun can be used to transform a 50Ω source to the 200Ω differential inputs of CLC5506 for wide band design.

The CLC5506 has a pair of open collector differential outputs (OUT+, OUT-). DC biasing is achieved through an RF inductor. The RF inductor acts as a choke to block RF leakage and interference. An external resistor across the differential outputs is used to set the output resistance of

CLC5506. Wideband output matching to an unbalanced 50Ω load can be achieved by using a 1:n balun. A 1:4 impedance ratio balun is used when a 200Ω external resistor is used in a 50Ω system.

Although the CLC5506 can be used as a single-ended device by grounding one of the inputs through a capacitor, the noise figure would be severely degraded by 6dB.

The CLC5506 can also directly interface to balanced devices, like SAW filters and ADCs. Narrowband design example with ADC CLC5956 and SAW filter is provided below. The component values of matching inductors and capacitors depend on the actual input/output impedance of the SAW filter, ADC, PWB properties, layout and frequency band.

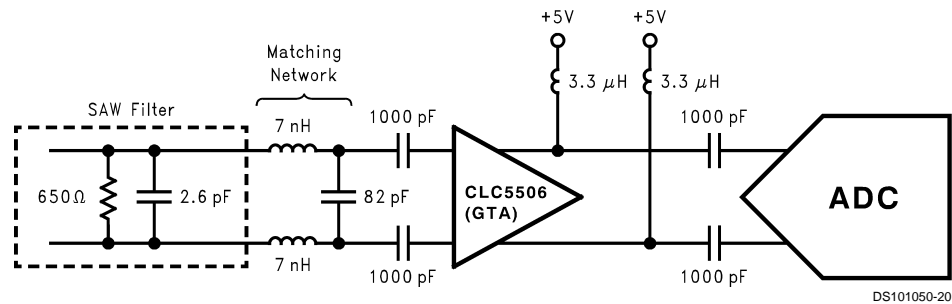
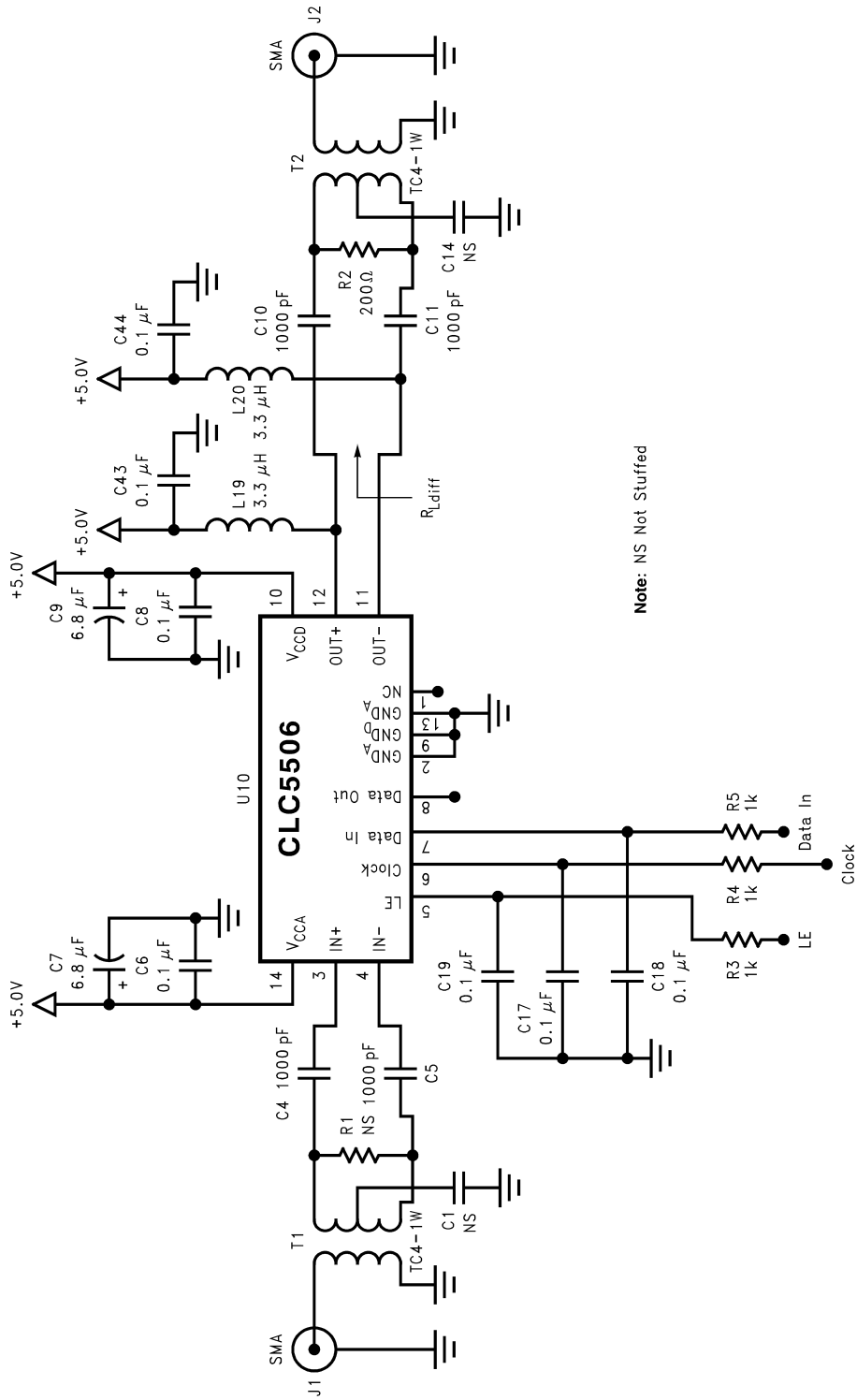


FIGURE 4. Narrow band design example with balanced SAW filter and ADC

CLC5506 Evaluation Board

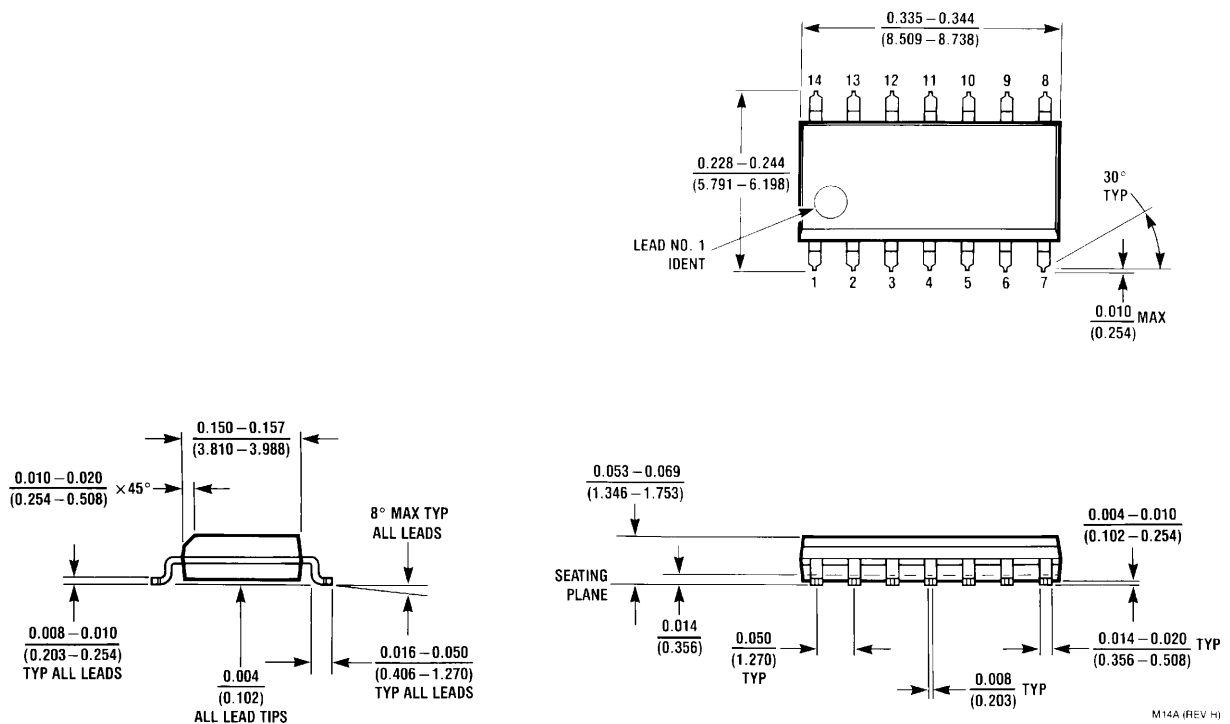
A proper printed circuit layout is essential for achieving high frequency performance. To expedite evaluation, an assembled and tested evaluation kit CLC5506PCASM is available for sale. See application note AN-1138 for technical details of evaluation kit. Order information and application note is available on the Web at <http://www.national.com>

CLC5506 Test Circuit Schematic



DS101060-21

Physical Dimensions inches (millimeters) unless otherwise noted



**14-Pin Small Outline
NS Package Number M14A**

LIFE SUPPORT POLICY

NATIONAL'S PRODUCTS ARE NOT AUTHORIZED FOR USE AS CRITICAL COMPONENTS IN LIFE SUPPORT DEVICES OR SYSTEMS WITHOUT THE EXPRESS WRITTEN APPROVAL OF THE PRESIDENT AND GENERAL COUNSEL OF NATIONAL SEMICONDUCTOR CORPORATION. As used herein:

1. Life support devices or systems are devices or systems which, (a) are intended for surgical implant into the body, or (b) support or sustain life, and whose failure to perform when properly used in accordance with instructions for use provided in the labeling, can be reasonably expected to result in a significant injury to the user.
2. A critical component is any component of a life support device or system whose failure to perform can be reasonably expected to cause the failure of the life support device or system, or to affect its safety or effectiveness.

 **National Semiconductor Corporation**
Americas
Tel: 1-800-272-9959
Fax: 1-800-737-7018
Email: support@nsc.com
www.national.com

National Semiconductor Europe
Fax: +49 (0) 180-530 85 86
Email: europe.support@nsc.com
Deutsch Tel: +49 (0) 69 9508 6208
English Tel: +44 (0) 870 24 0 2171
Français Tel: +33 (0) 1 41 91 8790

National Semiconductor Asia Pacific Customer Response Group
Tel: 65-2544466
Fax: 65-2504466
Email: ap.support@nsc.com

National Semiconductor Japan Ltd.
Tel: 81-3-5639-7560
Fax: 81-3-5639-7507

IMPORTANT NOTICE

Texas Instruments Incorporated and its subsidiaries (TI) reserve the right to make corrections, modifications, enhancements, improvements, and other changes to its products and services at any time and to discontinue any product or service without notice. Customers should obtain the latest relevant information before placing orders and should verify that such information is current and complete. All products are sold subject to TI's terms and conditions of sale supplied at the time of order acknowledgment.

TI warrants performance of its hardware products to the specifications applicable at the time of sale in accordance with TI's standard warranty. Testing and other quality control techniques are used to the extent TI deems necessary to support this warranty. Except where mandated by government requirements, testing of all parameters of each product is not necessarily performed.

TI assumes no liability for applications assistance or customer product design. Customers are responsible for their products and applications using TI components. To minimize the risks associated with customer products and applications, customers should provide adequate design and operating safeguards.

TI does not warrant or represent that any license, either express or implied, is granted under any TI patent right, copyright, mask work right, or other TI intellectual property right relating to any combination, machine, or process in which TI products or services are used. Information published by TI regarding third-party products or services does not constitute a license from TI to use such products or services or a warranty or endorsement thereof. Use of such information may require a license from a third party under the patents or other intellectual property of the third party, or a license from TI under the patents or other intellectual property of TI.

Reproduction of TI information in TI data books or data sheets is permissible only if reproduction is without alteration and is accompanied by all associated warranties, conditions, limitations, and notices. Reproduction of this information with alteration is an unfair and deceptive business practice. TI is not responsible or liable for such altered documentation. Information of third parties may be subject to additional restrictions.

Resale of TI products or services with statements different from or beyond the parameters stated by TI for that product or service voids all express and any implied warranties for the associated TI product or service and is an unfair and deceptive business practice. TI is not responsible or liable for any such statements.

TI products are not authorized for use in safety-critical applications (such as life support) where a failure of the TI product would reasonably be expected to cause severe personal injury or death, unless officers of the parties have executed an agreement specifically governing such use. Buyers represent that they have all necessary expertise in the safety and regulatory ramifications of their applications, and acknowledge and agree that they are solely responsible for all legal, regulatory and safety-related requirements concerning their products and any use of TI products in such safety-critical applications, notwithstanding any applications-related information or support that may be provided by TI. Further, Buyers must fully indemnify TI and its representatives against any damages arising out of the use of TI products in such safety-critical applications.

TI products are neither designed nor intended for use in military/aerospace applications or environments unless the TI products are specifically designated by TI as military-grade or "enhanced plastic." Only products designated by TI as military-grade meet military specifications. Buyers acknowledge and agree that any such use of TI products which TI has not designated as military-grade is solely at the Buyer's risk, and that they are solely responsible for compliance with all legal and regulatory requirements in connection with such use.

TI products are neither designed nor intended for use in automotive applications or environments unless the specific TI products are designated by TI as compliant with ISO/TS 16949 requirements. Buyers acknowledge and agree that, if they use any non-designated products in automotive applications, TI will not be responsible for any failure to meet such requirements.

Following are URLs where you can obtain information on other Texas Instruments products and application solutions:

Products

Audio	www.ti.com/audio
Amplifiers	amplifier.ti.com
Data Converters	dataconverter.ti.com
DLP® Products	www.dlp.com
DSP	dsp.ti.com
Clocks and Timers	www.ti.com/clocks
Interface	interface.ti.com
Logic	logic.ti.com
Power Mgmt	power.ti.com
Microcontrollers	microcontroller.ti.com
RFID	www.ti-rfid.com
OMAP Mobile Processors	www.ti.com/omap
Wireless Connectivity	www.ti.com/wirelessconnectivity

Applications

Communications and Telecom	www.ti.com/communications
Computers and Peripherals	www.ti.com/computers
Consumer Electronics	www.ti.com/consumer-apps
Energy and Lighting	www.ti.com/energy
Industrial	www.ti.com/industrial
Medical	www.ti.com/medical
Security	www.ti.com/security
Space, Avionics and Defense	www.ti.com/space-avionics-defense
Transportation and Automotive	www.ti.com/automotive
Video and Imaging	www.ti.com/video

TI E2E Community Home Page

e2e.ti.com

Mailing Address: Texas Instruments, Post Office Box 655303, Dallas, Texas 75265
Copyright © 2011, Texas Instruments Incorporated