

## OVERVIEW

The CF5015 series are 2.5V operation crystal oscillator ICs. They are available for frequencies up to 60MHz. They employ a process optimized for 2.5V operation, resulting in both improved operating frequency and stable operation. They feature a large reduction in chip size, when compared to existing devices, making possible the construction of small-sized crystal oscillators.

## FEATURES

- 2.25 to 2.75V operating supply voltage range
- Up to 60MHz oscillation frequency range
- - 40 to 85°C operating temperature range
- Oscillation capacitors built-in
  - $C_G = 18\text{pF}$ ,  $C_D = 18\text{pF}$
- Inverter amplifier feedback resistor built-in
- Standby function
  - High impedance in standby mode, oscillator stops
- Low standby current
  - Power-save pull-up resistor built-in
- $f_O$ ,  $f_O/2$ ,  $f_O/4$ ,  $f_O/8$ , or  $f_O/16$  output frequency, determined by internal connection
- CMOS output duty level (1/2VDD)
- Molybdenum-gate CMOS process
- Chip form (CF5015AL×)

## SERIES CONFIGURATION

Version	Recommended operating frequency range <sup>1</sup> [MHz]		Built-in capacitance [pF]		Output frequency	Standby function
	$C_L = 15\text{pF}$	$C_L = 30\text{pF}$	$C_G$	$C_D$		
CF5015AL1	4 to 60	4 to 50	18	18	$f_O$	Yes
CF5015AL2					$f_O/2$	Yes
CF5015AL3					$f_O/4$	Yes
CF5015AL4					$f_O/8$	Yes
CF5015AL5					$f_O/16$	Yes

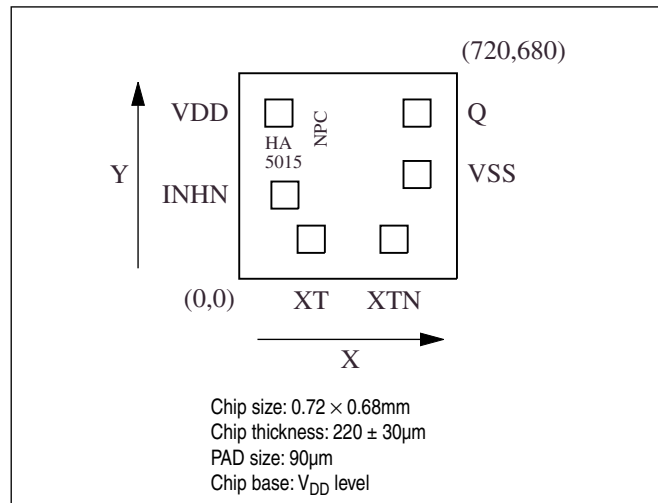
1. The recommended operating frequency is a yardstick value derived from the crystal used for NPC characteristics authentication. However, the oscillator frequency band is not guaranteed. Specifically, the characteristics can vary greatly due to crystal characteristics and mounting conditions, so the oscillation characteristics of components must be carefully evaluated.

## ORDERING INFORMATION

Device	Package
CF5015AL×-2	Chip form

### PAD LAYOUT

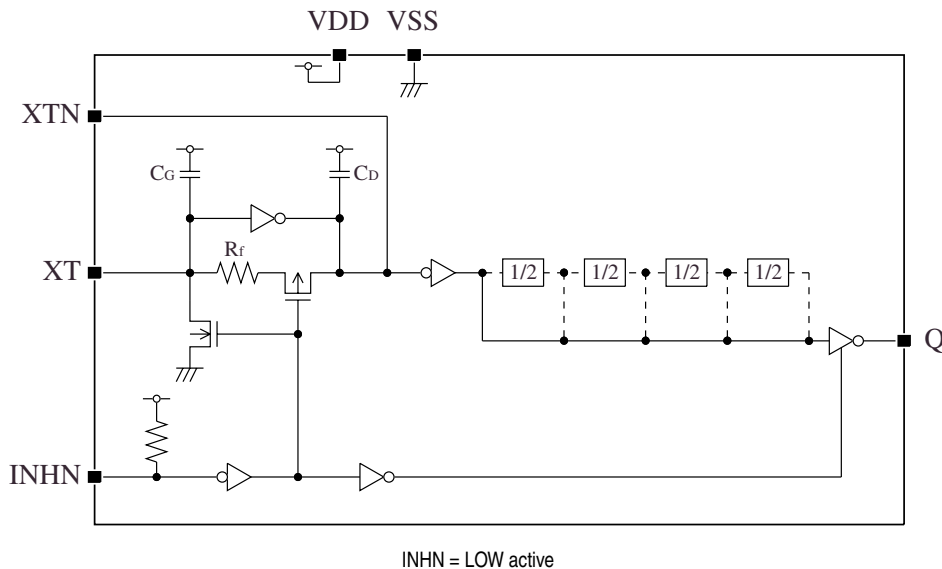
(Unit:  $\mu\text{m}$ )



### PIN DESCRIPTION and PAD DIMENSIONS

Name	I/O	Description	Pad dimensions [ $\mu\text{m}$ ]	
			X	Y
INHN	I	Output state control input. High impedance when LOW (oscillator stops). Power-saving pull-up resistor built-in.	151	277
XT	I	Amplifier input	238	131
XTN	O	Amplifier output		
Crystal connection pins. Crystal is connected between XT and XTN.			512	131
VSS	-	Ground	588	345
Q	O	Output. Output frequency ( $f_O, f_{O/2}, f_{O/4}, f_{O/8}, f_{O/16}$ ) determined by internal connection	588	548
VDD	-	Supply voltage	131	548

### BLOCK DIAGRAM



## SPECIFICATIONS

### Absolute Maximum Ratings

$$V_{SS} = 0V$$

Parameter	Symbol	Condition	Rating	Unit
Supply voltage range	$V_{DD}$		-0.5 to +7.0	V
Input voltage range	$V_{IN}$		-0.5 to $V_{DD} + 0.5$	V
Output voltage range	$V_{OUT}$		-0.5 to $V_{DD} + 0.5$	V
Operating temperature range	$T_{opr}$		-40 to +85	°C
Storage temperature range	$T_{STG}$		-65 to +150	°C
Output current	$I_{OUT}$		12	mA

### Recommended Operating Conditions

$$V_{SS} = 0V$$

Parameter	Symbol	Condition	Rating	Unit
Supply voltage	$V_{DD}$		2.25 to 2.75	V
Input voltage	$V_{IN}$		$V_{SS}$ to $V_{DD}$	V
Operating temperature	$T_{OPR}$		-40 to +85	°C
Operating frequency	$f_{OSC}$	$C_L \leq 15pF$	4 to 60	MHz
		$C_L \leq 30pF$	4 to 50	MHz

**CF5015 series**

**Electrical Characteristics**

$V_{DD} = 2.25$  to  $2.75V$ ,  $V_{SS} = 0V$ ,  $T_a = -40$  to  $+85^{\circ}C$  unless otherwise noted.

Parameter	Symbol	Condition	Rating			Unit	
			min	typ	max		
HIGH-level output voltage	$V_{OH}$	Q: Measurement cct 1, $V_{DD} = 2.25V$ , $I_{OH} = 4mA$	1.65	1.95	–	V	
LOW-level output voltage	$V_{OL}$	Q: Measurement cct 1, $V_{DD} = 2.25V$ , $I_{OL} = 4mA$	–	0.3	0.4	V	
HIGH-level input voltage	$V_{IH}$	INH N	$0.7V_{DD}$	–	–	V	
LOW-level input voltage	$V_{IL}$	INH N	–	–	$0.3V_{DD}$	V	
Output leakage current	$I_Z$	Q: Measurement cct 2, INHN = LOW	$V_{OH} = V_{DD}$	–	–	10	$\mu A$
			$V_{OL} = V_{SS}$	–	–	10	$\mu A$
Current consumption	$I_{DD}$	Measurement cct 3, load cct 1, INH N = open, $C_L = 15pF$ , $f = 60MHz$	CF5015AL1	–	5.5	11	mA
			CF5015AL2	–	4	8	mA
			CF5015AL3	–	3	6	mA
			CF5015AL4	–	2.5	5	mA
			CF5015AL5	–	2	4	mA
Standby current	$I_{ST}$	Measurement cct 3, INHN = LOW	–	–	3	$\mu A$	
INH N pull-up resistance	$R_{UP1}$	Measurement cct 4	2	6	12	$M\Omega$	
	$R_{UP2}$		20	100	200	$k\Omega$	
Feedback resistance	$R_f$	Measurement cct 5	100	300	600	$k\Omega$	
Built-in capacitance	$C_G$	Design value. A monitor pattern on a wafer is tested.	15.3	18	20.7	pF	
	$C_D$		15.3	18	20.7	pF	

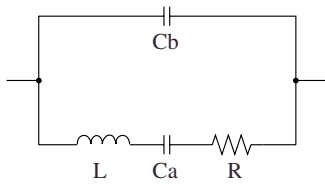
### Switching Characteristics

$V_{DD} = 2.25$  to  $2.75V$ ,  $V_{SS} = 0V$ ,  $T_a = -40$  to  $+85^\circ C$  unless otherwise noted.

Parameter	Symbol	Condition	Rating			Unit	
			min	typ	max		
Output rise time	$t_{r1}$	Measurement cct 3, load cct 1, $0.1V_{DD}$ to $0.9V_{DD}$	$C_L = 15pF$	-	3	6	ns
	$t_{r2}$		$C_L = 30pF$	-	5	10	
Output fall time	$t_{f1}$	Measurement cct 3, load cct 1, $0.9V_{DD}$ to $0.1V_{DD}$	$C_L = 15pF$	-	3	6	ns
	$t_{f2}$		$C_L = 30pF$	-	5	10	
Output duty cycle <sup>1</sup>	Duty1	Measurement cct 3, load cct 1, $V_{DD} = 2.5V$ , $T_a = 25^\circ C$	$C_L = 15pF$ $f = 60MHz$	45	-	55	%
	Duty2		$C_L = 30pF$ $f = 50MHz$	45	-	55	%
Output disable delay time <sup>2</sup>	$t_{PLZ}$	Measurement cct 6, load cct 1, $V_{DD} = 2.5V$ , $T_a = 25^\circ C$ , $C_L = 15pF$		-	-	100	ns
Output enable delay time <sup>2</sup>	$t_{PZL}$			-	-	100	ns

1. The duty cycle characteristic is checked the sample chips of each production lot.
2. Oscillator stop function is built-in. When INHN goes LOW, normal output stops. When INHN goes HIGH, normal output is not resumed until after the oscillator start-up time has elapsed.

### Current consumption and Output waveform with NPC's standard crystal



f [MHz]	R [ $\Omega$ ]	L [mH]	Ca [ff]	Cb [pF]
50	16.12	6.88	1.48	1.18
60*	-	-	-	-

\* The 60MHz crystal data is confidential.

## FUNCTIONAL DESCRIPTION

### Standby Function

When INHN goes LOW, the oscillator stops and the oscillator output on Q becomes high impedance.

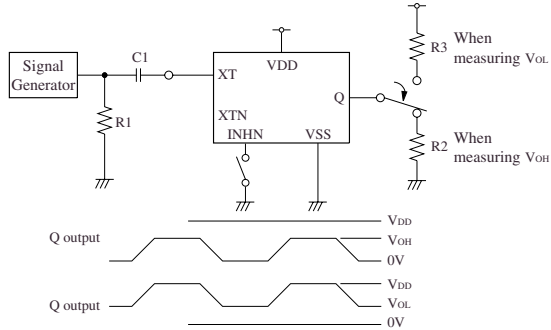
INHN	Q	Oscillator
HIGH (or open)	Any $f_O$ , $f_O/2$ , $f_O/4$ , $f_O/8$ or $f_O/16$ output frequency	Normal operation
LOW	High impedance	Stopped

### Power-save Pull-up Resistance

The INHN pull-up resistance changes in response to the input level (HIGH or LOW). When INHN goes LOW (standby state), the pull-up resistance becomes large to reduce the current consumption during standby.

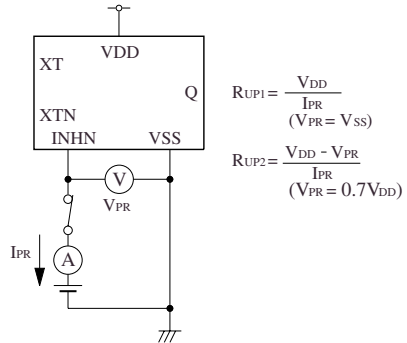
## MEASUREMENT CIRCUITS

### Measurement cct 1

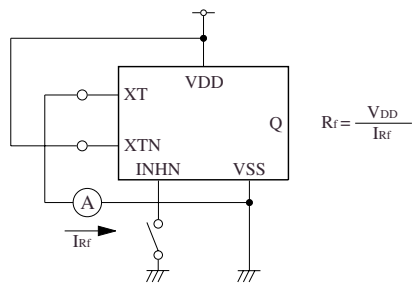


2Vp-p, 10MHz sine wave input signal  
 C1: 0.001 $\mu$ F  
 R1: 50 $\Omega$   
 R2: 413 $\Omega$   
 R3: 462 $\Omega$

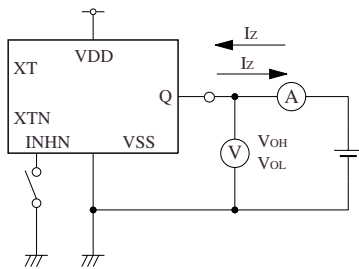
### Measurement cct 4



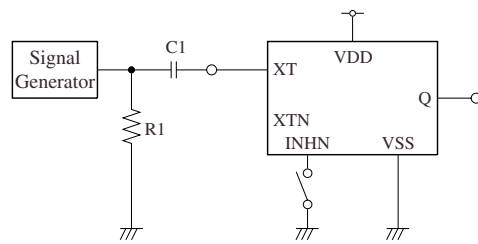
### Measurement cct 5



### Measurement cct 2

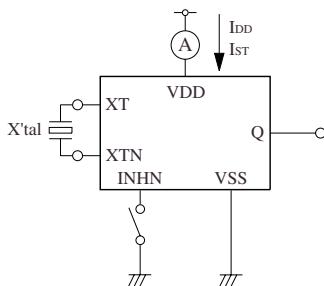


### Measurement cct 6

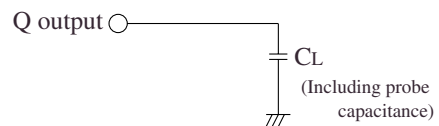


2Vp-p, 10MHz sine wave input signal  
 C1: 0.001 $\mu$ F  
 R1: 50 $\Omega$

### Measurement cct 3

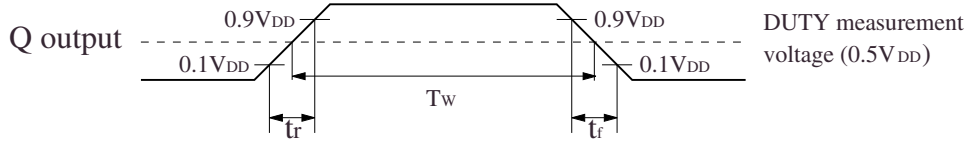


### Load cct 1

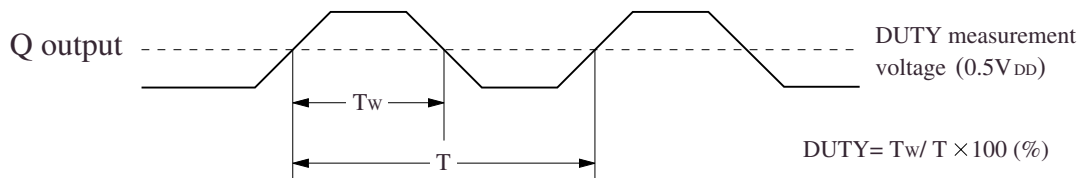


### Switching Time Measurement Waveform

#### Output duty level

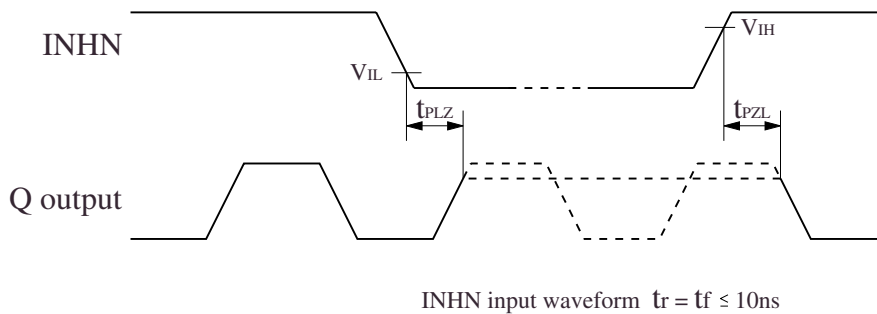


#### Output duty cycle



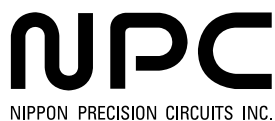
#### Output Enable/Disable Delay

when the device is in standby, the oscillator stops. When standby is released, the oscillator starts and stable oscillator output occurs after a short delay.



Please pay your attention to the following points at time of using the products shown in this document.

The products shown in this document (hereinafter "Products") are not intended to be used for the apparatus that exerts harmful influence on human lives due to the defects, failure or malfunction of the Products. Customers are requested to obtain prior written agreement for such use from NIPPON PRECISION CIRCUITS INC. (hereinafter "NPC"). Customers shall be solely responsible for, and indemnify and hold NPC free and harmless from, any and all claims, damages, losses, expenses or lawsuits, due to such use without such agreement. NPC reserves the right to change the specifications of the Products in order to improve the characteristic or reliability thereof. NPC makes no claim or warranty that the contents described in this document do not infringe any intellectual property right or other similar right owned by third parties. Therefore, NPC shall not be responsible for such problems, even if the use is in accordance with the descriptions provided in this document. Any descriptions including applications, circuits, and the parameters of the Products in this document are for reference to use the Products, and shall not be guaranteed free from defect, inapplicability to the design for the mass-production products without further testing or modification. Customers are requested not to export or re-export, directly or indirectly, the Products to any country or any entity not in compliance with or in violation of the national export administration laws, treaties, orders and regulations. Customers are requested appropriately take steps to obtain required permissions or approvals from appropriate government agencies.



NIPPON PRECISION CIRCUITS INC.

4-3, Fukuzumi 2-chome, Koto-ku,  
Tokyo 135-8430, Japan  
Telephone: +81-3-3642-6661  
Facsimile: +81-3-3642-6698  
<http://www.npc.co.jp/>  
Email: [sales@npc.co.jp](mailto:sales@npc.co.jp)

NC0206AE 2003.02