
Short Information

CCZ 3005-I

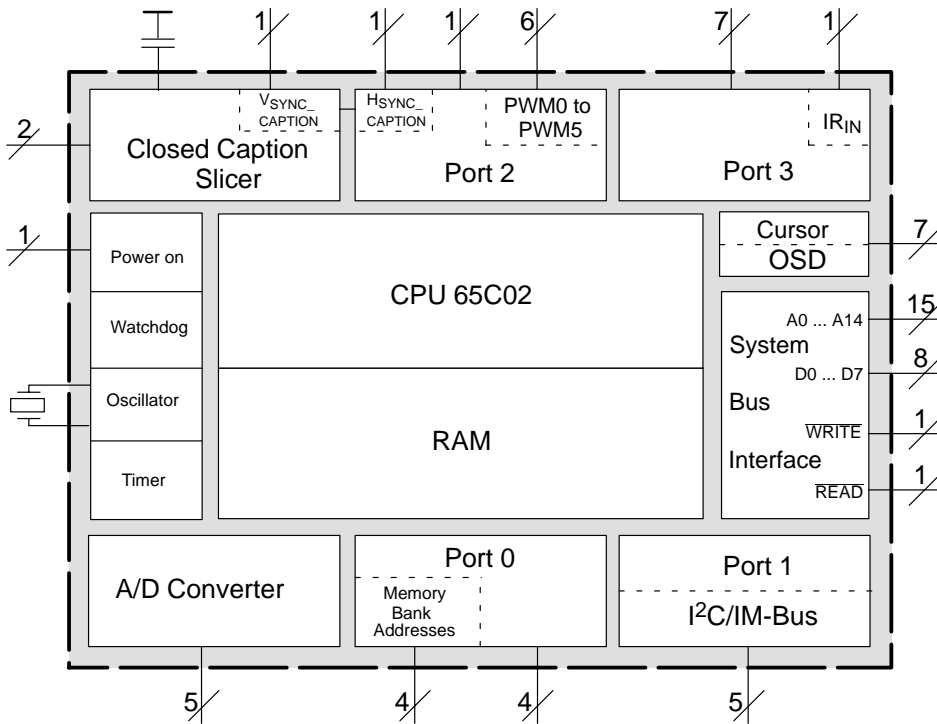
Central Control Unit

The Central Control Unit CCZ 3005-I is an integrated circuit designed in CMOS technology and housed in a 80-pin Plastic Quad Flat Package (PQFP). It is used as a single-chip TV controller with embedded Closed Caption Decoder and On-Screen Display.

Features:

- 6 MHz 65C02 CPU, 12 MHz crystal
- 80-pin PQFP package
- on-chip oscillator
- up to 512 KBytes external ROM
- 2048 Bytes internal RAM
- Closed Caption Decoder
- programmable TV-line detector
- independent H_{SYNC} and V_{SYNC} inputs for caption and OSD
- full-screen OSD with RGB and Fast Blank outputs
- 24 × 24 pixel cursor with 3 colors
- color palette: 8 out of 64 different colors programmable
- soft-scroll, underline, flash, italics
- Half-Video control output
- I²C/IM-bus master interface with two terminals
- 6 D/A converters (PWM)
- up to 29 port lines
- 8-bit A/D converter (6-bit precision) with 5 multiplexed inputs
- infrared input hardware supporting software decoding
- free-running timer generating interrupts
- power-on and clock supervision
- watchdog

Short Information



Block Diagram of the CCZ 3005-I

MICRONAS INTERMETALL GmbH
 Hans-Bunte-Strasse 19
 D-79108 Freiburg (Germany)
 P.O. Box 840
 D-79008 Freiburg (Germany)
 Tel. +49-761-517-0
 Fax +49-761-517-2174
 E-mail: docservice@intermetall.de
 Internet: <http://www.intermetall.de>

All information in this short information is without any commitment, is not to be considered as an offer for conclusion of a contract nor shall it be construed as to create any liability. Product availability and delivery dates are exclusively subject to our order confirmation. By this publication, MICRONAS INTERMETALL GmbH does not assume responsibility for infringements of patents or other rights of third parties, which may result from its use or the use of the product. Our prior written consent must be obtained for reprinting.

Edition: Sept. 13, 1996
 Order No. 6251-420-2SI