

# 13-station repertory pulse/tone dialer for telephone set

## BU8329/BU8329F/BU8330/BU8331

The BU8329, BU8330, and BU8331 are large scale integrated circuits designed for use with telephones, with all of the pulse/tone dialer functions necessary for basic telephone operation. These ICs are equipped with an internal repertory memory containing 13 stations and 16 digits.

BU8330 : For North America  
BU8329/BU8331 : For Japan

●Applications  
Telephones

●Features

- 1) The chip includes both a pulse and tone dialer, making it possible to dial in either pulse or tone mode.
- 2) Wide operating voltage range of 2.0V to 5.5V.
- 3) Internal on-hook dial control function and hold control function (BU8329).
- 4) A built-in memory enables redialing of up to 32 digits.
- 5) Repertory dial function : 3 stations and 16 digits for 1-touch, : 10 stations and 16 digits for 2-touch.
- 6) Ceramic resonator of 3.579545MHz used.
- 7) Internal digital pause timer.
- 8) Internal flash function.
- 9) Compact SOP 24 pin and DIP 22 pin packages used.

The BU8330 and BU8331 are also equipped with an internal second redial memory of 32 digits.

●Selection guide

Model	Operating voltage	Pulse speed (PPS)	Pulse break ratio%	Redial memory	Repertory memory (stations x digits) OT: 1-touch, TT: 2-touch	DTMF	Access pause	Key-tone	Hooking	Hands-free capability	Package
BU8329 BU8329F	2.0~5.5	10 / 20	67	32	OT : 3×16, TT : 10×16	○	○	○	○	○	DIP22 SOP24
BU8330	2.0~5.5	10	60	32+32	OT : 3×16, TT : 10×16	○	○	○	○		DIP22
BU8331	2.0~5.5	10 / 20	67	32+32	OT : 3×16, TT : 10×16	○	○	○	○		DIP22

## ● Absolute maximum ratings (Ta=25°C)

Parameter	Symbol	Limits	Unit	Conditions
Power supply voltage	V <sub>DD</sub>	7.0	V	
Input voltage	V <sub>IN</sub>	V <sub>SS</sub> -0.3~V <sub>DD</sub> +0.3	V	* 1
Output voltage 1	V <sub>OUT1</sub>	V <sub>SS</sub> -0.3~V <sub>DD</sub> +0.3	V	* 2
Output voltage 2	V <sub>OUT2</sub>	V <sub>SS</sub> -0.3~7.0	V	* 3
Power dissipation	Pd	600 (DIP22)	mW	* 4
		450 (SOP24)		* 5
Operating temperature	T <sub>stg</sub>	-55~125	°C	
Storage temperature	T <sub>opr</sub>	-10~60	°C	

\* 1 Applied to the following pins: R1 to R4, C1 to C5, HF1, MODE, OSC1, HKS.

\* 2 Applied to the OSC0, KEYTONE, DTMF, PO, and HFO pins.

\* 3 Applied to the MUTE pin.

\* 4 Reduced by 6 mW for each increase in Ta of 1°C over 25°C (22-pin DIP).

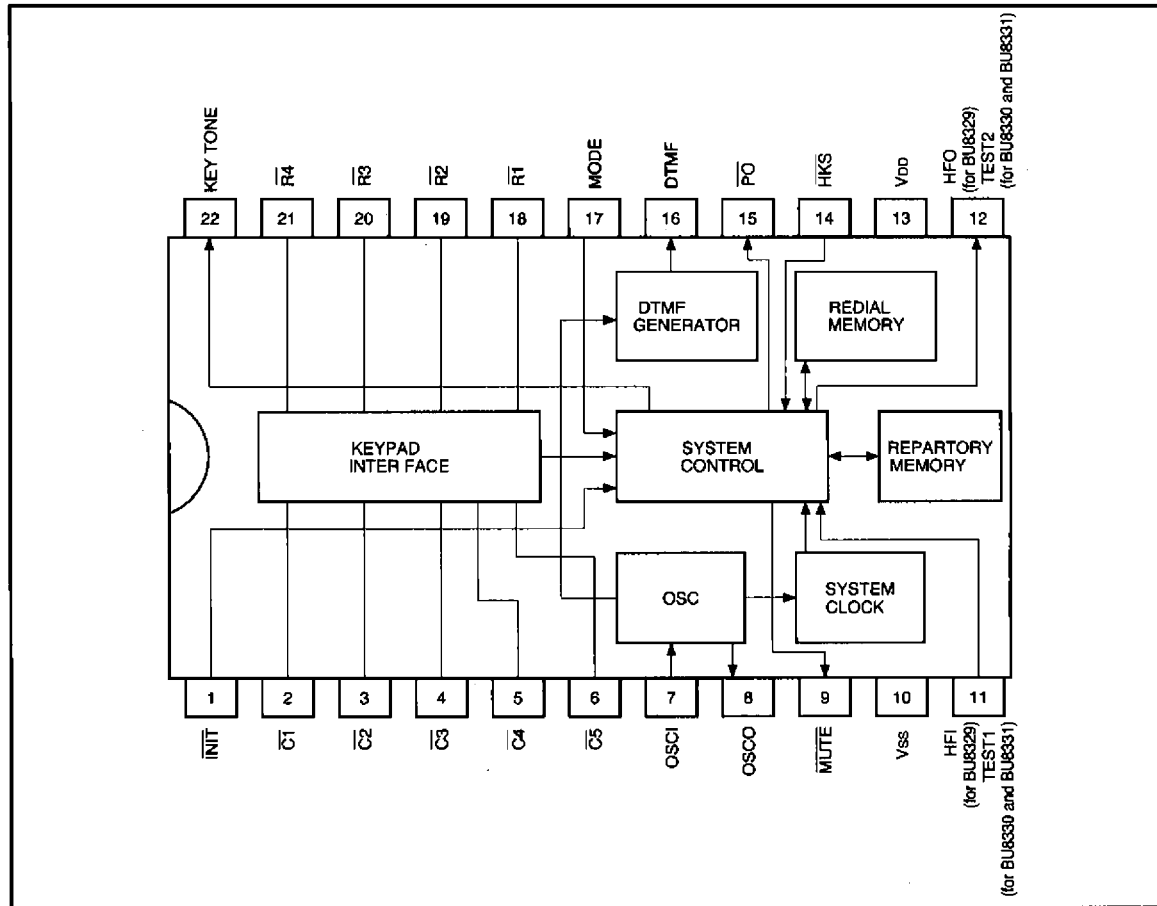
\* 5 Reduced by 4.5 mW for each increase in Ta of 1°C over 25°C (24-pin SOP).

## ● Recommended operating conditions (Ta=25°C)

Parameter	Symbol	Min.	Typ.	Max.	Unit	Conditions
Power supply voltage	V <sub>DD</sub>	2.0	—	5.5	V	
Power supply voltage	V <sub>DD</sub>	1.0	—	5.5	V	When memory retention
Oscillation frequency	f <sub>osc</sub>	—	3.579545	—	MHz	*
"H" Input voltage	V <sub>H</sub>	0.8 V <sub>DD</sub>	—	V <sub>DD</sub>	V	
"L" Input voltage	V <sub>L</sub>	0	—	0.2 V <sub>DD</sub>	V	
DTMF pin load resistance	R <sub>MF</sub>	10	—	—	kΩ	Load resistance connected between DTMF and V <sub>SS</sub>
Key contact resistance	R <sub>Kc</sub>	—	—	10	kΩ	Keypad contact resistance
Key contact capacitance	C <sub>Kc</sub>	—	—	470	pF	Capacitance connected between R <sub>x</sub> , C <sub>x</sub> and V <sub>SS</sub>
MODE IN pin resistance	R <sub>MI</sub>	10	—	—	kΩ	

\* Recommended product: CST3.58MGW300GAB by Murata

●Block diagram



Telephones            Pulse tone dialer

Communication ICs

BU8329/BU8329F/BU8330/BU8331

●Pin descriptions

Pin No.		Pin name	Function
DIP package	SOP package		
18~21 2~6	1, 2 4, 5 8~12	$\overline{R1} \sim \overline{R4}$ $\overline{C1} \sim \overline{C5}$	Keypad input pins. 5 × 4 keypad can be connected. In order to enable keypad input, single - $\overline{R_x}$ and single - $\overline{C_x}$ must be short-circuited, or set at "L" level simultaneously. Keypad input will be disabled when two keys or more are pressed simultaneously. When HKS is H, both $\overline{R_x}$ and $\overline{C_x}$ will output "L" level. When HKS is stopped at "L," $\overline{R_x}$ will output "L" level and $\overline{C_x}$ output "H" level.
7, 8	13, 15	OCSI OSCO	Input and output pins of the built-in oscillator. Connect a ceramic oscillator of 3.579545 MHz between OSCI and OSCO. When using ceramics other than capacity built-in types, connect the oscillator of 30 pF to each $V_{SS}$ .
9	16	MUTE	Mute output pin. Nch open drain. When dial pulses or DTMF signals are output, "L" level is attained, otherwise remains at "Z" level.
14	21	HKS	Hook switch input terminal. On hook state at "H" level, hook off state at "L" level.
15	22	$\overline{PO}$	Pulse output pin. CMOS output. Outputs dial pulse in response to key input done in pulse mode. Goes to "L" level when brake, brush, or standby mode. Otherwise goes to "H" level.
16	23	DTMF	DTMF signal output pin. Outputs DTMF signal in response to key input done in tone mode. With memory dial, redial, and fast key input, correction is carried out between 100 ms output time and 106 ms interdigital pause. Real time transfer continues while key is pressed down. Goes to "L" level except during DTMF signal output.
17	24	MODE	Mode switch input terminal. With BU8330 Goes to tone mode at "L" level, and to pulse mode at "H" level (10 pps). Goes to tone mode even at "H" level when * / T is input. With BU8329, BU8331 Goes to tone mode at "L" level, to pulse mode at "H" level (10 pps), and pulse mode at "Z" level. Goes to tone mode even at "H" or "Z" level when * / T is input.
22	6	KEY TONE	Key tone output pin. Outputs 1.16 KHz (duty 50%), 30 ms key tone in response to effective key input. Does not produce output in tone mode.
11	18	HFI (with BU8329)	Hands-free input terminal. Toggle between HFI ON and HFI OFF by rise edge input. Employs Schmidt trigger, so external resistance pull-down resistor (100 k $\Omega$ ) is built in.
		TEST1 (with BU8330, BU8331)	Test pin. Do not connect anything to this pin.
12	19	HFO (with BU8329)	Hands-free output terminal. Goes to "L" level with HFO off, and to "H" level with HFO on. For further information, see "On-Hook Dial Control Function, Hold Control Function".
		TEST2 (with BU8330, BU8331)	Test pin. Do not connect anything to this pin.
1	7	$\overline{INIT}$	Reset input pin. Should generally be used open. Is reset when "L" level is input. Built-in pull-up resistor (80 k $\Omega$ )
13	20	$V_{DD}$	$V_{DD}$ input terminal.
10	17	$V_{SS}$	$V_{SS}$ input terminal.
—	3, 14	NC	Not connected internally.

● Pin descriptions

Pin Name	I/O	I/O Circuit	Notes
$\overline{R1} \sim \overline{R4}$	Input/output		
$\overline{C1} \sim \overline{C5}$	Input/output		
HFO	Output		
$\overline{PO}$	Output		
KEYTONE	Output		
$\overline{MUTE}$	Output		
DTMF	Output		
$\overline{INIT}$	Input		Hysteresis input; internal pull-up resistance of 80kΩ

Telephones Pulse tone dialer

Pin Name	I/O	I/O Circuit	Notes
OSCI	Input		
OSCO	Output		
HKS	Input		Hysteresis input
HFI	Input		Hysteresis input; internal pull-down resistance of 100kΩ
MODE	Input		Tertiary input

\* There are no HFI or HFO pins in the BU8330 or BU8331.

●Electrical characteristics (Unless otherwise noted : Ta=25°C, V<sub>DD</sub>=2.5V)

Parameter	Symbol	Min.	Typ.	Max.	Unit	Conditions
Operating current 1	I <sub>DD1</sub>	—	0.2	0.5	mA	Pulse mode, no output load
Operating current 2	I <sub>DD2</sub>	—	0.7	2.0	mA	Tone mode, no output load
Operating current 3	I <sub>DD3</sub>	—	—	2.0	μA	Memory retention time
$\overline{\text{HKS}}$	Input current HIGH	I <sub>IH</sub>	—	—	1.0	μA
	Input current LOW	I <sub>IL</sub>	—	—	-1.0	μA
Keypad input	Sink current	I <sub>SK</sub>	0.2	0.4	—	mA V <sub>i</sub> =V <sub>DD</sub>
	Source current	I <sub>SK</sub>	—	-10	-30	μA V <sub>i</sub> =V <sub>SS</sub>
$\overline{\text{PO}}$	Sink current	I <sub>SP</sub>	0.2	—	—	mA V <sub>o</sub> =0.5V
	Source current	I <sub>SP</sub>	-0.2	—	—	mA V <sub>o</sub> =2.0V
HFO	Sink current	I <sub>SH</sub>	1.0	—	—	mA V <sub>o</sub> =0.5V
	Source current	I <sub>SH</sub>	-1.0	—	—	mA V <sub>o</sub> =2.0V
$\overline{\text{MUTE}}$	Sink current	I <sub>SM</sub>	1.0	—	—	mA V <sub>o</sub> =0.5V
	Source current	I <sub>SM</sub>	—	—	1.0	μA V <sub>o</sub> =7.0V
KEY TONE	Sink current	I <sub>ST</sub>	0.2	—	—	mA V <sub>o</sub> =0.5V
	Source current	I <sub>ST</sub>	-0.2	—	—	mA V <sub>o</sub> =2.0V
HFI pull-down resistance	BU8329	R <sub>HFI</sub>	—	100	—	kΩ
Key debounce time		t <sub>DB</sub>	—	20	—	ms
Pulse rate	ALL TYPE	PR1	—	10	—	pps MODE=H
	BU8330, BU8331 only	PR2	—	20	—	pps MODE=Z
Make break ratio	BU8329	MB	—	40 : 60	—	% MODE=H
	BU8330, BU8331		—	33 : 66	—	
Pre-digital pause		t <sub>DP</sub>	—	40	—	ms MODE=H
Inter-digital pause	BU8329	t <sub>DP</sub>	—	800	—	ms MODE=H
	BU8330, BU8331	t <sub>DP1</sub>	—	800	—	ms MODE=H
		t <sub>DP2</sub>	—	500	—	ms MODE=Z
Tone output time		t <sub>T</sub>	—	100	—	ms MODE=L
Tone inter-digital pause		t <sub>TP</sub>	—	106	—	ms MODE=L
Pause time		t <sub>PA</sub>	—	3.6	—	sec
P→T wait time		t <sub>PT</sub>	—	3.6	—	sec
Flash time		t <sub>F</sub>	—	600	—	ms
Flash pause time		t <sub>FP</sub>	—	0.2	—	sec
Tone output cycle variation		Δf	—	—	0.15	% MODE=L
Tone output voltage, ROW		V <sub>OR</sub>	130	155	180	mV <sub>rms</sub> MODE=L
Tone output voltage, COL		V <sub>OC</sub>	163	195	227	mV <sub>rms</sub> MODE=L
High band pre-emphasis		P <sub>EB</sub>	1.0	2.0	3.0	dB MODE=L
Tone output distortion		DIS	—	5.0	10.0	% MODE=L
Pre-tone pause		t <sub>PTP</sub>	—	20	—	ms MODE=L

Pulse tone dialer

Telephones

●Measurement circuit

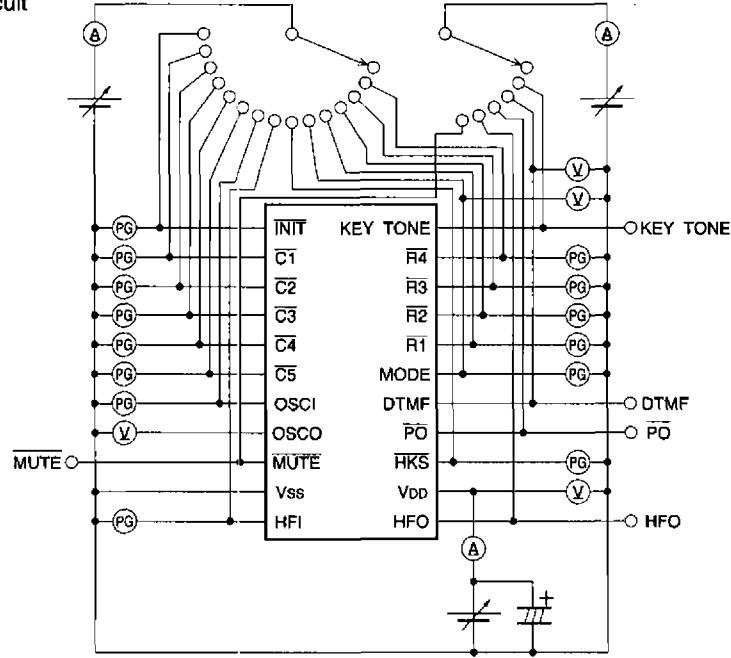


Fig. 1

●Circuit operation

Keypad matrix

R1	1	2	3	SAVE	EM1
R2	4	5	6	F	EM2
R3	7	8	9	AUTO	EM3
R4	* / T	0	#	RD / P	ST
	C1	C2	C3	C4	C5

Keyboard functions

0 to 9

These are numeric keys, and dial signals are sent when one of these keys is pressed.

When these are used in combination with the **ST** and **AUTO** keys, they can be used to specify a location in the 2-touch memory.

#

In tone mode, when this key is pressed, the corresponding DTMF signal is sent.

RD/P

This is the redial pause key. If it is the first key pressed after redialing, the last number dialed is redialed, and when it is the second or subsequent

**SAVE**

key pressed after redialing, it serves as a pause key.

This is the save key. It is used to write data to and read data from the memory.

\* / T

This is used to switch from pulse mode to tone mode. In tone mode, pressing the \* key causes the corresponding DTMF signal to be transmitted.

**ST**

This is used to write data to the 1-touch and 2-touch memories.



- AUTO** This is used to read data from the 2-touch memory.
- F** This is the flash key.
- EM1** to **EM3** These are used to write data to and read data from the 1-touch memory.

The BU8239 does not have a SAVE key.

●Key operation : Example 1 (BU8330 and BU8331)

Item	Key sequence	Dial output	Memory contents
<b>Normal dialing</b>			
Pulse mode	MODE=H ↑ D1 ... Dn ↓	D1 ... Dn	Redial = D1 ... Dn
Tone mode	MODE=L ↑ D1 ... Dn ↓	<u>D1 ... Dn</u>	Redial = T D1 ... Dn
<b>Mixed dialing</b>			
MODE pin	MODE=H ↑ D1 ... Di (MODE ↓) Di+1 ... Dn ↓	D1 ... Di (tPT) <u>Di+1 ... Dn</u>	Redial = D1 ... Di T Di+1 ... Dn
T/* key	MODE=H ↑ D1 ... Di T / * Di+1 ... Dn ↓	D1 ... Di (tPT) <u>Di+1 ... Dn</u>	Redial = D1 ... Di T Di+1 ... Dn
<b>Redial</b>			
	↑ D1 ... Di T / * Di+1 ... Dn ↓ ↑ RD / P	D1 ... Di (tPT) <u>Di+1 ... Dn</u> D1 ... Di (tPT) <u>Di+1 ... Dn</u>	Redial=D1 ... Di T Di+1 Redial=D1 ... Di T Di+1
<b>Memory writing</b>			
1-touch memory	↑ ST D1 ... Dn (ST) EMI ↓	—	EMi=D1 ... Dn
2-touch memory	↑ ST D1' ... Dn' ST Ln ↓	—	Ln=D1' ... Dn'
<b>Memory reading</b> (Memory contents for memory writing)			
1-touch memory	↑ EMI ↓	D1 ... Dn	Redial = D1 ... Dn
2-touch memory	↑ AUTO Ln ↓	D1' ... Dn'	Redial = D1' ... Dn'
<b>Continuous reading</b>			
	↑ EMI AUTO Ln ↓	D1 ... Dn · D1' ... Dn'	Redial = D1 ... Dn / D1' ... Dn'
<b>Flash</b>			
	↑ D1 ... Dn F D1' ... Dn' ↓	D1 ... Dn (tF, tFP) D1' ... Dn'	Redial = D1' ... Dn'
<b>Pause</b>			
Normal dialing	↑ D1 ... Di RD / P Di+1 ... Dn ↓	D1 ... Dn (tPA) Di+1 ... Dn	Redial=D1 ... Di · P Di+1 ... Dn
Writing	↑ ST D1 ... Di RD / P Di+1 ... Dn ST Ln ↓	—	Ln=D1 ... Di P Di+1 ... Dn
<b>Legend</b>			
↑	: Off-hook	~~~~~	: DTMF output
↓	: On-hook	EMi	: 1-touch memory (i = 1, 2, 3)
(MODE ↓)	: MODE pin H → L	Ln	: 2-touch memory (n = 0 to 9)
.....	: Pulse output	tPT	: P → T wait time
		tPA	: Pause time
		tF	: Flash time
		tFP	: Flash pause time

Pulse tone dialer  
Telephones



●Timing charts

2. Tone mode timing chart

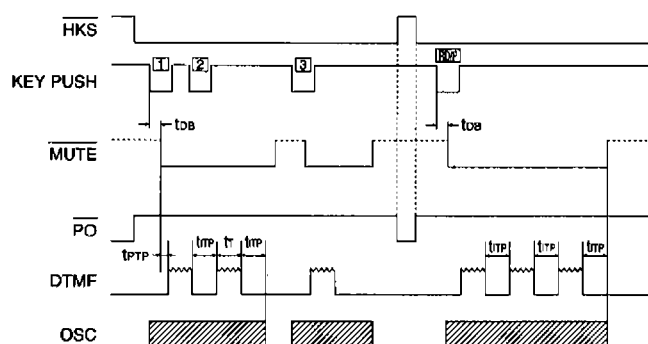


Fig. 4

3. Timing when mode is switched

3-1. Using \*//T

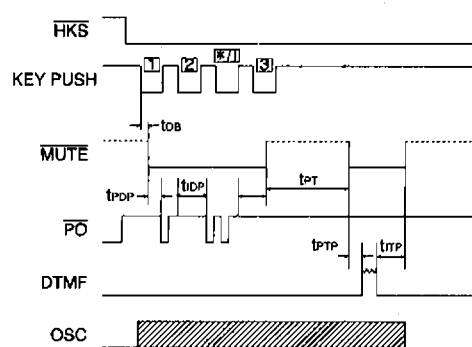


Fig. 5

3-2. Using MODE pin

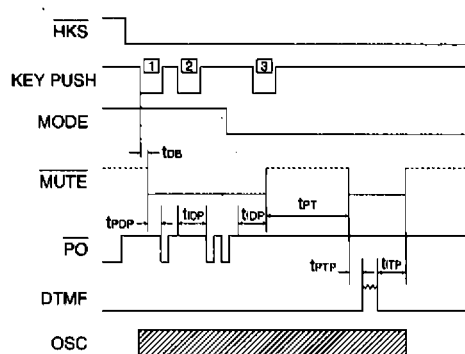


Fig. 6

4. Pause function timing chart

4-1. Pulse mode

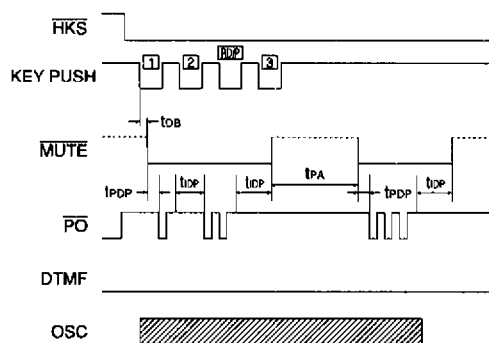


Fig. 7

4-2. Tone mode

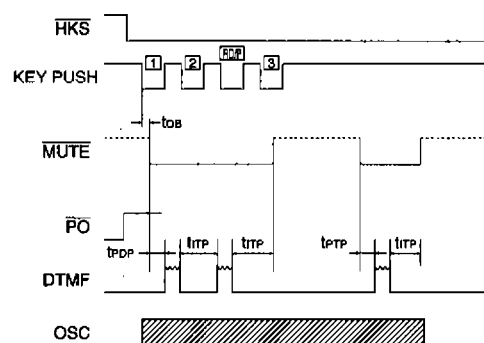


Fig. 8

Pulse tone diater  
Telephones

●Timing charts

5. Flash function timing chart

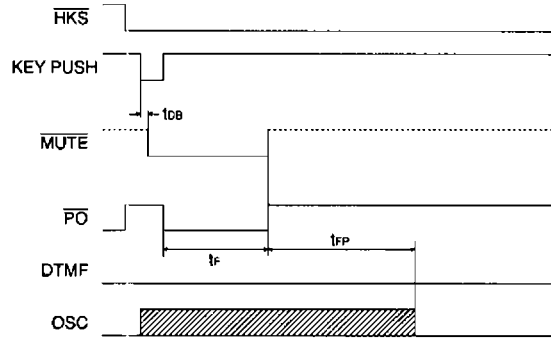


Fig. 9

●Electrical characteristic curves

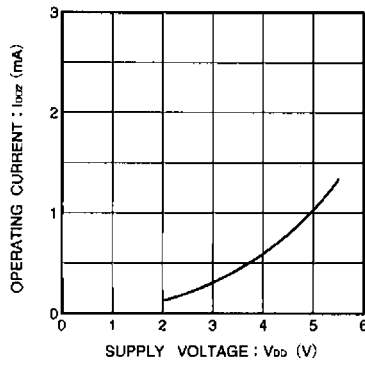


Fig. 10 Tone mode, operating current vs. supply voltage characteristic

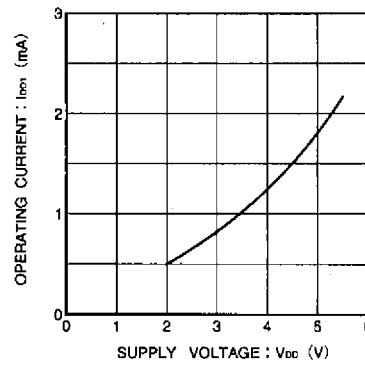


Fig. 11 Pulse mode, operating current vs. supply voltage characteristic

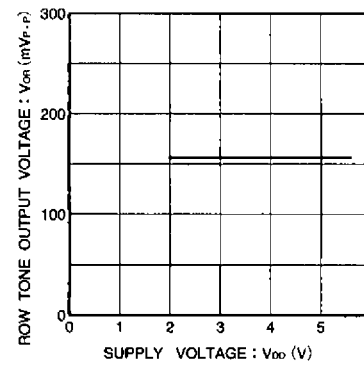


Fig. 12 ROW tone output voltage vs. supply voltage characteristic

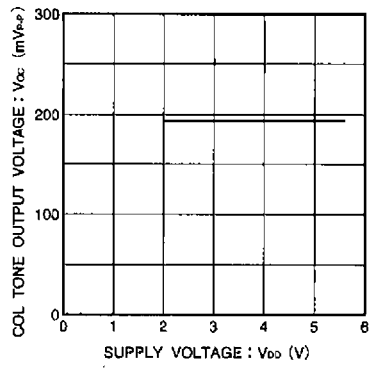
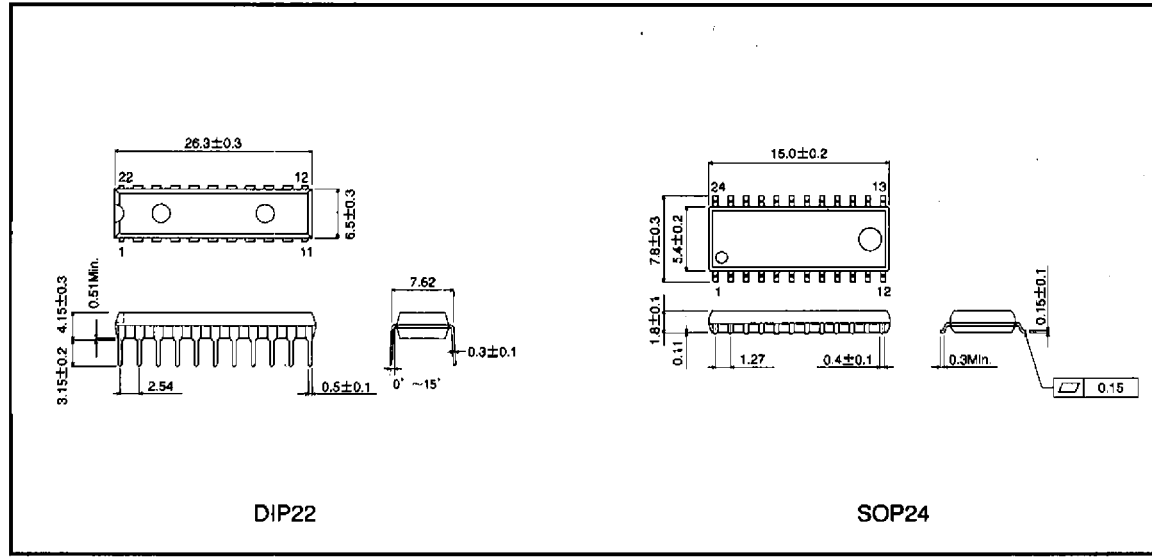


Fig. 13 COL tone output voltage vs. supply voltage characteristic

● External dimensions (Units: mm)



Pulse tone dialer

Telephones

## Notes

- The contents described in this catalogue are correct as of March 1997.
- No unauthorized transmission or reproduction of this book, either in whole or in part, is permitted.
- The contents of this book are subject to change without notice. Always verify before use that the contents are the latest specifications. If, by any chance, a defect should arise in the equipment as a result of use without verification of the specifications, ROHM CO., LTD., can bear no responsibility whatsoever.
- Application circuit diagrams and circuit constants contained in this data book are shown as examples of standard use and operation. When designing for mass production, please pay careful attention to peripheral conditions.
- Any and all data, including, but not limited to application circuit diagrams, information, and various data, described in this catalogue are intended only as illustrations of such devices and not as the specifications for such devices. ROHM CO., LTD., disclaims any warranty that any use of such device shall be free from infringement of any third party's intellectual property rights or other proprietary rights, and further, assumes absolutely no liability in the event of any such infringement, or arising from or connected with or related to the use of such devices.
- Upon the sale of any such devices; other than for the buyer's right to use such devices itself, resell or otherwise dispose of the same; no express or implied right or license to practice or commercially exploit any intellectual property rights or other proprietary rights owned or controlled by ROHM CO., LTD., is granted to any such buyer.
- The products in this manual are manufactured with silicon as the main material.
- The products in this manual are not of radiation resistant design.

The products listed in this catalogue are designed to be used with ordinary electronic equipment or devices (such as audio-visual equipment, office-automation equipment, communications devices, electrical appliances, and electronic toys). Should you intend to use these products with equipment or devices which require an extremely high level of reliability and the malfunction of which would directly endanger human life (such as medical instruments, transportation equipment, aerospace machinery, nuclear-reactor controllers, fuel controllers, or other safety devices) please be sure to consult with our sales representatives in advance.

- Notes when exporting
  - It is essential to obtain export permission when exporting any of the above products when it falls under the category of strategic material (or labor) as determined by foreign exchange or foreign trade control laws.
  - Please be sure to consult with our sales representatives to ascertain whether any product is classified as a strategic material.