

On-screen display for VCRs

BU2875/BU2875F/BU2857/BU2857F

The BU2875, BU2875F, BU2857 and BU2857F are character generator ICs for VCRs and televisions. The display RAM can store 12 lines \times 24 characters, and the on-chip character data ROM can store either 127 or 255 different characters. The characters are displayed in a 12 \times 18 bit matrix, with no space between characters, so two or more characters can be joined to form icons or patterns.

● Applications

VCRs

● Features

- 1) Compatible with NTSC, PAL, PAL-M, and PAL-N. A non-interlace mode is also provided.
- 2) Compatible with composite and S-VHS.
- 3) 127 character types (BU2875 and BU2875F) or 255 character types (BU2857 and BU2857F).
- 4) Color can be specified for each character. Reverse video display, blinking display, and "aluminum option" can be selected.
- 5) Built-in sync-tip clamp circuit.
- 6) Built-in synchronization decision circuit.

● Absolute maximum ratings (Ta=25°C)

Parameter	Symbol	Limits	Unit
Power supply voltage	V _{cc}	-0.3~7.0	V
Power dissipation	BU2875/BU2857	700 (DIP28)*1	mW
	BU2875F/BU2857F	550 (SOP28)*2	
Operating temperature	Topr	-20~75	°C
Storage temperature	Tstg	-50~150	°C
Pin voltages	—	-0.3~V _{cc} +0.3	V

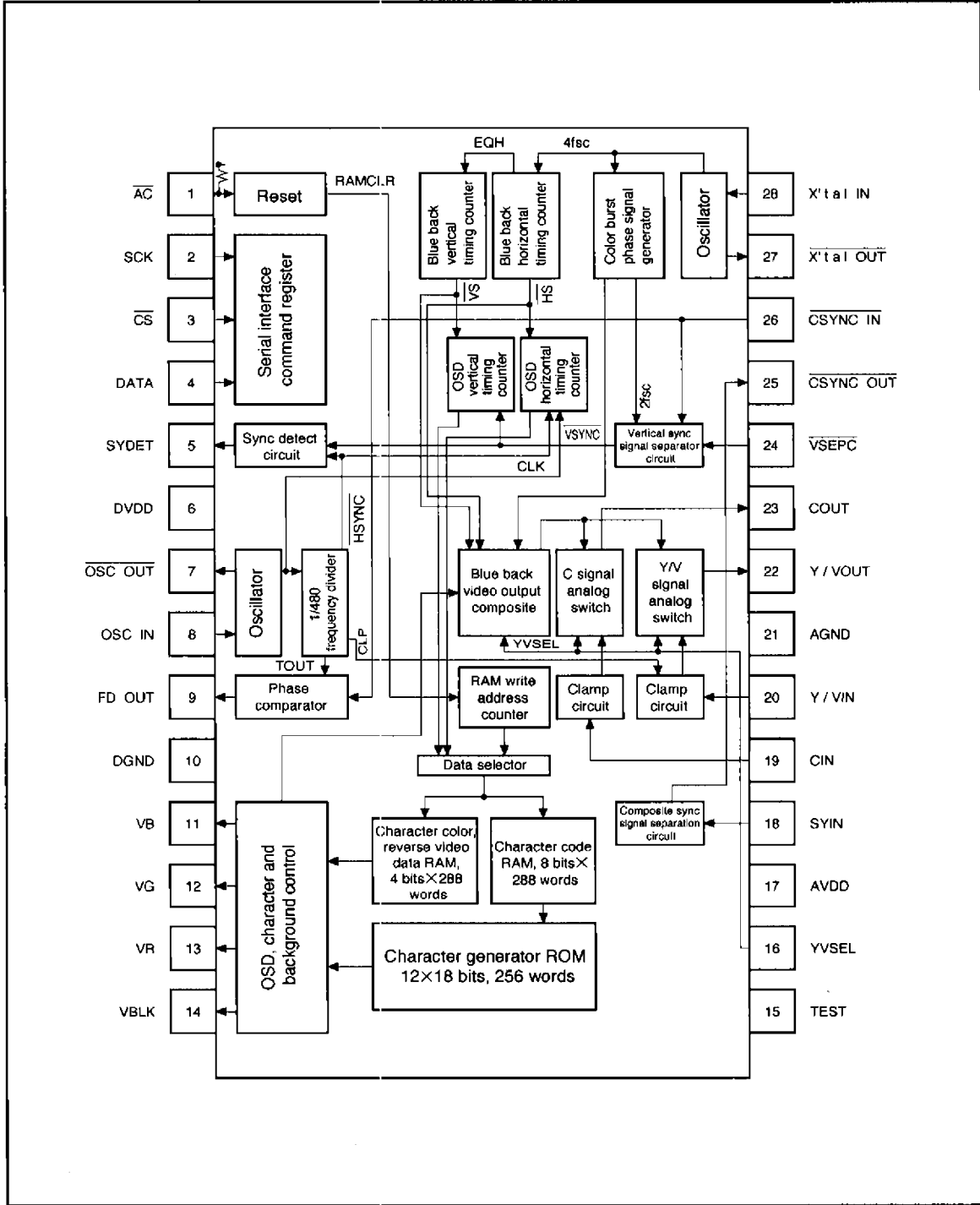
*1 Reduced by 7mW for each increase in Ta of 1°C over 25°C.

*2 Reduced by 5.5mW for each increase in Ta of 1°C over 25°C.

● Recommended operating conditions (Ta=25°C)

Parameter	Symbol	Min.	Typ.	Max.	Unit
Power supply voltage	V _{cc}	4.5	5.0	5.5	V
Input voltage	V _{in}	0	—	V _{cc}	V

●Block diagram



●Pin description

Pin No.	Input/output	Pin Name	Function
1	Input	\overline{AC}	"L" input resets all registers and clears the RAM. Pullup resistor on input.
2	Input	SCK	Clock input for reading data. Data on the DATA pin is read on the rising edge of the clock. Each block of 8 bits is loaded into the register as a command.
3	Input	\overline{CS}	Serial interface chip select. Data effective when "L".
4	Input	DATA	Control data input. Data is read synchronously with the rising edge of the signal on the CLK pin.
5	Output	SYDET	The synchronizing signal is used to determine the presence or absence of a video signal, and the result is output on this pin (sync detect). Normally "L", the output goes "H" when no signal is detected.
6	—	DVDD	+5V power supply pin (digital circuit).
7	Output	\overline{OSC} OUT	For connection of capacitor and coil for the VCO. Also used as the OSD character output dot clock. The oscillator frequency is 480Hz (1H: horizontal synchronization frequency).
8	Input	OSC IN	
9	Output	FDOUT	AFC circuit phase comparator output.
10	—	DGND	Connect to system ground (digital GND).
11	Output	VB*	B character data output of digital RGB output.
12	Output	VG*	G character data output of digital RGB output.
13	Output	VR*	R character data output of digital RGB output.
14	Output	VBLK	Background data digital output.
15	Input	TEST	Open during normal operation. When "H", the LC oscillator clock is output on pin 11, and the X'tal oscillator clock is output on pin 12. This is used to for checking the oscillation frequencies.
16	Input	YVSEL	For setting the mode of the video signal input/output pins. Set to "L" for separated Y/C, and "H" for composite video.
17	—	AVDD	+5V power supply pin (analog circuit).
18	Input	SYIN	Input for the video signal for the synchronous separation circuit.
19	Input	CIN	C signal input pin for Y/C separation input/output. Leave open when not used (select the mode using pin 16).
20	Input	YIN / VIN	Y signal pin for Y/C separation input/output or composite video signal input (select the mode using pin 16). Use an input level of 2V _{PP} .
21	—	AGND	Connect to system ground (analog GND).
22	Output	YOUT / VOUT	Y signal pin for Y/C separation input/output or composite video signal output (select the mode using pin 16).
23	Output	COUT	C signal output pin for Y/C separation input/output. Leave open when not used (select the mode using pin 16).
24	Input	\overline{VSEPC}	Input for external vertical synchronization signal. (open when not used). Logical sum of this and the internally separated vertical synchronization signal is taken.
25	Output	CSYNCOU \overline{T}	Output for composite synchronization signal (slicer output).
26	Input	$\overline{CSYNCOU}$	Input for composite synchronization signal. This is input to the AFC phase comparator and vertical synchronization signal separation circuit. Normally connected to pin 25.
27	Output	X'tal OUT	For connection of a capacitor for oscillation, or a crystal. For generation of internal video signal. Use a crystal oscillator with a frequency of 4fsc.
28	Input	X'tal IN	

* For superimposition, the VR, VG, and VB outputs display in monochrome.

On-screen displays

Multimedia video

●Function of the \overline{AC} pin

When the \overline{AC} pin is set to "L", all registers are cleared, and character code FFH is written to all RAM addresses (RAM clear function). For this reason, do not send commands until writing of data to the RAM is complete. The time requires to write the data to the RAM is

$$3 / f_{osc} \times 288 \text{ [sec]}$$

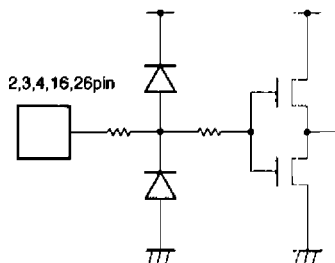
(f_{osc} : the LC oscillator frequency.)

●YVSEL setting

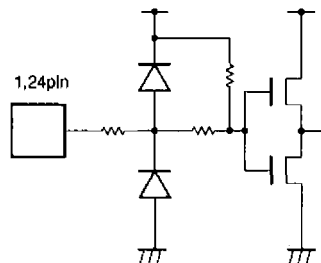
YVSEL	YIN / VIN YOUT / VOUT	CIN COUT
L	Y signal input/output	C signal input/output
H	Composite video signal input/output	Unused (open)

●Input / output circuits

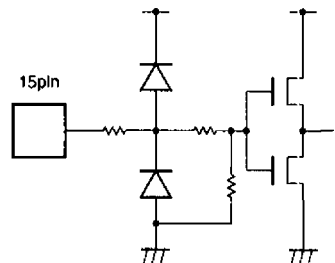
Inputs



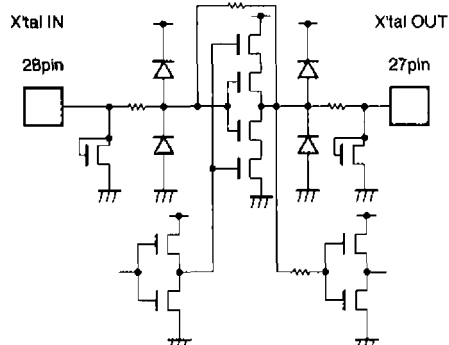
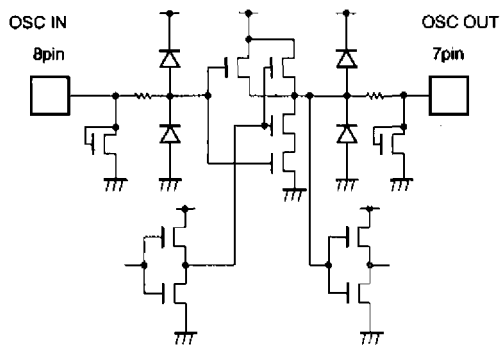
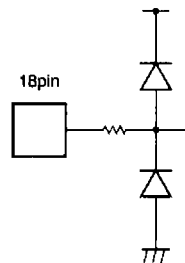
Input with pullup resistors



Input with pulldown resistors

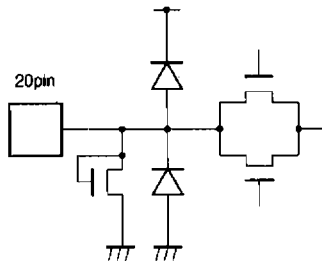


SYIN

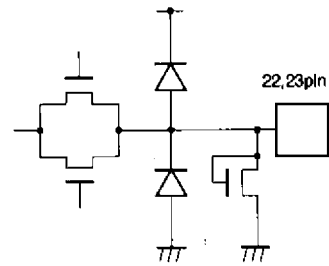


● Input / output circuits

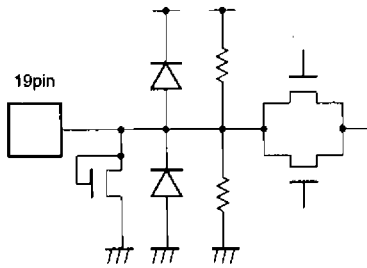
Y/V IN



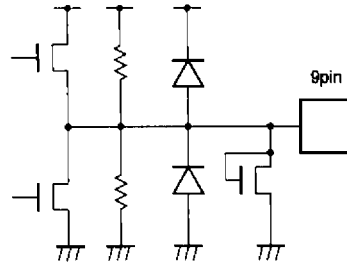
Y/V OUT, COUT



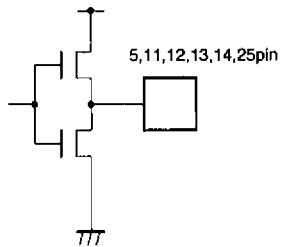
CIN



FD OUT



Outputs



Multimedia video On-screen displays

●Electrical characteristics (Unless otherwise specified: Ta=25°C and V_{DD}=5V)

Parameter	Symbol	Min.	Typ.	Max.	Unit	Conditions	Measurement Circuit
"L" input voltage	V _{IL2}	0	—	1.5	V	For CMOS input	Fig.3
"H" input voltage	V _{IH2}	3.5	—	V _{DD}	V	For CMOS input	Fig.3
"L" output voltage	V _{OL1}	—	—	0.4	V	For OSC *1	Fig.1
"H" output voltage	V _{OH1}	4.6	—	—	V	For OSC *1	Fig.2
"L" output voltage	V _{OL2}	—	—	0.4	V	I _{OL} ≤ 2mA (CMOS output)	Fig.1
"H" output voltage	V _{OH2}	4.6	—	—	V	I _{OH} ≤ 1mA (CMOS output)	Fig.2
Video signal input level	V _{VI}	—	—	—	V _{P-P}	Pins 18 and 20 (when white peak) *2	—
Video signal output level	V _{VO}	—	1.85	—	V _{P-P}	Pin 22 (when white peak) *3	Fig.5
C signal input level	V _{CI}	—	1.4	3.0	V _{P-P}	19pin *2	—
C signal output level	V _{CO}	—	1.4	—	V _{P-P}	23pin *3	Fig.5
LC oscillator frequency	f _{OSC}	—	480f _H	—	MHz	f _H : horizontal synchronization signal frequency	—
Input pullup resistance	I _{IR}	—	28	—	kΩ	Pullup input	Fig.3
Operating current	I _{DS}	—	—	25	mA	*4	Fig.4

*1 When an external clock is connected to the oscillator pin (50% duty cycle).

*2 Signal level of the externally input signal in external synchronization mode (superimpose).

*3 Signal level of the internally generated signal in internal synchronization mode.

*4 All characters displayed with f_{OSC} = 7.55MHz.

⊙Not designed for radiation resistance.

● Measurement circuits

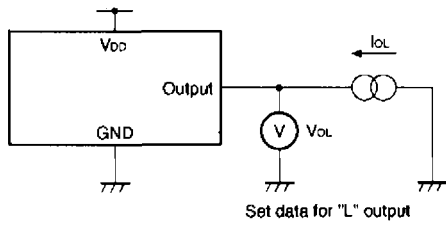


Fig. 1 "L" output voltage measurement circuit

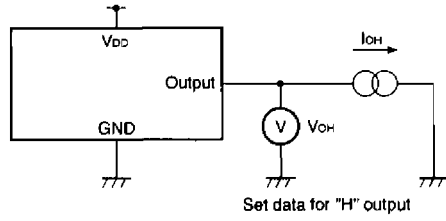


Fig. 2 "H" output voltage measurement circuit

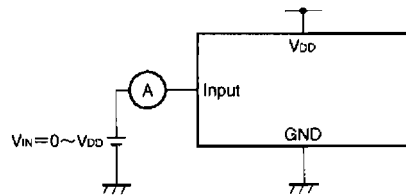


Fig. 3 Input voltage measurement circuit

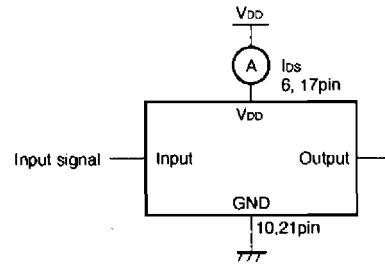


Fig. 4 Operating current measurement circuit

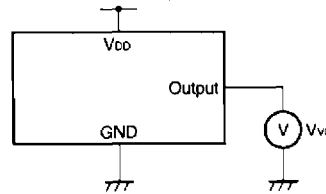


Fig. 5 Video signal output voltage measurement circuit

On-screen displays

Multimedia video

● Application example

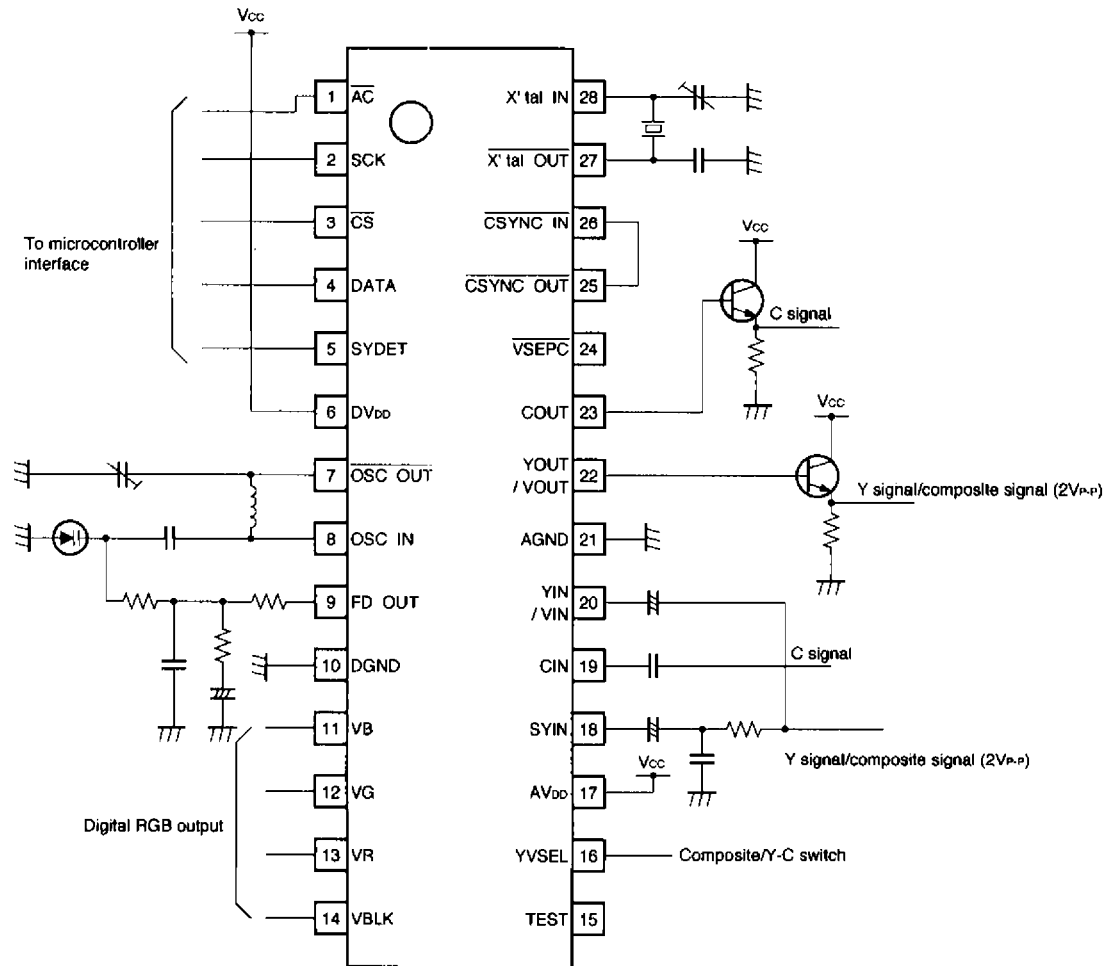
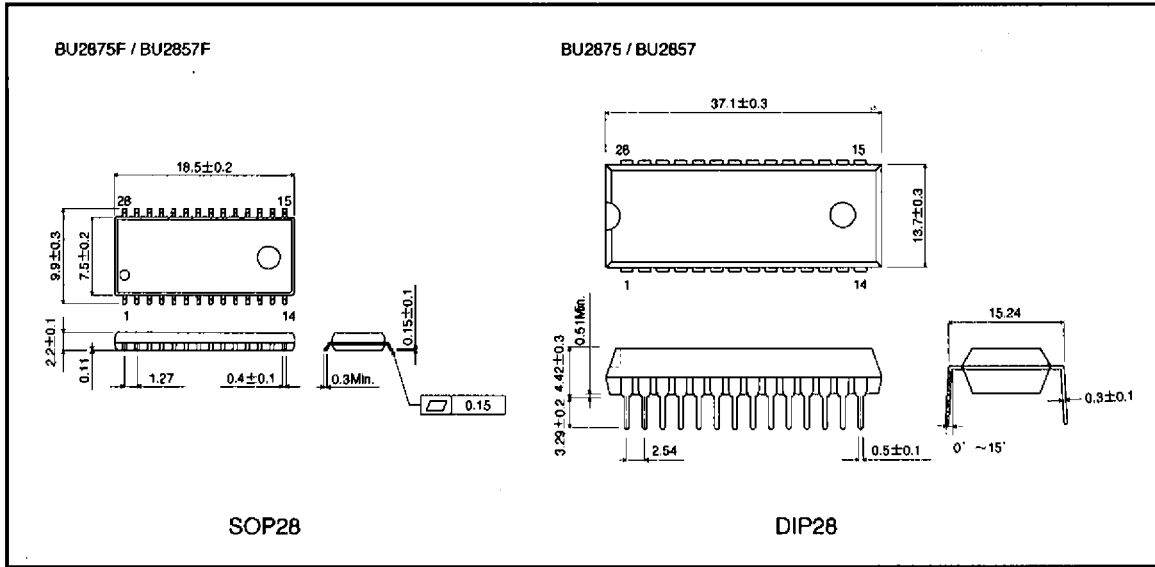


Fig. 6

● External dimensions (Units: mm)



On-screen displays

Multimedia video

Notes

- The contents described in this catalogue are correct as of March 1997.
- No unauthorized transmission or reproduction of this book, either in whole or in part, is permitted.
- The contents of this book are subject to change without notice. Always verify before use that the contents are the latest specifications. If, by any chance, a defect should arise in the equipment as a result of use without verification of the specifications, ROHM CO., LTD., can bear no responsibility whatsoever.
- Application circuit diagrams and circuit constants contained in this data book are shown as examples of standard use and operation. When designing for mass production, please pay careful attention to peripheral conditions.
- Any and all data, including, but not limited to application circuit diagrams, information, and various data, described in this catalogue are intended only as illustrations of such devices and not as the specifications for such devices. ROHM CO., LTD., disclaims any warranty that any use of such device shall be free from infringement of any third party's intellectual property rights or other proprietary rights, and further, assumes absolutely no liability in the event of any such infringement, or arising from or connected with or related to the use of such devices.
- Upon the sale of any such devices; other than for the buyer's right to use such devices itself, resell or otherwise dispose of the same; no express or implied right or license to practice or commercially exploit any intellectual property rights or other proprietary rights owned or controlled by ROHM CO., LTD., is granted to any such buyer.
- The products in this manual are manufactured with silicon as the main material.
- The products in this manual are not of radiation resistant design.

The products listed in this catalogue are designed to be used with ordinary electronic equipment or devices (such as audio-visual equipment, office-automation equipment, communications devices, electrical appliances, and electronic toys). Should you intend to use these products with equipment or devices which require an extremely high level of reliability and the malfunction of which would directly endanger human life (such as medical instruments, transportation equipment, aerospace machinery, nuclear-reactor controllers, fuel controllers, or other safety devices) please be sure to consult with our sales representatives in advance.

- Notes when exporting
 - It is essential to obtain export permission when exporting any of the above products when it falls under the category of strategic material (or labor) as determined by foreign exchange or foreign trade control laws.
 - Please be sure to consult with our sales representatives to ascertain whether any product is classified as a strategic material.