

# VCR auto tracking interface

## BA7043FS

The BA7043FS is an auto tracking interface IC for VHS video cassette recorders that operates by detecting the playback RF signal. When FM audio or video signals are input, the IC outputs the peak detector output, the integrated waveform, or the peak hold voltage.

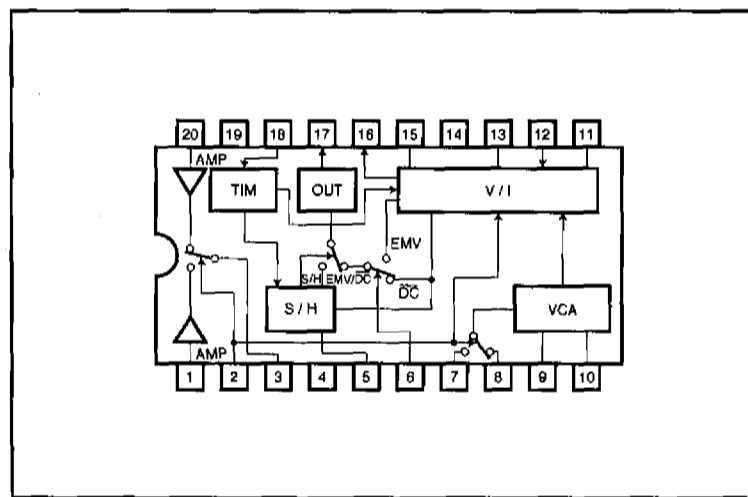
● Applications

VHS video cassette recorders

● Features

- 1) Reduces the load on the auto tracking microprocessor.
- 2) Internal switching and processing for audio and video FM signals.
- 3) Gain can be internally switched to suit the mode (video, audio, EP, or SP).
- 4) It is possible to integrate one frame, and sample and hold to output the peak value.
- 5) The output level is compressed to expand the dynamic range of the input.
- 6) Peak detection output and detection level down terminals provided.

● Block diagram



● Internal circuits

1pin

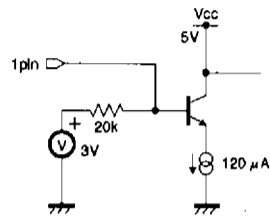


Fig.1

2pin

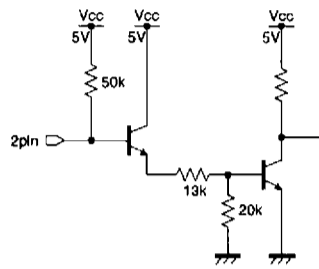


Fig.2

3pin

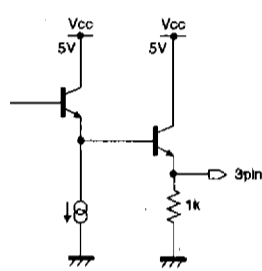


Fig.3

5pin

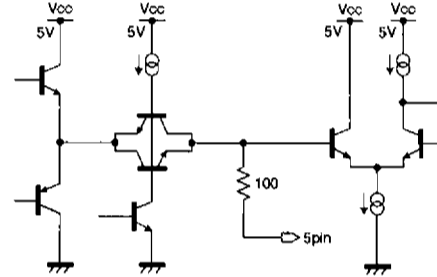


Fig.4

6pin

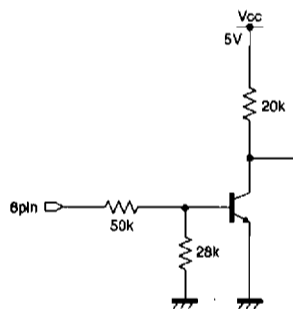


Fig.5

7pin

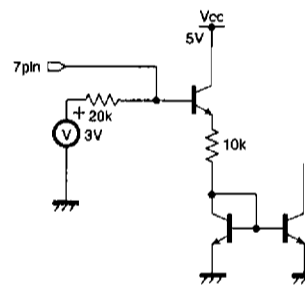


Fig.6

Auto tracking interface

VCR components

● Internal circuits

8pin

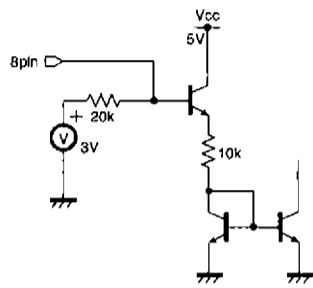


Fig.7

9pin

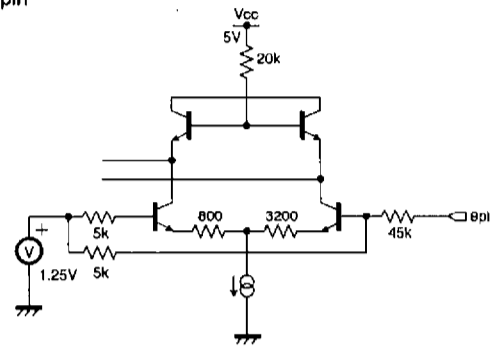


Fig.8

10pin

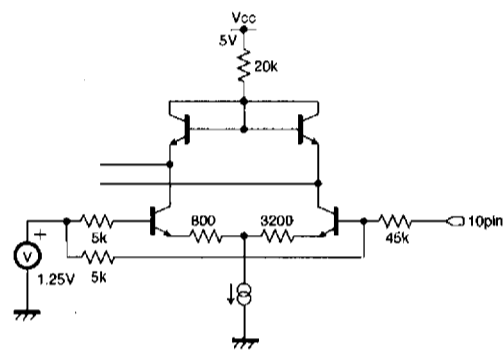


Fig.9

11pin

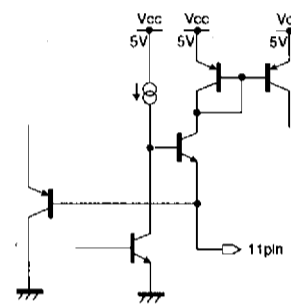


Fig.10

12pin

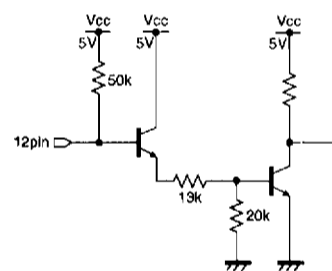


Fig.11

● Internal circuits

13pin

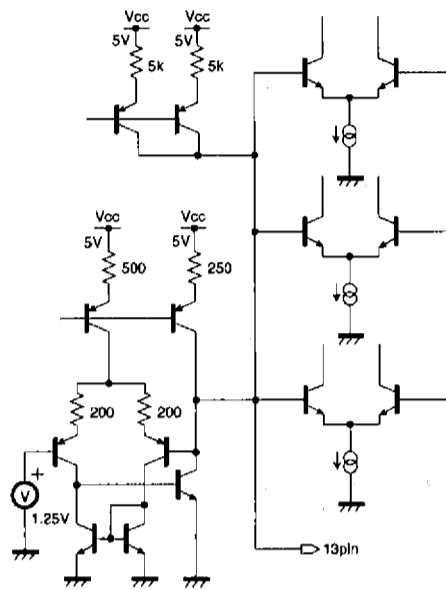


Fig.12

17pin

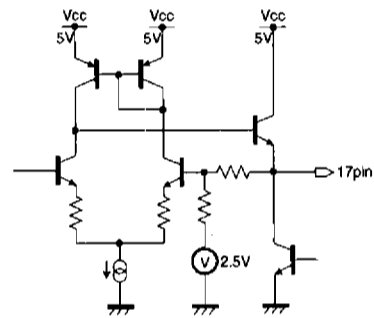


Fig.15

20pin

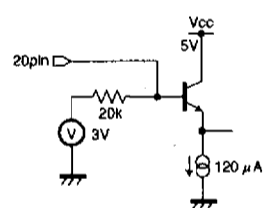


Fig.17

15pin

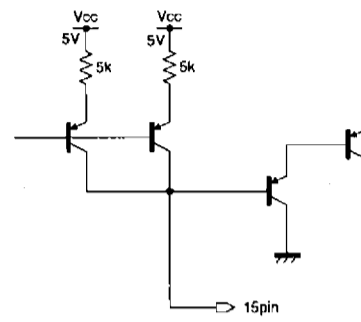


Fig.13

16pin

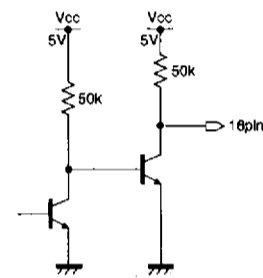


Fig.14

18pin

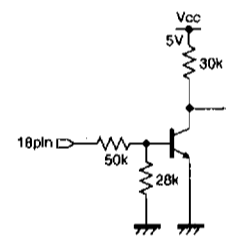


Fig.16

Auto tracking interface  
VCR components

## ● Absolute maximum ratings (Ta=25°C)

Parameter	Symbol	Limits	Unit
Power supply voltage	V <sub>CC Max.</sub>	8.0	V
Power dissipation	P <sub>d</sub>	750 *	mW
Operating temperature	T <sub>opr</sub>	-20~75	°C
Storage temperature	T <sub>stg</sub>	-55~125	°C

\* Reduced by 7.5mW for each increase in Ta of 1°C over 25°C.

## ● Recommended operating conditions (Ta=25°C)

Parameter	Symbol	Min.	Typ.	Max.	Unit
Recommended operating voltage	V <sub>CC</sub>	4.5	—	5.5	V

## ● Electrical characteristics (Unless otherwise specified Ta=25°C)

Parameter	Symbol	Min.	Typ.	Max.	Unit	Conditions	Measurement Circuit
Operating voltage	V <sub>CC</sub>	4.5	5.0	5.7	V		Fig.19
Circuit current consumption	I <sub>CC</sub>	10.0	18.2	33.0	mA		
Amplifier gain	G <sub>AMP</sub>	4.7	5.5	6.3	dB	V <sub>sig</sub> = 0.2V <sub>P-P</sub> , 4MHz, with load	
Amplifier frequency characteristic	f <sub>AMP</sub>	-3.0	-0.5	2.0	dB	V <sub>sig</sub> = 0.2V <sub>P-P</sub> , 1 to 6MHz, with load	
Amplifier maximum output amplitude	V <sub>A - Max.</sub>	1.8	2.3	—	V <sub>P-P</sub>	with load	
VCA voltage, GND	V <sub>VCA1</sub>	0.31	0.48	0.63	V	E <sub>0</sub> =0V, V <sub>sig</sub> =1.6V <sub>P-P</sub>	
VCA voltage, 1/2V <sub>CC</sub>	V <sub>VCA2</sub>	0.38	0.65	0.91	V	E <sub>0</sub> =2.5V, V <sub>sig</sub> =0.4V <sub>P-P</sub>	
VCA voltage, V <sub>CC</sub>	V <sub>VCA3</sub>	0.60	0.97	1.34	V	E <sub>0</sub> =5.0V, V <sub>sig</sub> =0.4V <sub>P-P</sub>	
Output voltage	V <sub>OUT</sub>	1.3	2.35	2.9	V	E <sub>0</sub> =2.5V, V <sub>sig</sub> =0.4V <sub>P-P</sub> , V-SP mode	
Droop voltage	V <sub>DLP</sub>	—	50	150	mV <sub>P-P</sub>	C=0.01 μF, T=5ms	
Saturation voltage	V <sub>F+</sub>	4.6	4.9	—	V	For integrated output waveform (plus peak)	
Residual voltage	V <sub>F-</sub>	—	0.1	0.4	V	For integrated output waveform (negative peak)	
Offset voltage	V <sub>DLP</sub>	—	0.1	0.4	V	No signal	
Control voltage	V <sub>CTL</sub>	1.0	2.0	3.0	V	2 (V / A), 12 (SP / EP), 6 (DC / EMV)	
Level down pin "L" voltage	V <sub>LL</sub>	—	0.1	0.4	V	E <sub>15</sub> ≤ 0.5V	
Level down pin "H" voltage	V <sub>LH</sub>	4.6	4.9	—	V	E <sub>16</sub> ≥ 1.1V	

C: Not designed for radiation resistance.

●Electrical characteristic curve

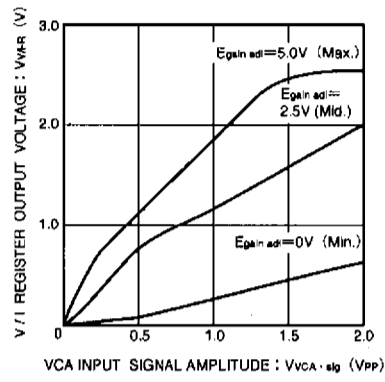


Fig. 18 V/I register output voltage vs VCA input signal amplitude

●Measurement circuit

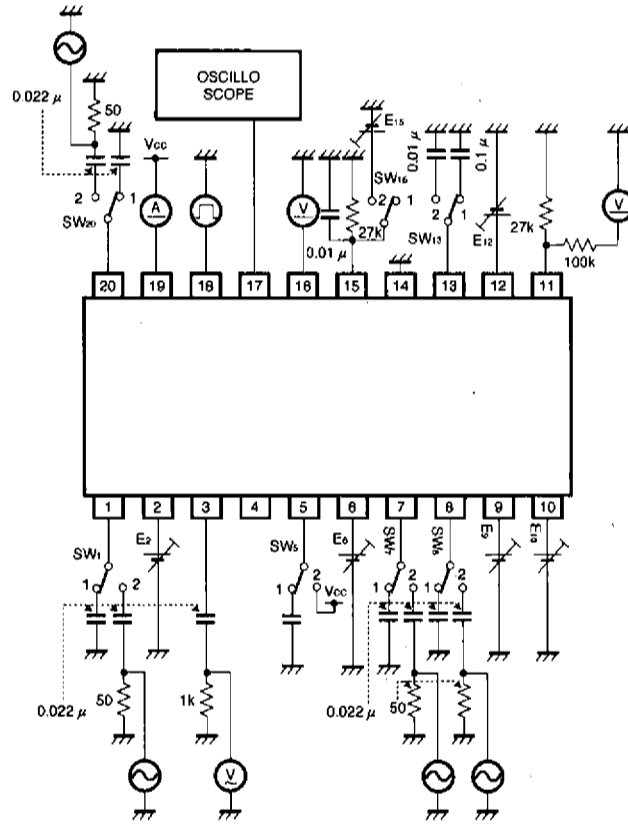


Fig.19

Auto tracking interface

VCR components

●Circuit operation

(1) Input amplifier

The audio and video FM signals are amplified by the 6dB amplifier. Use the audio/video switch signal to select which of these amplified signals will be output.

(2) VCA

By application of an external DC voltage, it is possible to increase the amplifier gain up to approximately 20dB.

(3) Detector and integrator circuit

The signal output from the VCA is selected by the audio/video switch, and the detected output is converted from a voltage to a current. The converted output can be adjusted using an external resistor. The gain is different for audio/video and EP/SP modes.

The current output from the voltage-to-current converter charges an external capacitor, and the detector output between consecutive rising edges of the drum switch signal (i.e. one frame) is integrated. The integrated output is sampled at the next rising edge of the drum switch signal, and is held for the next frame interval.

When the charging voltage exceeds the threshold value, the charging current is halved to compress the integrated output voltage.

The V/I current logic, and detector output, peak and hold and integrated output waveform switching are described below.

●V/I current logic (charging capacitor current vs. V/I register current)

	12 pin	L	H
2 pin	CTL	SP	EP
L	Audio	X2*	X2*
H	Video	X1*	X2*

\* These values are for reference only.

●Detector output, peak hold and integrated output switching

- a) When CTL pin 6 is high the envelope voltage is output.
- b) When pin 5 is connected to a capacitor, the peak hold voltage of the integrated waveform is output.
- c) When pin 5 is connected to Vcc, the integrated output waveform is output.

The timing chart is shown in Fig. 20.

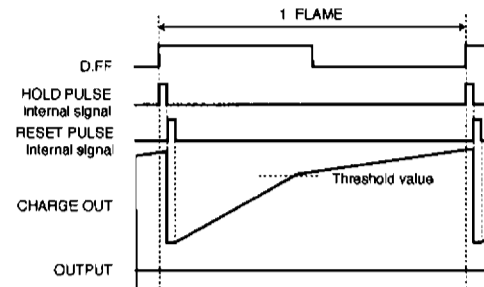


Fig.20

(4) Sample and hold, and output circuits

Sample and hold is done using the drum switching signal input as a reference. On the rising edge of the drum switching signal, the maximum level integrated in the previous frame is sampled, and held in the external hold capacitor.

The envelope output used for detection, and the comparator output for monitoring that level is also obtained.

(5) Charging capacitor and DC output characteristics  
When input is applied to the VCA Filter In pins (5 and 6), the detector voltage is converted to a current at the V/I register (pin9). This current is supplied to the charging capacitor (pin11). The charging capacitor and DC outputs characteristics are given in Fig.21.

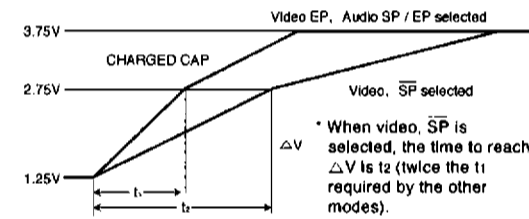


Fig.21 Charging capacitor voltage characteristic

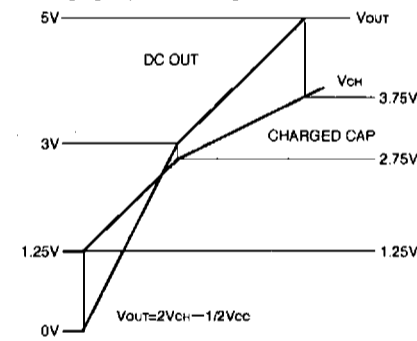


Fig. 22 Charging capacitor vs. DC output characteristic

\* These values are for reference only.

● Pin description

Pin No.	Function	Pin No.	Function
1	AUDIO FM IN	11	V/I REGISTER
2	VFM/AFM CTL	12	SP/EP GAIN CTL
3	AMP OUT	13	CHARGED CAPACITOR
4	NC	14	GND
5	HOLD CAPACITOR	15	EMV LEVEL ADJ.
6	DC/EMV CTL	16	EMV LEVEL DOWN
7	AUDIO FILTER IN	17	DC/EMV OUT
8	VIDEO FILTER IN	18	D·FF IN
9	VIDEO GAIN ADJ.	19	V <sub>CC</sub>
10	AUDIO GAIN ADJ.	20	VIDEO FM IN

● Operation notes

Set the V<sub>CA</sub> voltage to give a suitable output voltage and detection output level.

● Application example

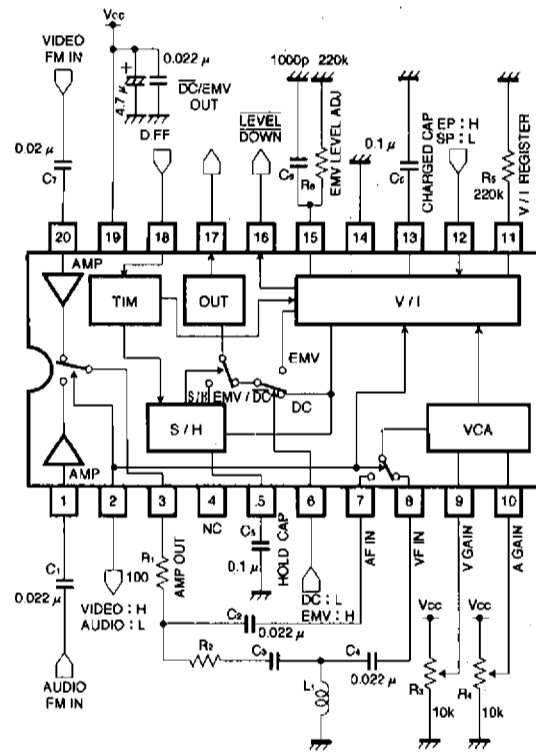
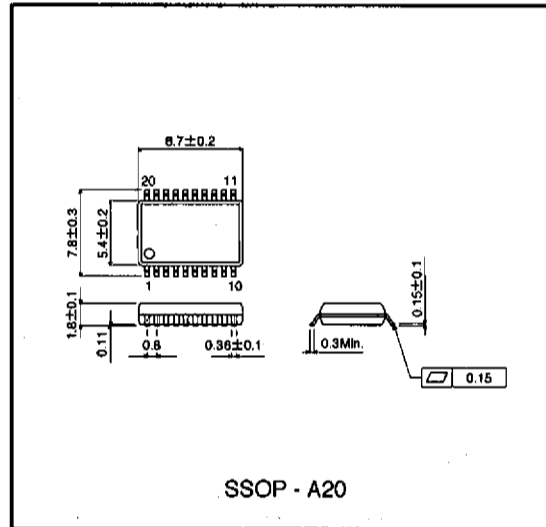


Fig.23

● External dimensions (Units: mm)



Auto tracking interface

VCR components



### Notes

- The contents described in this catalogue are correct as of March 1997.
- No unauthorized transmission or reproduction of this book, either in whole or in part, is permitted.
- The contents of this book are subject to change without notice. Always verify before use that the contents are the latest specifications. If, by any chance, a defect should arise in the equipment as a result of use without verification of the specifications, ROHM CO., LTD., can bear no responsibility whatsoever.
- Application circuit diagrams and circuit constants contained in this data book are shown as examples of standard use and operation. When designing for mass production, please pay careful attention to peripheral conditions.
- Any and all data, including, but not limited to application circuit diagrams, information, and various data, described in this catalogue are intended only as illustrations of such devices and not as the specifications for such devices. ROHM CO., LTD., disclaims any warranty that any use of such device shall be free from infringement of any third party's intellectual property rights or other proprietary rights, and further, assumes absolutely no liability in the event of any such infringement, or arising from or connected with or related to the use of such devices.
- Upon the sale of any such devices; other than for the buyer's right to use such devices itself, resell or otherwise dispose of the same; no express or implied right or license to practice or commercially exploit any intellectual property rights or other proprietary rights owned or controlled by ROHM CO., LTD., is granted to any such buyer.
- The products in this manual are manufactured with silicon as the main material.
- The products in this manual are not of radiation resistant design.

The products listed in this catalogue are designed to be used with ordinary electronic equipment or devices (such as audio-visual equipment, office-automation equipment, communications devices, electrical appliances, and electronic toys). Should you intend to use these products with equipment or devices which require an extremely high level of reliability and the malfunction of which would directly endanger human life (such as medical instruments, transportation equipment, aerospace machinery, nuclear-reactor controllers, fuel controllers, or other safety devices) please be sure to consult with our sales representative in advance.

- Note when exporting
  - It is essential to obtain export permission when exporting any of the above products when it falls under the category of strategic material (or labor) as determined by foreign exchange or foreign trade control laws.
  - Please be sure to consult with our sales representatives to ascertain whether any product is classified as a strategic material.