

# Dual preamplifier with ALC

## BA3308 / BA3308F

The BA3308 and BA3308F are dual preamplifier ICs with built-in ALC circuits, and have been designed for use in stereo radio-cassette recorders and tape recorders. They come in compact 9-pin SIP (BA3308) and 14-pin MF (BA3308F) packages, and have two record / playback preamplifiers, and an ALC circuit. The preamplifiers have high gain and low distortion, and can be directly coupled to the tape head without coupling capacitors. This prevents tape head magnetization and “pop” noise generation.

A built-in rectifier means that an ALC circuit with good channel balance and large dynamic range can be constructed with addition of just an external time constant circuit.

The ICs also include power-on mute circuits that suppress “pop” noise generation.

### ●Applications

Stereo radio cassette recorders, cassette decks and home stereo systems and music centers

### ●Features

- 1) Built-in ALC rectifier diode.
- 2) Wide operating power supply voltage range ( $V_{CC}=6.0V$  to  $14V$ )
- 3) Low current dissipation ( $I_C=3.5mA$ )
- 4) High gain ( $G_{VO}=80dB$ )
- 5) Low distortion (THD=0.1%)
- 6) Low noise ( $V_{NIN}=1\mu V_{rms}$ )
- 7) Input coupling capacitors and not necessary.
- 8) Good ALC channel balance.
- 9) Power-on mute circuit.
- 10) ALC dynamic range can be varied by the addition of an external input resistor.

### ●Absolute maximum ratings ( $T_a=25^\circ C$ )

Parameter	Symbol	Limits	Unit
Power supply voltage	$V_{CC}$	16	V
Power dissipation	BA3308	950 *1	mW
	BA3308F	450 *2	
Operating temperature	$T_{opr}$	-25 to +75	$^\circ C$
Storage temperature	$T_{stg}$	-55 to +125	$^\circ C$

\*1 Reduced by 9.5mW for each increase in  $T_a$  of  $1^\circ C$  over  $25^\circ C$ .

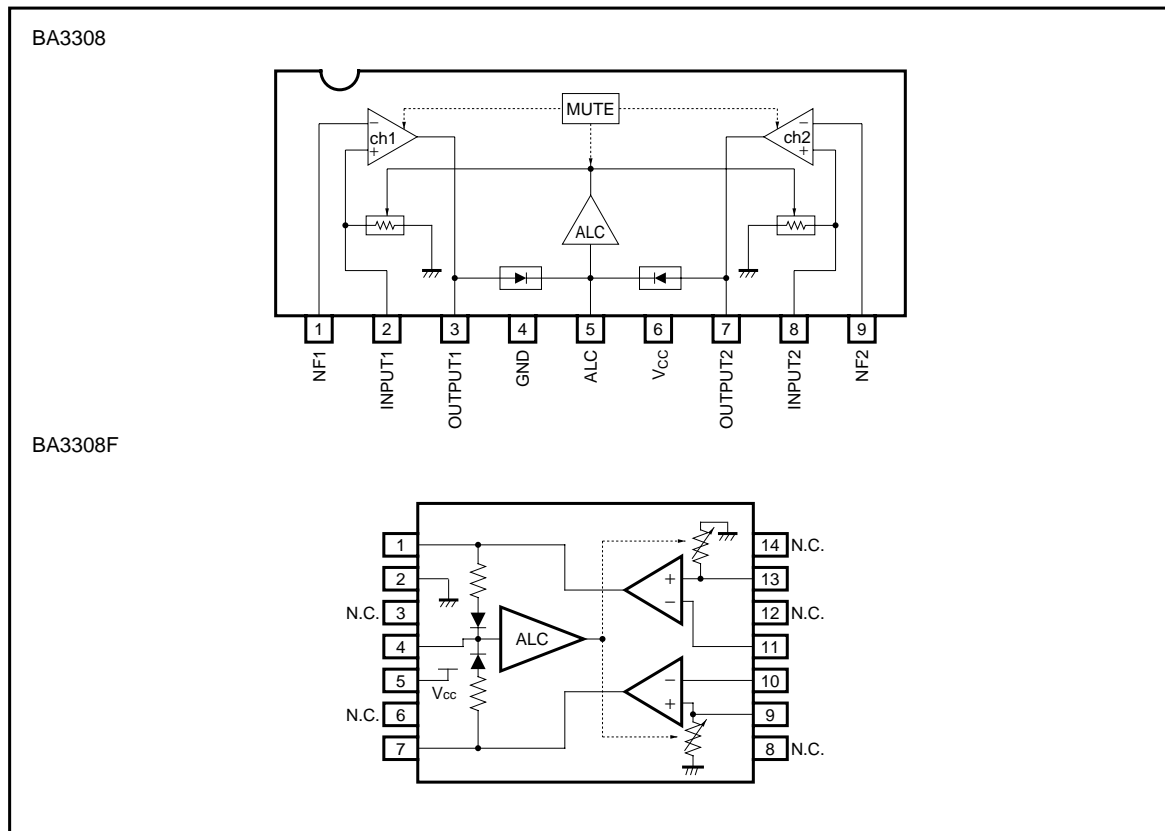
\*2 Reduced by 4.5mW for each increase in  $T_a$  of  $1^\circ C$  over  $25^\circ C$   
(when mounted on a  $70mm \times 70mm \times 1.6mm$  glass epoxy board).

### ●Recommended operating conditions ( $T_a=25^\circ C$ )

Parameter	Symbol	Min.	Typ.	Max.	Unit
Power supply voltage	$V_{CC}$	6.0	-	14	V

Audio ICs

●Block diagram



●Electrical characteristics (unless otherwise noted, Ta=25°C, Vcc=7.0V, f=1kHz and BPF: 20Hz~20kHz)

Parameter	Symbol	Min.	Typ.	Max.	Unit	Conditions
Quiescent current	I <sub>q</sub>	1.5	3.5	4.5	mA	V <sub>IN</sub> =0Vrms
Open loop voltage gain	G <sub>VO</sub>	70	80	–	dB	V <sub>OUT</sub> =–10dBV
Total harmonic distortion	THD	–	0.1	0.3	%	NAB34dB, V <sub>OUT</sub> =40mVrms
Input resistance	R <sub>IN</sub>	15	25	45	kΩ	–
Maximum output voltage	V <sub>OM</sub>	0.6	1.2	–	Vrms	THD=1%
Input conversion noise voltage	V <sub>NIN</sub>	–	1.0	2.0	μVrms	Conversion with R <sub>G</sub> =2.2kΩ and NAB34dB at 1kHz
ALC range	ALC	40	45	–	dB	R <sub>G</sub> =3.9kΩ, V <sub>IN</sub> =–70dBV reference, THD=3%
ALC channel balance	ΔALC	–	0	2.5	dB	V <sub>IN</sub> =–60dBV, –30dBV
Channel separation	CS	60	75	–	dB	V <sub>O</sub> =0dBV, NAB34dB

Audio ICs

●Measurement circuit

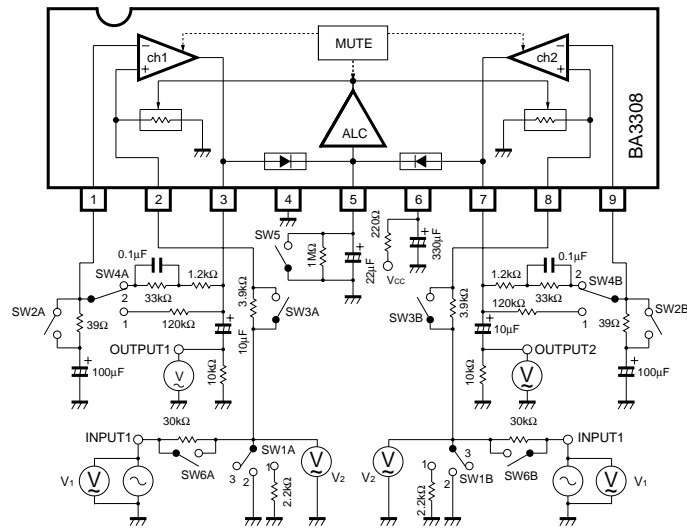


Fig. 1

●Application example

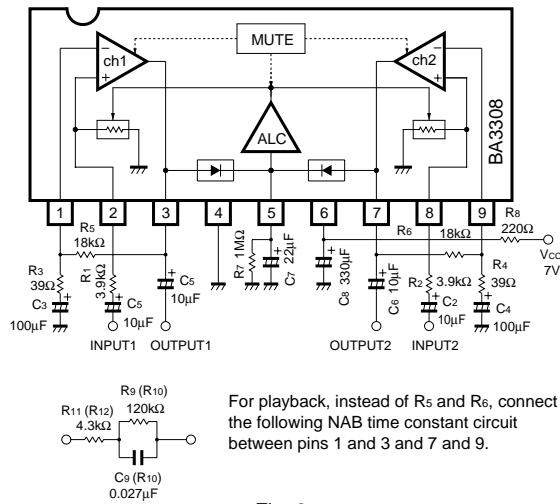


Fig. 2

●Application example circuit PCB (copper side)

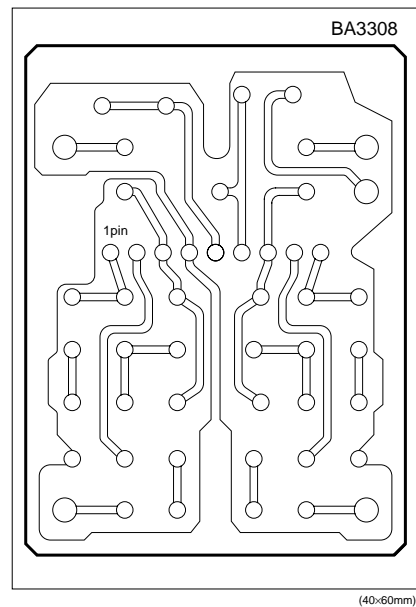
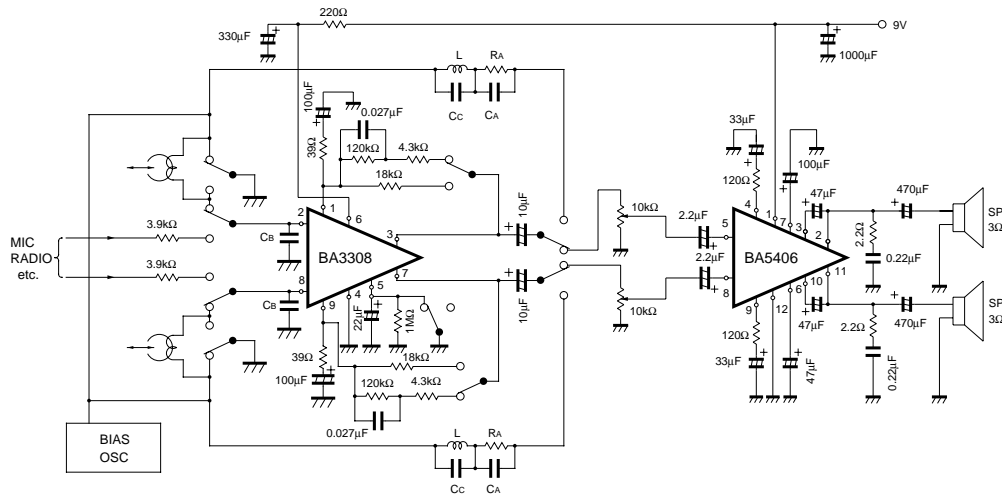


Fig.3

## Audio ICs

## ●Total application circuit



## Notes:

- (1) Switches are in the playback positions.
- (2) Set the values of  $R_A$  and  $C_A$  depending on the characteristics of the playback/recording head.
- (3) The capacitor  $C_B$  is for head resonance treble compensation during playback, and prevention of high-frequency noise. The recommended value is about 1000pF.
- (4)  $L$  and  $C_C$  are a bias trap.

Fig. 4

## ●Circuit operation

## (1) Recording

## 1) Recording amplifier (See Fig.5)

The channel 1 and 2 amplifier input stages of the BA3308 (pins 8 and 2) and be direct-coupled, and the input coupling capacitors  $C_1$  and  $C_2$  are not particularly required. The voltage gain of the recording amplifier is given by  $G_V = R_5 / R_3$ , but as a "pop" noise is generated when power is applied, (see "operation notes"), use the time constant circuit values given for  $C_3$  and  $R_3$  ( $C_4$  and  $R_4$ ) in the application example circuit diagram, or values close to these, and adjust the voltage gain with  $R_5$  ( $R_6$ ).  $R_5$  ( $R_6$ ) is also the DC bias feedback resistor, and is connected between pin 3 (7), and the output capacitor  $C_5$  ( $C_6$ ).

## 2) ALC (See Fig.6)

The BA3308 includes a signal rectifier block and electronic potentiometers required for the ALC. In the signal rectifier block, a comparator compares the DC output voltage component of the output stage signal (pins 3 and 7) to a voltage of  $4.5V_F$  ( $1V_F$  is about 0.7V, so  $4.5V_F$  is approximately 3V), and if it is above this, the comparator switches on, and changes the smoothing capacitor  $C_7$ . The operating point of the amplifier's ch1 and ch2 output stages is fixed at  $3V_F$ , so when the signal output voltage is  $1.5V_F$  (an effective value of approximately 0.75V), the comparator goes on, DC signals for electronic potentiometer control are generated, and the ALC starts operating. The electronic potentiometers are connected between the input lines (pins 2 and 8) and GND, and the input signals is attenuated by the ratio of the electronic potentiometer resistances and the external resistors  $R_1$  and  $R_2$ . The range of the ALC can be varied by the values of  $R_1$  and  $R_2$ , but if they are too large the S/N ratio will worsen. Sufficient ALC range should be obtained with  $R_1$  and  $R_2$  values of around several k ohms.  $C_7$  and  $R_7$  connected to pin 5 set the ALC attack and recovery times. The larger the values of these constants, the longer the recovery time, and the smaller the value of  $C_7$  the shorter the attack time.

Audio ICs

(2) Playback (See Fig.7)

During playback, the ch1 and ch2 amplifiers are used as NAB equalizer amplifiers, and time constant circuits are connected between pins 1 and 3, and 7 and 9 in the negative-feedback section to give the NAB characteristics.

The voltage gain is given by:

$$G_v = |R_{11} + R_9 / (1 + j\omega C_9 \cdot R_9)| / R_3$$

In the same way as for recording, the NAB time constant circuit is adjusted to give the required gain (to prevent generation of a "pop" noise when power is applied). The output stage (pins 3 and 7) operating point is fixed at 3V<sub>F</sub>.

Therefore, as indicated in the V<sub>MAX</sub>. VS. V<sub>CC</sub> characteristic (see Fig.19), even if the V<sub>CC</sub> voltage is made larger than 5V, the maximum output voltage will not exceed 1.2V (typ.). The ALC circuit is not required for playback, so pin 5 is grounded. The S/N ratio during playback is better if the external resistors R<sub>1</sub> and R<sub>2</sub> that are connected to the input pins (2 and 8) for recording are switched out.

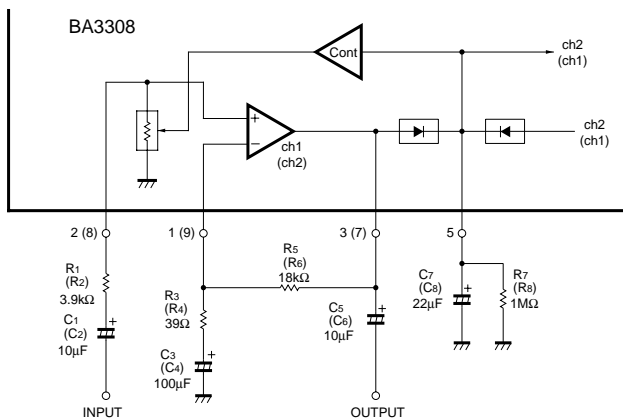


Fig.5

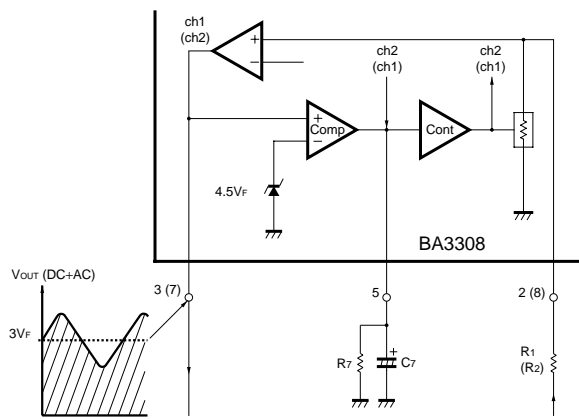


Fig.6

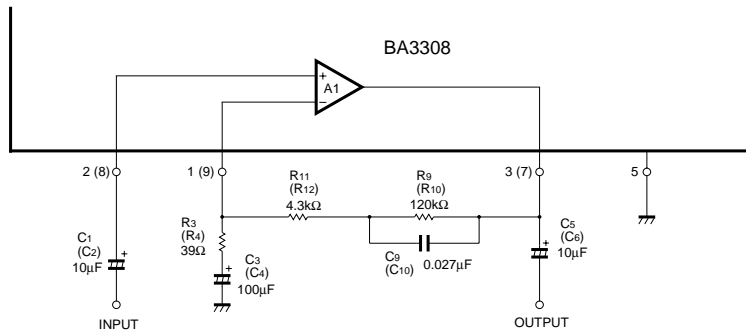


Fig.7

●Operation notes

The BA3308 has a built-in power-on mute circuit to prevent generation of a “pop” sound when the power is applied. The generation of the “pop” sound is prevented by the DC blocking capacitors C<sub>3</sub> and C<sub>4</sub> connected to pins 1 and 9, and the charge time required for the ripple filter capacitor C<sub>5</sub> that is connected to pin 6.

To ensure correct operation of this circuit, use the values given in the application example circuit for C<sub>3</sub>, C<sub>4</sub>, R<sub>3</sub>, R<sub>4</sub>, C<sub>5</sub> and R<sub>8</sub>.

●Application board component layout (component side)

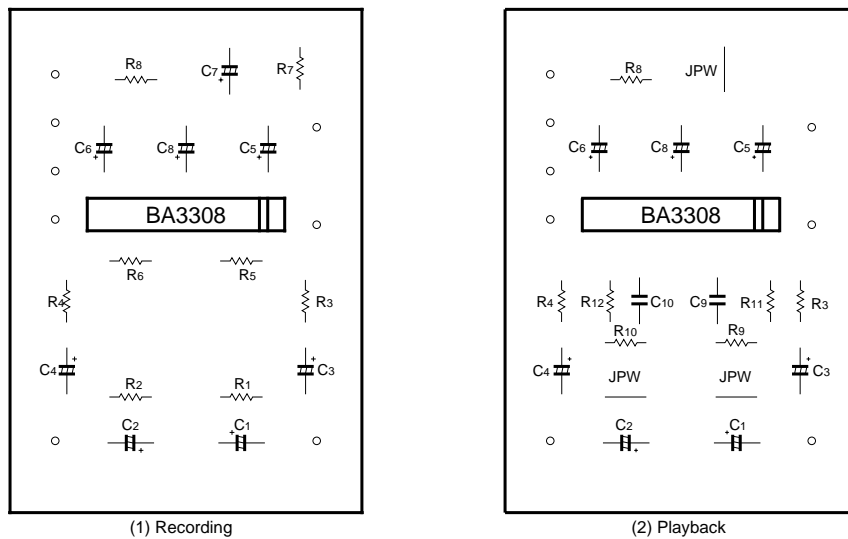


Fig.8

Audio ICs

●Electrical characteristic curves

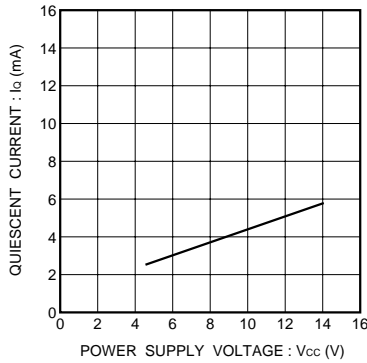


Fig.9 Quiescent current vs. power supply voltage

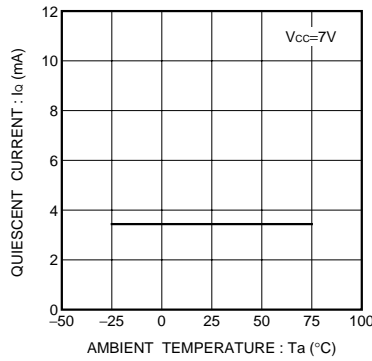


Fig.10 Quiescent current vs. ambient temperature

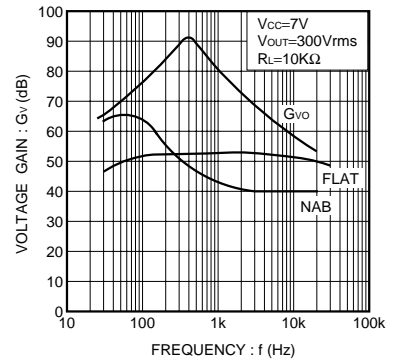


Fig.11 Voltage gain vs. frequency

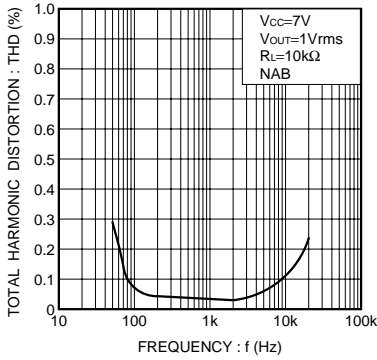


Fig.12 Total harmonic distortion vs. frequency

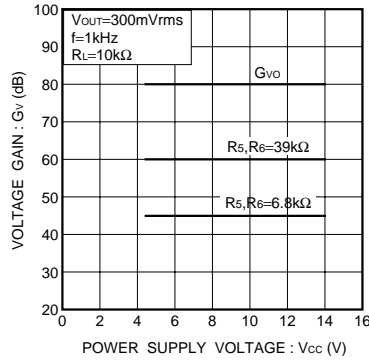


Fig.13 Voltage gain vs. power supply voltage

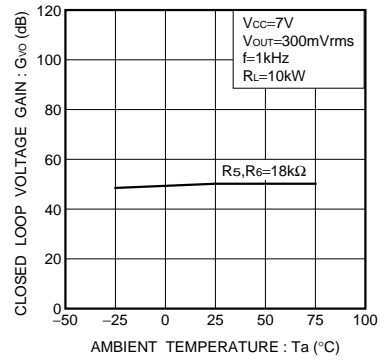


Fig.14 Closed loop voltage gain vs. ambient temperature

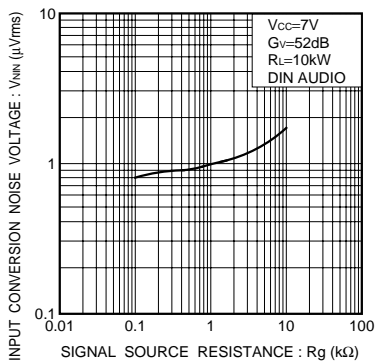


Fig.15 Input conversion noise voltage vs. signal source resistance

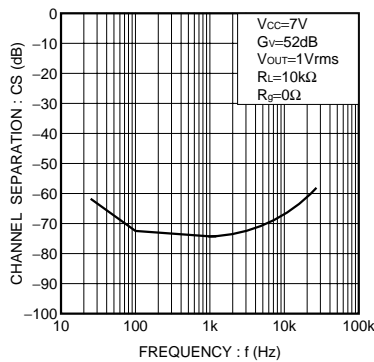


Fig.16 Channel separation vs. frequency

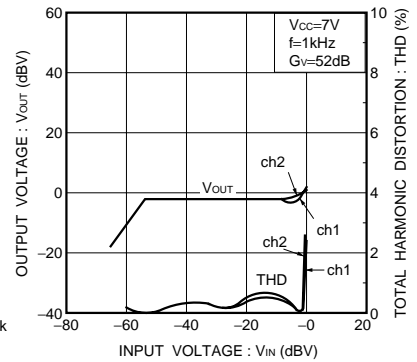


Fig.17 ALC characteristics

Audio ICs

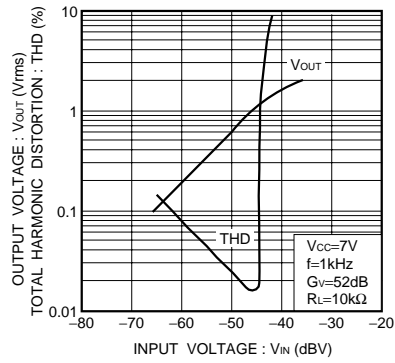


Fig.18 Input/output characteristics

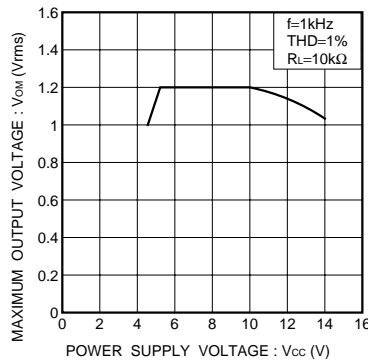


Fig.19 Maximum output voltage vs. power supply voltage

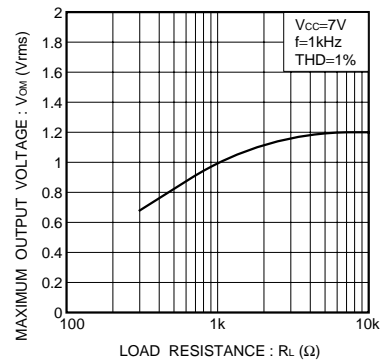


Fig.20 Maximum output voltage vs. load resistance

●External dimensions (Units : mm)

