

## Features

- Fast Read Access Time - 70 ns
- 5-Volt Only Reprogramming
- Sector Program Operation
  - Single Cycle Reprogram (Erase and Program)
  - 512 Sectors (128 bytes/sector)
  - Internal Address and Data Latches for 128 Bytes
- Internal Program Control and Timer
- Hardware and Software Data Protection
- Fast Sector Program Cycle Time - 10 ms
- DATA Polling for End of Program Detection
- Low Power Dissipation
  - 50 mA Active Current
  - 100  $\mu$ A CMOS Standby Current
- Typical Endurance > 10,000 Cycles
- Single 5V  $\pm$  10% Supply
- CMOS and TTL Compatible Inputs and Outputs
- Commercial and Industrial Temperature Ranges

## Description

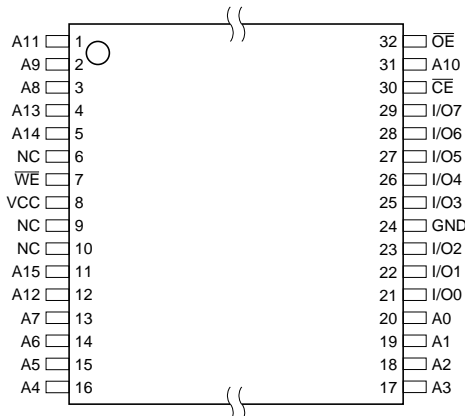
The AT29C512 is a 5-volt only in-system Flash programmable and erasable read only memory (PEROM). Its 512K of memory is organized as 65,536 words by 8 bits. Manufactured with Atmel's advanced nonvolatile CMOS technology, the device offers access times to 70 ns with power dissipation of just 275 mW over the commercial temperature range. When the device is deselected, the CMOS standby current is less than 100  $\mu$ A. The device endurance is such that any sector can typically be written to in excess of 10,000 times.

(continued)

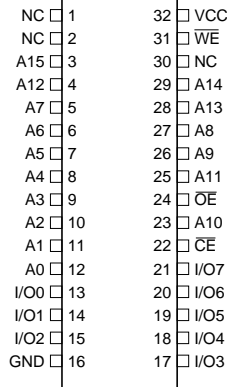
## Pin Configurations

| Pin Name        | Function            |
|-----------------|---------------------|
| A0 - A15        | Addresses           |
| $\overline{CE}$ | Chip Enable         |
| $\overline{OE}$ | Output Enable       |
| $\overline{WE}$ | Write Enable        |
| I/O0 - I/O7     | Data Inputs/Outputs |
| NC              | No Connect          |

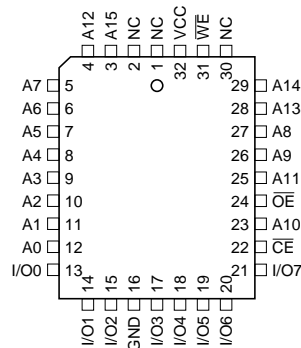
TSOP Top View  
Type 1



DIP Top View



PLCC Top View



## 512K (64K x 8) 5-volt Only Flash Memory

## AT29C512

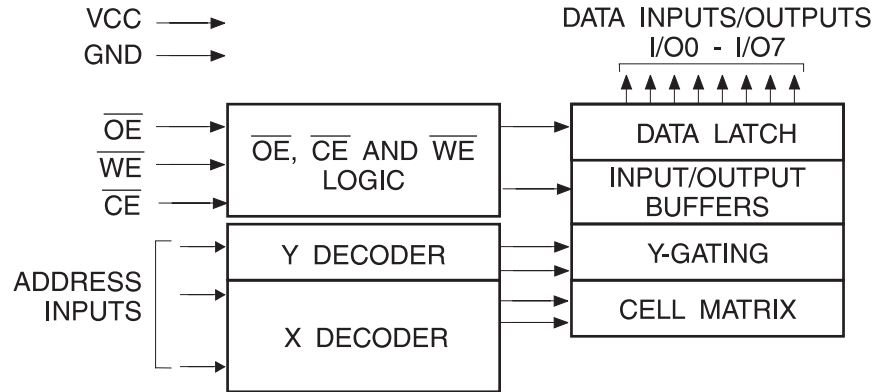
Rev. 0456C-10/98



To allow for simple in-system reprogrammability, the AT29C512 does not require high input voltages for programming. Five-volt-only commands determine the operation of the device. Reading data out of the device is similar to reading from an EPROM. Reprogramming the AT29C512 is performed on a sector basis; 128 bytes of data are loaded into the device and then simultaneously programmed.

During a reprogram cycle, the address locations and 128 bytes of data are internally latched, freeing the address and data bus for other operations. Following the initiation of a program cycle, the device will automatically erase the sector and then program the latched data using an internal control timer. The end of a program cycle can be detected by  $\overline{\text{DATA}}$  polling of I/O7. Once the end of a program cycle has been detected, a new access for a read or program can begin.

## Block Diagram



## Device Operation

**READ:** The AT29C512 is accessed like an EPROM. When  $\overline{\text{CE}}$  and  $\overline{\text{OE}}$  are low and  $\overline{\text{WE}}$  is high, the data stored at the memory location determined by the address pins is asserted on the outputs. The outputs are put in the high impedance state whenever  $\overline{\text{CE}}$  or  $\overline{\text{OE}}$  is high. This dual-line control gives designers flexibility in preventing bus contention.

**BYTE LOAD:** Byte loads are used to enter the 128 bytes of a sector to be programmed or the software codes for data protection. A byte load is performed by applying a low pulse on the  $\overline{\text{WE}}$  or  $\overline{\text{CE}}$  input with  $\overline{\text{CE}}$  or  $\overline{\text{WE}}$  low (respectively) and  $\overline{\text{OE}}$  high. The address is latched on the falling edge of  $\overline{\text{CE}}$  or  $\overline{\text{WE}}$ , whichever occurs last. The data is latched by the first rising edge of  $\overline{\text{CE}}$  or  $\overline{\text{WE}}$ .

**PROGRAM:** The device is reprogrammed on a sector basis. If a byte of data within a sector is to be changed, data for the entire sector must be loaded into the device. Any byte that is not loaded during the programming of its sector will be indeterminate. Once the bytes of a sector are loaded into the device, they are simultaneously programmed during the internal programming period. After the first data byte has been loaded into the device, successive bytes are entered in the same manner. Each new byte to be programmed must have its high to low transition on  $\overline{\text{WE}}$  (or  $\overline{\text{CE}}$ ) within 150  $\mu\text{s}$  of the low to high transition of  $\overline{\text{WE}}$  (or  $\overline{\text{CE}}$ ) of the preceding byte. If a high to low transition is not detected within 150  $\mu\text{s}$  of the last low to high transition, the load period will end and the internal programming period

will start. A7 to A15 specify the sector address. The sector address must be valid during each high to low transition of  $\overline{\text{WE}}$  (or  $\overline{\text{CE}}$ ). A0 to A6 specify the byte address within the sector. The bytes may be loaded in any order; sequential loading is not required. Once a programming operation has been initiated, and for the duration of  $t_{\text{WC}}$ , a read operation will effectively be a polling operation.

**SOFTWARE DATA PROTECTION:** A software controlled data protection feature is available on the AT29C512. Once the software protection is enabled a software algorithm must be issued to the device before a program may be performed. The software protection feature may be enabled or disabled by the user; when shipped from Atmel, the software data protection feature is disabled. To enable the software data protection, a series of three program commands to specific addresses with specific data must be performed. After the software data protection is enabled the same three program commands must begin each program cycle in order for the programs to occur. All software program commands must obey the sector program timing specifications. Once set, the software data protection feature remains active unless its disable command is issued. Power transitions will not reset the software data protection feature, however the software feature will guard against inadvertent program cycles during power transitions.

Once set, software data protection will remain active unless the disable command sequence is issued.

After setting SDP, any attempt to write to the device without the 3-byte command sequence will start the internal write timers. No data will be written to the device; however, for the duration of  $t_{WC}$ , a read operation will effectively be a polling operation.

After the software data protection's 3-byte command code is given, a byte load is performed by applying a low pulse on the  $\overline{WE}$  or  $\overline{CE}$  input with  $\overline{CE}$  or  $\overline{WE}$  low (respectively) and  $\overline{OE}$  high. The address is latched on the falling edge of  $\overline{CE}$  or  $\overline{WE}$ , whichever occurs last. The data is latched by the first rising edge of  $\overline{CE}$  or  $\overline{WE}$ . The 128 bytes of data must be loaded into each sector by the same procedure as outlined in the program section under device operation.

**HARDWARE DATA PROTECTION:** Hardware features protect against inadvertent programs to the AT29C512 in the following ways: (a)  $V_{CC}$  sense—if  $V_{CC}$  is below 3.8V (typical), the program function is inhibited; (b)  $V_{CC}$  power on delay—once  $V_{CC}$  has reached the  $V_{CC}$  sense level, the device will automatically time out 5 ms (typical) before programming; (c) Program inhibit—holding any one of  $\overline{OE}$  low,  $\overline{CE}$  high or  $\overline{WE}$  high inhibits program cycles; and (d) Noise filter—pulses of less than 15 ns (typical) on the  $\overline{WE}$  or  $\overline{CE}$  inputs will not initiate a program cycle.

**PRODUCT IDENTIFICATION:** The product identification mode identifies the device and manufacturer as Atmel. It may be accessed by hardware or software operation. The hardware operation mode can be used by an external programmer to identify the correct programming algorithm for the Atmel product. In addition, users may wish to use the

software product identification mode to identify the part (i.e. using the device code), and have the system software use the appropriate sector size for program operations. In this manner, the user can have a common board design for 256K to 4-megabit densities and, with each density's sector size in a memory map, have the system software apply the appropriate sector size.

For details, see Operating Modes (for hardware operation) or Software Product Identification. The manufacturer and device code is the same for both modes.

**$\overline{DATA}$  POLLING:** The AT29C512 features  $\overline{DATA}$  polling to indicate the end of a program cycle. During a program cycle an attempted read of the last byte loaded will result in the complement of the loaded data on I/O7. Once the program cycle has been completed, true data is valid on all outputs and the next cycle may begin.  $\overline{DATA}$  polling may begin at any time during the program cycle.

**TOGGLE BIT:** In addition to  $\overline{DATA}$  polling the AT29C512 provides another method for determining the end of a program or erase cycle. During a program or erase operation, successive attempts to read data from the device will result in I/O6 toggling between one and zero. Once the program cycle has completed, I/O6 will stop toggling and valid data will be read. Examining the toggle bit may begin at any time during a program cycle.

**OPTIONAL CHIP ERASE MODE:** The entire device can be erased by using a 6-byte software code. Please see Software Chip Erase application note for details.

## Absolute Maximum Ratings\*

|   |                          |
|---|--------------------------|
| Temperature Under Bias .....  | -55°C to +125°C          |
| Storage Temperature .....   | -65°C to +150°C          |
| All Input Voltages<br>(including NC Pins)<br>with Respect to Ground ..... | -0.6V to +6.25V          |
| All Output Voltages<br>with Respect to Ground .....                       | -0.6V to $V_{CC} + 0.6V$ |
| Voltage on $\overline{OE}$<br>with Respect to Ground .....                | -0.6V to +13.5V          |

\*NOTICE: Stresses beyond those listed under "Absolute Maximum Ratings" may cause permanent damage to the device. This is a stress rating only and functional operation of the device at these or any other conditions beyond those indicated in the operational sections of this specification is not implied. Exposure to absolute maximum rating conditions for extended periods may affect device reliability.



## DC and AC Operating Range

|                              |      | AT29C512-70 | AT29C512-90  | AT29C512-12  | AT29C512-15  |
|------------------------------|------|-------------|--------------|--------------|--------------|
| Operating Temperature (Case) | Com. | 0°C - 70°C  | 0°C - 70°C   | 0°C - 70°C   | 0°C - 70°C   |
|                              | Ind. |             | -40°C - 85°C | -40°C - 85°C | -40°C - 85°C |
| V <sub>CC</sub> Power Supply |      | 5V ± 5%     | 5V ± 10%     | 5V ± 10%     | 5V ± 10%     |

## Operating Modes

| Mode                    | $\overline{CE}$ | $\overline{OE}$  | $\overline{WE}$ | Ai   | I/O                              |
|-------------------------|-----------------|------------------|-----------------|--|----------------------------------|
| Read                    | V <sub>IL</sub> | V <sub>IL</sub>  | V <sub>IH</sub> | Ai   | D <sub>OUT</sub>                 |
| Program <sup>(2)</sup>  | V <sub>IL</sub> | V <sub>IH</sub>  | V <sub>IL</sub> | Ai   | D <sub>IN</sub>                  |
| 5V Chip Erase           | V <sub>IL</sub> | V <sub>IH</sub>  | V <sub>IL</sub> | Ai   |                                  |
| Standby/Write Inhibit   | V <sub>IH</sub> | X <sup>(1)</sup> | X               | X  | High Z                           |
| Program Inhibit         | X               | X                | V <sub>IH</sub> |  |                                  |
| Program Inhibit         | X               | V <sub>IL</sub>  | X               |  |                                  |
| Output Disable          | X               | V <sub>IH</sub>  | X               |  | High Z                           |
| Product Identification  |                 |                  |                 |  |                                  |
| Hardware                | V <sub>IL</sub> | V <sub>IL</sub>  | V <sub>IH</sub> | A1 - A15 = V <sub>IL</sub> , A9 = V <sub>H</sub> , <sup>(3)</sup> A0 = V <sub>IL</sub> | Manufacturer Code <sup>(4)</sup> |
|                         |                 |                  |                 | A1-A15 = V <sub>IL</sub> , A9 = V <sub>H</sub> , <sup>(3)</sup> A0 = V <sub>IH</sub>   | Device Code <sup>(4)</sup>       |
| Software <sup>(5)</sup> |                 |                  |                 | A0 = V <sub>IL</sub>   | Manufacturer Code <sup>(4)</sup> |
|                         |                 |                  |                 | A0 = V <sub>IH</sub>   | Device Code <sup>(4)</sup>       |

- Notes:
1. X can be V<sub>IL</sub> or V<sub>IH</sub>.
  2. Refer to AC Programming Waveforms.
  3. V<sub>H</sub> = 12.0V ± 0.5V.
  4. Manufacturer Code: 1F, Device Code: 5D.
  5. See details under Software Product Identification Entry/Exit.

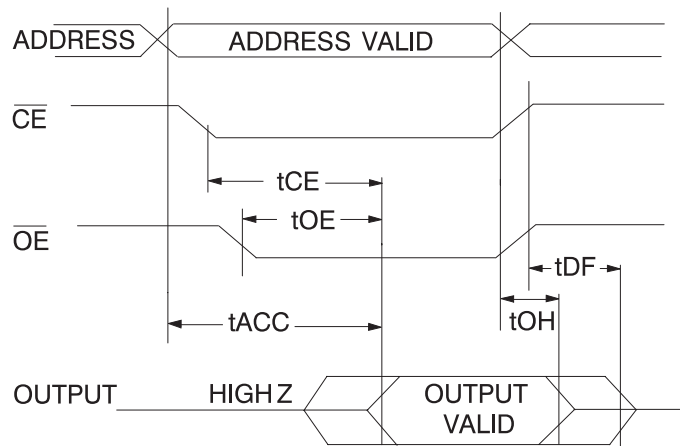
## DC Characteristics

| Symbol           | Parameter                            | Condition  | Min  | Max  | Units |
|------------------|--------------------------------------|--|------|------|-------|
| I <sub>LI</sub>  | Input Load Current                   | V <sub>IN</sub> = 0V to V <sub>CC</sub>            |      | 10   | μA    |
| I <sub>LO</sub>  | Output Leakage Current               | V <sub>I/O</sub> = 0V to V <sub>CC</sub>           |      | 10   | μA    |
| I <sub>SB1</sub> | V <sub>CC</sub> Standby Current CMOS | $\overline{CE} = V_{CC} - 0.3V$ to V <sub>CC</sub> | Com. | 100  | μA    |
|                  |                                      |  | Ind. | 300  | μA    |
| I <sub>SB2</sub> | V <sub>CC</sub> Standby Current TTL  | $\overline{CE} = 2.0V$ to V <sub>CC</sub>          |      | 3    | mA    |
| I <sub>CC</sub>  | V <sub>CC</sub> Active Current       | f = 5 MHz; I <sub>OUT</sub> = 0 mA                 |      | 50   | mA    |
| V <sub>IL</sub>  | Input Low Voltage                    |  |      | 0.8  | V     |
| V <sub>IH</sub>  | Input High Voltage                   |  | 2.0  |      | V     |
| V <sub>OL</sub>  | Output Low Voltage                   | I <sub>OL</sub> = 2.1 mA                           |      | 0.45 | V     |
| V <sub>OH1</sub> | Output High Voltage                  | I <sub>OH</sub> = -400 μA                          | 2.4  |      | V     |
| V <sub>OH2</sub> | Output High Voltage CMOS             | I <sub>OH</sub> = -100 μA; V <sub>CC</sub> = 4.5V  | 4.2  |      | V     |

## AC Read Characteristics

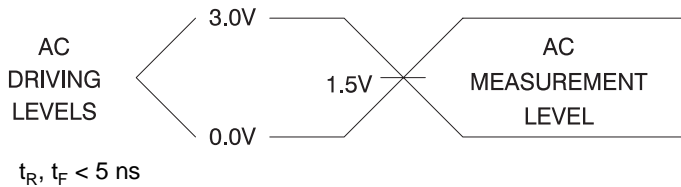
| Symbol            | Parameter   | AT29C512-70 |     | AT29C512-90 |     | AT29C512-12 |     | AT29C512-15 |     | Units |
|-------------------|---|-------------|-----|-------------|-----|-------------|-----|-------------|-----|-------|
|                   |   | Min         | Max | Min         | Max | Min         | Max | Min         | Max |       |
| $t_{ACC}$         | Address to Output Delay   |             | 70  |             | 90  |             | 120 |             | 150 | ns    |
| $t_{CE}^{(1)}$    | $\overline{CE}$ to Output Delay   |             | 70  |             | 90  |             | 120 |             | 150 | ns    |
| $t_{OE}^{(2)}$    | $\overline{OE}$ to Output Delay   | 0           | 35  | 0           | 40  | 0           | 50  | 0           | 70  | ns    |
| $t_{DF}^{(3)(4)}$ | $\overline{CE}$ or $\overline{OE}$ to Output Float                                      | 0           | 10  | 0           | 25  | 0           | 30  | 0           | 40  | ns    |
| $t_{OH}$          | Output Hold from $\overline{OE}$ , $\overline{CE}$ or Address, whichever occurred first | 0           |     | 0           |     | 0           |     | 0           |     | ns    |

## AC Read Waveforms<sup>(1)(2)(3)(4)</sup>

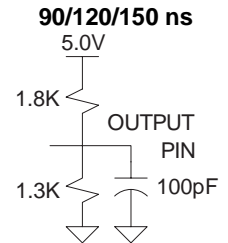
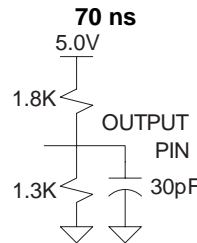


- Notes:
- $\overline{CE}$  may be delayed up to  $t_{ACC} - t_{CE}$  after the address transition without impact on  $t_{ACC}$ .
  - $\overline{OE}$  may be delayed up to  $t_{CE} - t_{OE}$  after the falling edge of  $\overline{CE}$  without impact on  $t_{CE}$  or by  $t_{ACC} - t_{OE}$  after an address change without impact on  $t_{ACC}$ .
  - $t_{DF}$  is specified from  $\overline{OE}$  or  $\overline{CE}$  whichever occurs first ( $CL = 5 \text{ pF}$ ).
  - This parameter is characterized and is not 100% tested.

## Input Test Waveforms and Measurement Level



## Output Test Load



## Pin Capacitance

$f = 1 \text{ MHz}$ ,  $T = 25^\circ\text{C}^{(1)}$

| Symbol    | Typ | Max | Units | Conditions            |
|-----------|-----|-----|-------|-----------------------|
| $C_{IN}$  | 4   | 6   | pF    | $V_{IN} = 0\text{V}$  |
| $C_{OUT}$ | 8   | 12  | pF    | $V_{OUT} = 0\text{V}$ |

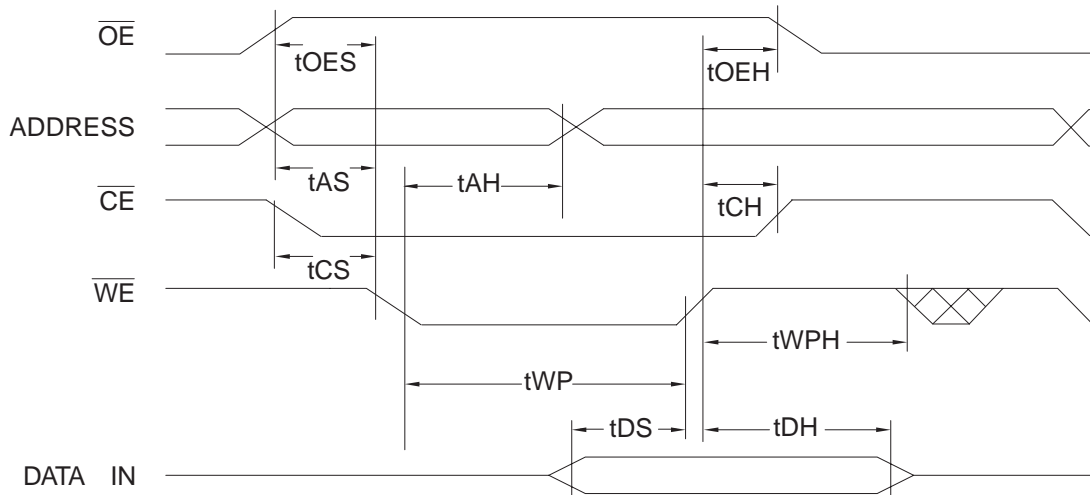
Note: 1. This parameter is characterized and is not 100% tested.

## AC Byte Load Characteristics

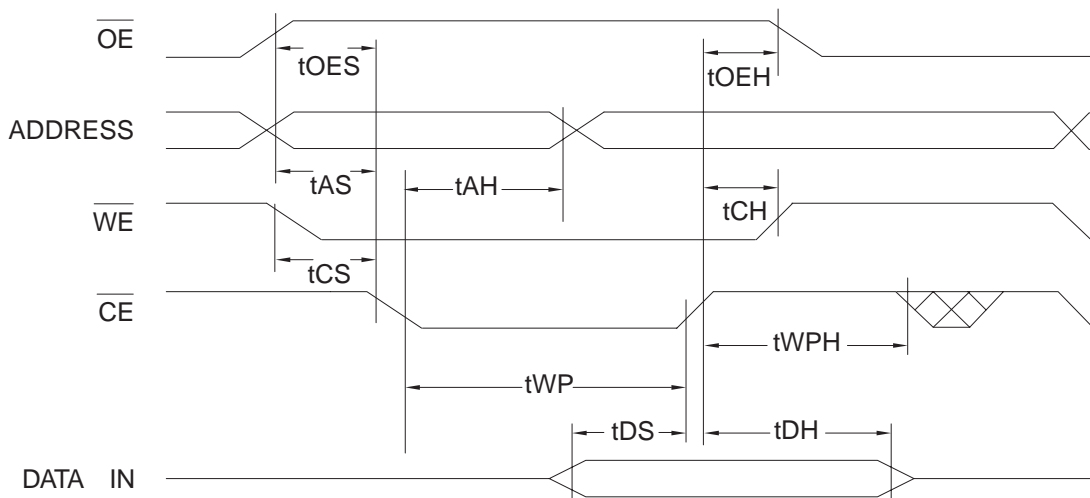
| Symbol            | Parameter  | Min | Max | Units |
|-------------------|--|-----|-----|-------|
| $t_{AS}, t_{OES}$ | Address, $\overline{OE}$ Set-up Time                     | 0   |     | ns    |
| $t_{AH}$          | Address Hold Time  | 50  |     | ns    |
| $t_{CS}$          | Chip Select Set-up Time                                  | 0   |     | ns    |
| $t_{CH}$          | Chip Select Hold Time                                    | 0   |     | ns    |
| $t_{WP}$          | Write Pulse Width ( $\overline{WE}$ or $\overline{CE}$ ) | 90  |     | ns    |
| $t_{DS}$          | Data Set-up Time   | 35  |     | ns    |
| $t_{DH}, t_{OEH}$ | Data, $\overline{OE}$ Hold Time                          | 0   |     | ns    |
| $t_{WPH}$         | Write Pulse Width High                                   | 100 |     | ns    |

## AC Byte Load Waveforms

### $\overline{WE}$ Controlled



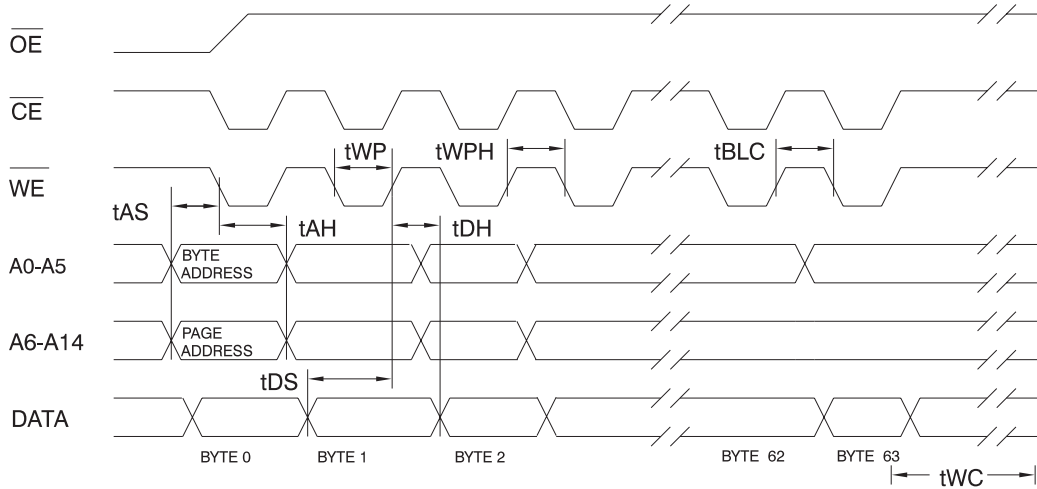
### $\overline{CE}$ Controlled



### Program Cycle Characteristics

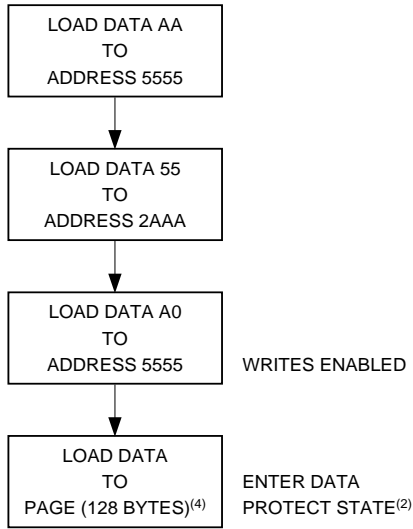
| Symbol    | Parameter              | Min | Max | Units   |
|-----------|------------------------|-----|-----|---------|
| $t_{WC}$  | Write Cycle Time       |     | 10  | ms      |
| $t_{AS}$  | Address Set-up Time    | 0   |     | ns      |
| $t_{AH}$  | Address Hold Time      | 50  |     | ns      |
| $t_{DS}$  | Data Set-up Time       | 35  |     | ns      |
| $t_{DH}$  | Data Hold Time         | 0   |     | ns      |
| $t_{WP}$  | Write Pulse Width      | 90  |     | ns      |
| $t_{BLC}$ | Byte Load Cycle Time   |     | 150 | $\mu$ s |
| $t_{WPH}$ | Write Pulse Width High | 100 |     | ns      |

### Program Cycle Waveforms<sup>(1)(2)(3)</sup>

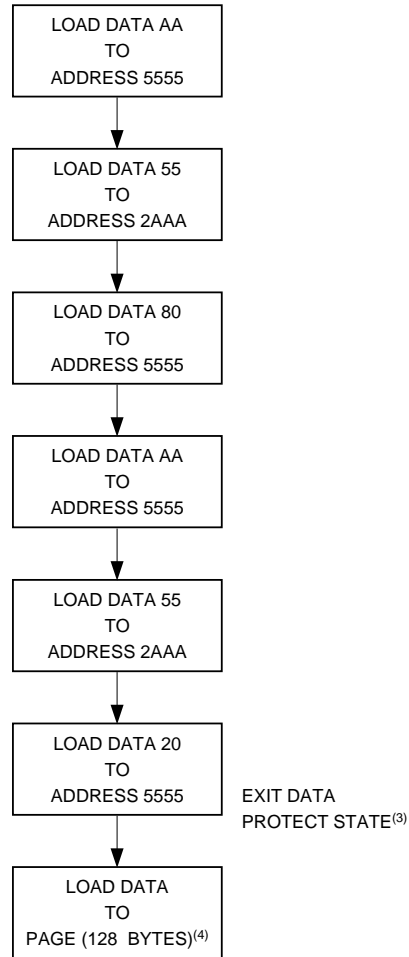


- Notes:
1. A7 through A15 must specify the sector address during each high to low transition of  $\overline{WE}$  (or  $\overline{CE}$ ).
  2.  $\overline{OE}$  must be high when  $\overline{WE}$  and  $\overline{CE}$  are both low.
  3. All bytes that are not loaded within the sector being programmed will be indeterminate.

## Software Data Protection Enable Algorithm<sup>(1)</sup>



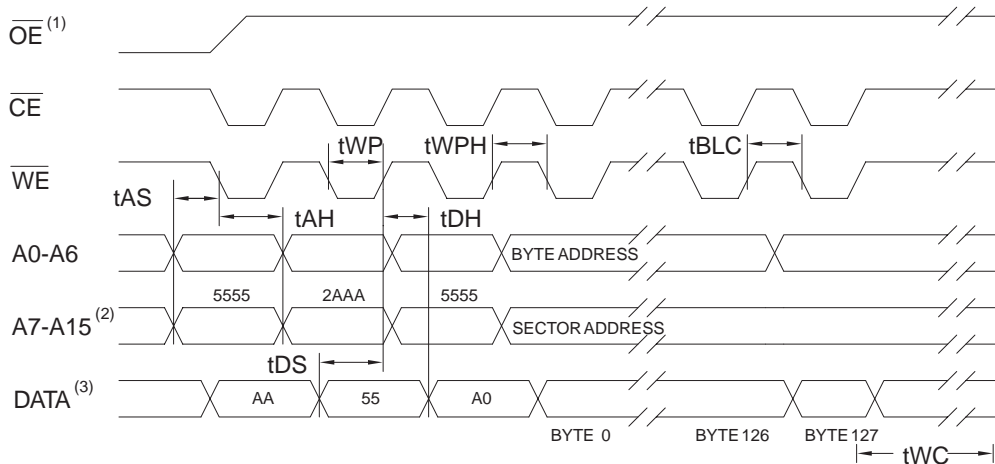
## Software Data Protection Disable Algorithm<sup>(1)</sup>



Notes for software program code:

1. Data Format: I/O7 - I/O0 (Hex); Address Format: A14 - A0 (Hex).
2. Data Protect state will be activated at end of program cycle.
3. Data Protect state will be deactivated at end of program period.
4. 128 bytes of data **MUST BE** loaded.

## Software Protected Program Cycle Waveform<sup>(1)(2)(3)</sup>



- Notes:
1. A7 through A15 must specify the page address during each high to low transition of  $\overline{WE}$  (or  $\overline{CE}$ ) after the software code has been entered.
  2.  $\overline{OE}$  must be high when  $\overline{WE}$  and  $\overline{CE}$  are both low.
  3. All bytes that are not loaded within the sector being programmed will be indeterminate.

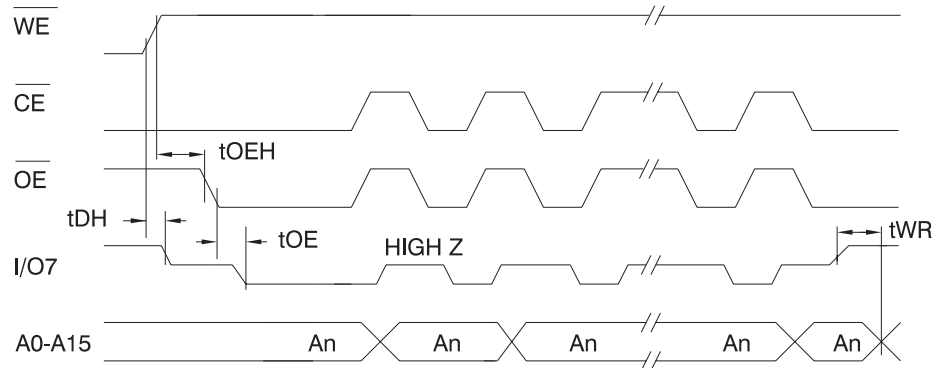


## Data Polling Characteristics<sup>(1)</sup>

| Symbol               | Parameter                                      | Min | Typ | Max | Units |
|----------------------|--|-----|-----|-----|-------|
| $t_{DH}$             | Data Hold Time                                 | 10  |     |     | ns    |
| $t_{OE\overline{H}}$ | $\overline{OE}$ Hold Time                      | 10  |     |     | ns    |
| $t_{OE}$             | $\overline{OE}$ to Output Delay <sup>(2)</sup> |     |     |     | ns    |
| $t_{WR}$             | Write Recovery Time                            | 0   |     |     | ns    |

Notes: 1. These parameters are characterized and not 100% tested.  
 2. See  $t_{OE}$  spec in AC Read Characteristics.

## Data Polling Waveforms

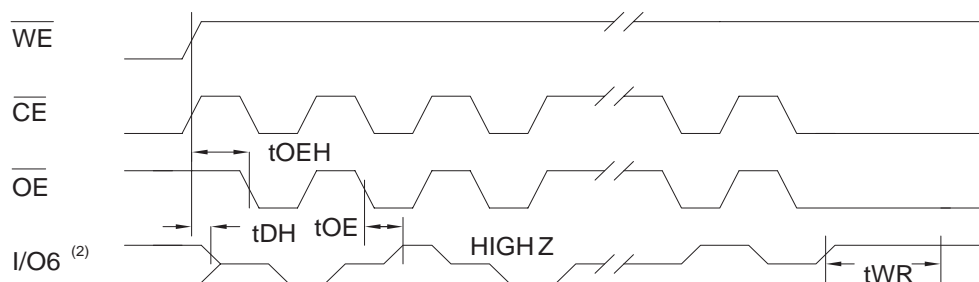


## Toggle Bit Characteristics<sup>(1)</sup>

| Symbol               | Parameter                                      | Min | Typ | Max | Units |
|----------------------|--|-----|-----|-----|-------|
| $t_{DH}$             | Data Hold Time                                 | 10  |     |     | ns    |
| $t_{OE\overline{H}}$ | $\overline{OE}$ Hold Time                      | 10  |     |     | ns    |
| $t_{OE}$             | $\overline{OE}$ to Output Delay <sup>(2)</sup> |     |     |     | ns    |
| $t_{OEHP}$           | $\overline{OE}$ High Pulse                     | 150 |     |     | ns    |
| $t_{WR}$             | Write Recovery Time                            | 0   |     |     | ns    |

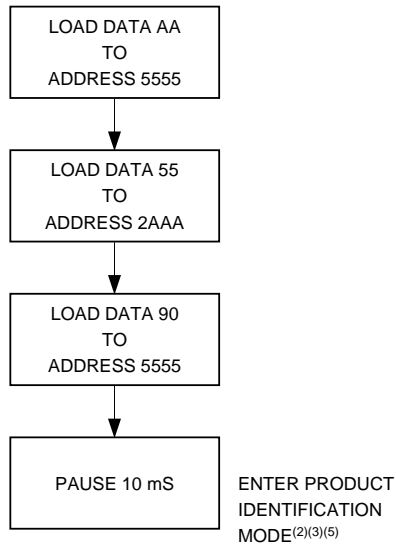
Notes: 1. These parameters are characterized and not 100% tested.  
 2. See  $t_{OE}$  spec in AC Read Characteristics.

## Toggle Bit Waveforms<sup>(1)(2)(3)</sup>

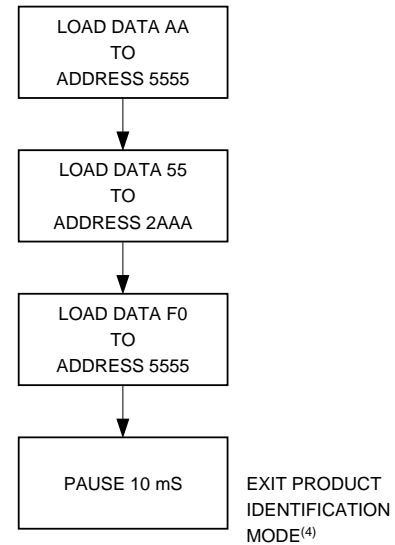


Notes: 1. Toggling either  $\overline{OE}$  or  $\overline{CE}$  or both  $\overline{OE}$  and  $\overline{CE}$  will operate toggle bit.  
 2. Beginning and ending state of I/O6 will vary.  
 3. Any address location may be used but the address should not vary.

## Software Product Identification Entry<sup>(1)</sup>



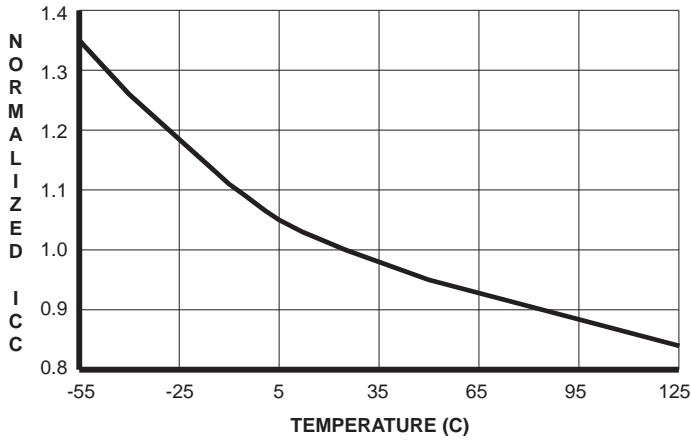
## Software Product Identification Exit<sup>(1)</sup>



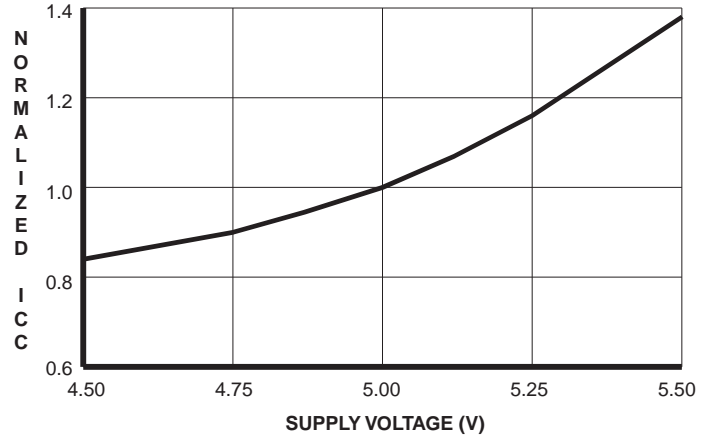
Notes for software product identification:

1. Data Format: I/O7 - I/O0 (Hex);  
Address Format: A14 - A0 (Hex).
2. A1 - A15 =  $V_{IL}$ .  
Manufacturer Code is read for A0 =  $V_{IL}$ ;  
Device Code is read for A0 =  $V_{IH}$ .
3. The device does not remain in identification mode if powered down.
4. The device returns to standard operation mode.
5. Manufacturer Code is 1F. The Device Code is 5D.

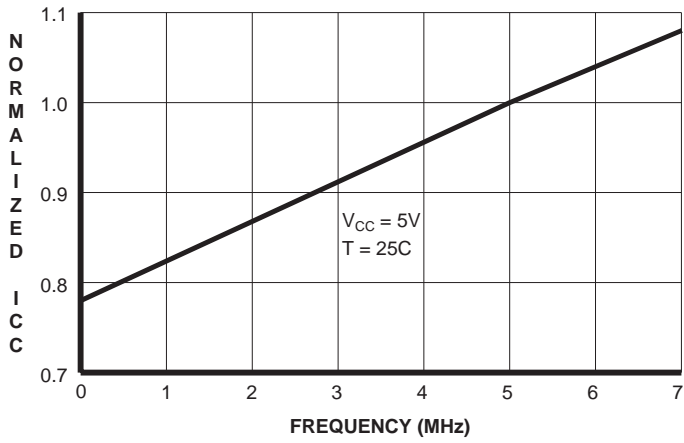
NORMALIZED SUPPLY CURRENT  
vs. TEMPERATURE



NORMALIZED SUPPLY CURRENT  
vs. SUPPLY VOLTAGE



NORMALIZED SUPPLY CURRENT  
vs. ADDRESS FREQUENCY





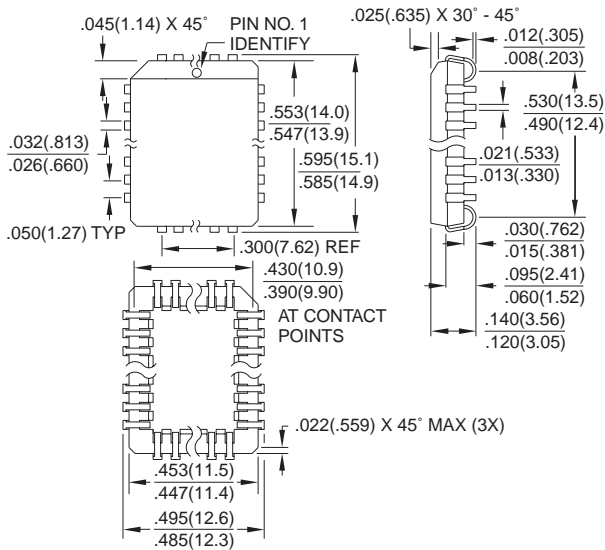
## Ordering Information

| t <sub>ACC</sub><br>(ns) | I <sub>CC</sub> (mA) |         | Ordering Code | Package | Operation Range              |
|--------------------------|----------------------|---------|---------------|---------|------------------------------|
|                          | Active               | Standby |               |         |                              |
| 70                       | 50                   | 0.1     | AT29C512-70JC | 32J     | Commercial<br>(0° to 70°C)   |
|                          |                      |         | AT29C512-70PC | 32P6    |                              |
|                          |                      |         | AT29C512-70TC | 32T     |                              |
| 90                       | 50                   | 0.1     | AT29C512-90JC | 32J     | Commercial<br>(0° to 70°C)   |
|                          |                      |         | AT29C512-90PC | 32P6    |                              |
|                          |                      |         | AT29C512-90TC | 32T     |                              |
|                          | 50                   | 0.3     | AT29C512-90JI | 32J     | Industrial<br>(-40° to 85°C) |
|                          |                      |         | AT29C512-90PI | 32P6    |                              |
|                          |                      |         | AT29C512-90TI | 32T     |                              |
| 120                      | 50                   | 0.1     | AT29C512-12JC | 32J     | Commercial<br>(0° to 70°C)   |
|                          |                      |         | AT29C512-12PC | 32P6    |                              |
|                          |                      |         | AT29C512-12TC | 32T     |                              |
|                          | 50                   | 0.3     | AT29C512-12JI | 32J     | Industrial<br>(-40° to 85°C) |
|                          |                      |         | AT29C512-12PI | 32P6    |                              |
|                          |                      |         | AT29C512-12TI | 32T     |                              |
| 150                      | 50                   | 0.1     | AT29C512-15JC | 32J     | Commercial<br>(0° to 70°C)   |
|                          |                      |         | AT29C512-15PC | 32P6    |                              |
|                          |                      |         | AT29C512-15TC | 32T     |                              |
|                          | 50                   | 0.3     | AT29C512-15JI | 32J     | Industrial<br>(-40° to 85°C) |
|                          |                      |         | AT29C512-15PI | 32P6    |                              |
|                          |                      |         | AT29C512-15TI | 32T     |                              |

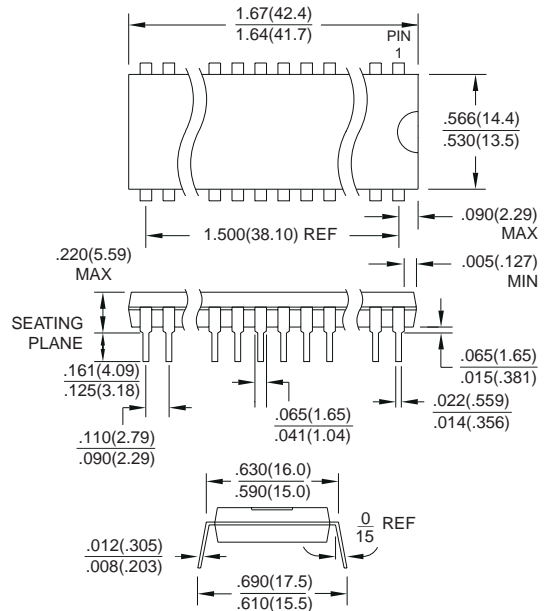
| Package Type |  |
|--------------|--|
| <b>32J</b>   | 32-Lead, Plastic J-Leaded Chip Carrier (PLCC)            |
| <b>32P6</b>  | 32-Lead, 0.600" Wide, Plastic Dual Inline Package (PDIP) |
| <b>32T</b>   | 32-Lead, Thin Small Outline Package (TSOP)               |

## Packaging Information

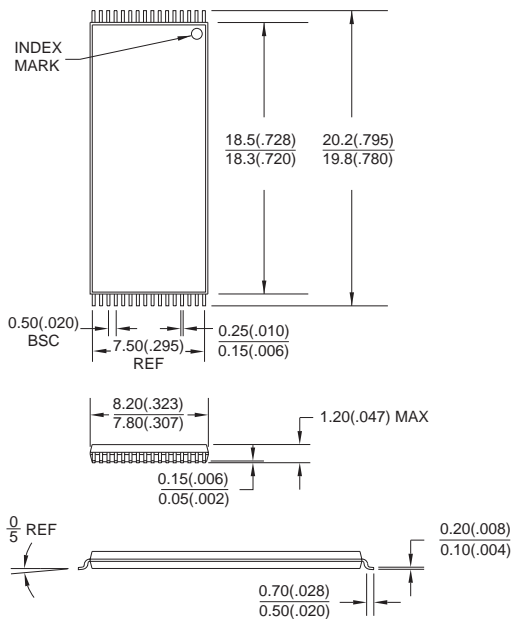
**32J, 32-Lead, Plastic J-Leaded Chip Carrier (PLCC)**  
 Dimensions in Inches and (Millimeters)  
 JEDEC STANDARD MS-016 AE



**32P6, 32-Lead, 0.600" Wide, Plastic Dual Inline Package (PDIP)**  
 Dimensions in Inches and (Millimeters)



**32T, 32-Lead, Plastic Thin Small Outline Package (TSOP)**  
 Dimensions in Millimeters and (Inches)\*  
 JEDEC OUTLINE MO-142 BD



\*Controlling dimension: millimeters







## Atmel Headquarters

**Corporate Headquarters**  
2325 Orchard Parkway  
San Jose, CA 95131  
TEL (408) 441-0311  
FAX (408) 487-2600

### Europe

Atmel U.K., Ltd.  
Coliseum Business Centre  
Riverside Way  
Camberley, Surrey GU15 3YL  
England  
TEL (44) 1276-686677  
FAX (44) 1276-686697

### Asia

Atmel Asia, Ltd.  
Room 1219  
Chinachem Golden Plaza  
77 Mody Road  
Tsimshatsui East  
Kowloon, Hong Kong  
TEL (852) 27219778  
FAX (852) 27221369

### Japan

Atmel Japan K.K.  
Tonetsu Shinkawa Bldg., 9F  
1-24-8 Shinkawa  
Chuo-ku, Tokyo 104-0033  
Japan  
TEL (81) 3-3523-3551  
FAX (81) 3-3523-7581

## Atmel Operations

**Atmel Colorado Springs**  
1150 E. Cheyenne Mtn. Blvd.  
Colorado Springs, CO 80906  
TEL (719) 576-3300  
FAX (719) 540-1759

### Atmel Rousset

Zone Industrielle  
13106 Rousset Cedex, France  
TEL (33) 4 42 53 60 00  
FAX (33) 4 42 53 60 01

---

### ***Fax-on-Demand***

North America:  
1-(800) 292-8635  
International:  
1-(408) 441-0732

### ***e-mail***

[literature@atmel.com](mailto:literature@atmel.com)

### ***Web Site***

<http://www.atmel.com>

### ***BBS***

1-(408) 436-4309

### © Atmel Corporation 1998.

Atmel Corporation makes no warranty for the use of its products, other than those expressly contained in the Company's standard warranty which is detailed in Atmel's Terms and Conditions located on the Company's website. The Company assumes no responsibility for any errors which may appear in this document, reserves the right to change devices or specifications detailed herein at any time without notice, and does not make any commitment to update the information contained herein. No licenses to patents or other intellectual property of Atmel are granted by the Company in connection with the sale of Atmel products, expressly or by implication. Atmel's products are not authorized for use as critical components in life support devices or systems.

Marks bearing ® and/or ™ are registered trademarks and trademarks of Atmel Corporation.

Terms and product names in this document may be trademarks of others.



Printed on recycled paper.

0456C-10/98/xM