

AM26LS32AC, AM26LS33AC, AM26LS32AM, AM26LS33AM QUADRUPLE DIFFERENTIAL LINE RECEIVERS

SLLS115B – OCTOBER 1980 – REVISED MAY 1995

- AM26LS32A Meets or Exceeds the Requirements of ANSI EIA/TIA-422-B, EIA/TIA-423-B, and ITU Recommendations V.10 and V.11
- AM26LS32A Has ± 7 -V Common-Mode Range With ± 200 -mV Sensitivity
- AM26LS32A Has ± 15 -V Common-Mode Range With ± 500 -mV Sensitivity
- Input Hysteresis . . . 50 mV Typical
- Operates From a Single 5-V Supply
- Low-Power Schottky Circuitry
- 3-State Outputs
- Complementary Output Enable Inputs
- Input Impedance . . . 12 k Ω Min
- Designed to Be Interchangeable With Advanced Micro Devices AM26LS32™ and AM26LS33™

description

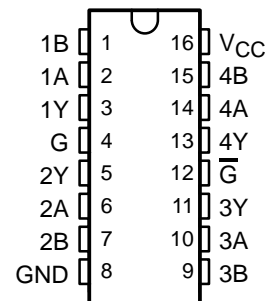
The AM26LS32A and AM26LS33A are quadruple differential line receivers for balanced and unbalanced digital data transmission. The enable function is common to all four receivers and offers a choice of active-high or active-low input. The 3-state outputs permit connection direct to a bus-organized system. Fail-safe design ensures that if the inputs are open, the outputs will always be high.

Compared to the AM26LS32 and the AM26LS33, the AM26LS32A and AM26LS33A incorporate an additional stage of amplification to improve sensitivity. The input impedance has been increased resulting in less loading of the bus line. The additional stage has increased propagation delay; however, this will not affect interchangeability in most applications.

The AM26LS32AC and AM26LS33AC are characterized for operation from 0°C to 70°C. The AM26LS32AM and AM26LS33AM are characterized for operation over the full military temperature range of -55°C to 125°C.

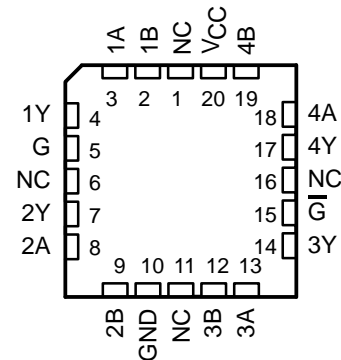
AM26LS32AC, AM26LS33AC . . . D OR N PACKAGE
AM26LS32AM, AM26LS33AM . . . J PACKAGE

(TOP VIEW)



AM26LS32AM, AM26LS33AM . . . FK PACKAGE

(TOP VIEW)



NC—No internal connection

FUNCTION TABLE
(each receiver)

DIFFERENTIAL A - B	ENABLES		OUTPUT Y
	G	G-bar	
$V_{ID} \geq V_{IT+}$	H	X	H
$V_{IT-} \leq V_{ID} \leq V_{IT+}$	X	L	H
$V_{ID} \leq V_{IT-}$	H	X	L
X	X	L	L
Open	L	H	Z
	H	X	H
	X	L	H

H = high level, L = low level, ? = indeterminate,
X = irrelevant, Z = high impedance (off)

AM26LS32 and AM26LS33 are trademarks of Advanced Micro Devices, Inc.

PRODUCTION DATA information is current as of publication date. Products conform to specifications per the terms of Texas Instruments standard warranty. Production processing does not necessarily include testing of all parameters.

 **TEXAS
INSTRUMENTS**

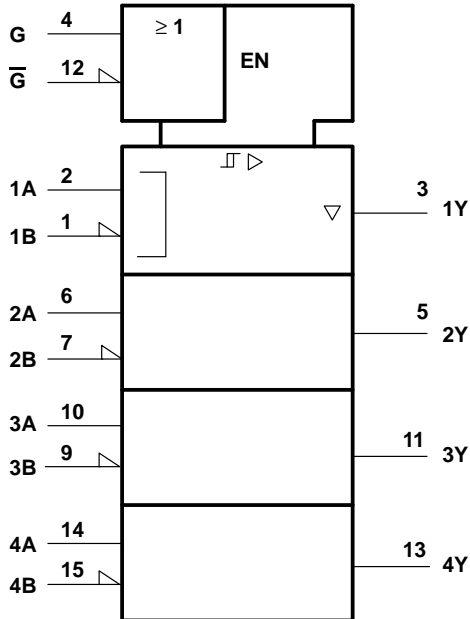
POST OFFICE BOX 655303 • DALLAS, TEXAS 75265

Copyright © 1995, Texas Instruments Incorporated

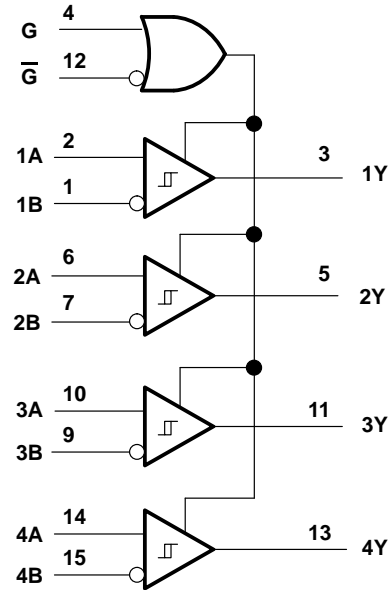
AM26LS32AC, AM26LS33AC, AM26LS32AM, AM26LS33AM QUADRUPLE DIFFERENTIAL LINE RECEIVERS

SLLS115B – OCTOBER 1980 – REVISED MAY 1995

logic symbol†



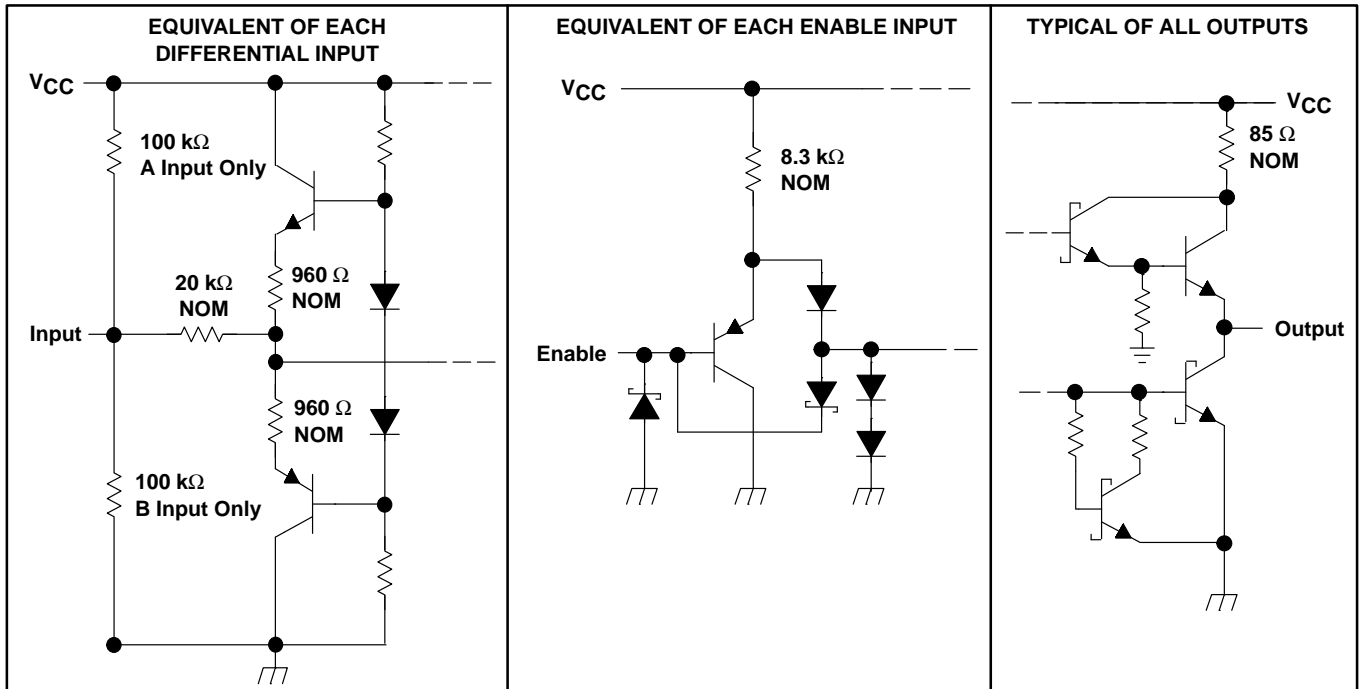
logic diagram (positive logic)



† This symbol is in accordance with ANSI/IEEE Std 91-1984 and IEC Publication 617-12.

Pin numbers shown are for D, J, and N packages.

schematics of inputs and outputs



AM26LS32AC, AM26LS33AC, AM26LS32AM, AM26LS33AM QUADRUPLE DIFFERENTIAL LINE RECEIVERS

SLLS115B – OCTOBER 1980 – REVISED MAY 1995

absolute maximum ratings over operating free-air temperature range (unless otherwise noted)†

		AM26LS32AC AM26LS33AC	AM26LS32AM AM26LS33AM	UNIT
Supply voltage, V_{CC} (see Note 1)		7	7	V
Input voltage, V_I	Any differential input	± 25	± 25	V
	Other inputs	7	7	
Differential input voltage, V_{ID} (see Note 2)		± 25	± 25	V
Continuous total power dissipation		See Dissipation Rating Table		
Operating free-air temperature range, T_A		0 to 70	-55 to 125	$^{\circ}\text{C}$
Storage temperature range, T_{stg}		-65 to 150	-65 to 150	$^{\circ}\text{C}$
Lead temperature 1,6 mm (1/16 inch) from case for 10 seconds	D or N package	260		$^{\circ}\text{C}$
Case temperature for 60 seconds, T_C	FK package		260	$^{\circ}\text{C}$
Lead temperature 1,6 mm (1/16 inch) from case for 60 seconds	J package	300	300	$^{\circ}\text{C}$

† Stresses beyond those listed under “absolute maximum ratings” may cause permanent damage to the device. These are stress ratings only, and functional operation of the device at these or any other conditions beyond those indicated under “recommended operating conditions” is not implied. Exposure to absolute-maximum-rated conditions for extended periods may affect device reliability.

- NOTES: 1. All voltage values, except differential voltages, are with respect to the network ground terminal.
2. Differential voltage values are at the noninverting (A) input terminals with respect to the inverting (B) input terminals.

DISSIPATION RATING TABLE

PACKAGE	$T_A \leq 25^{\circ}\text{C}$	DERATING FACTOR	$T_A = 70^{\circ}\text{C}$	$T_A = 125^{\circ}\text{C}$
	POWER RATING	ABOVE $T_A = 25^{\circ}\text{C}$	POWER RATING	POWER RATING
D	950 mW	7.6 mW/ $^{\circ}\text{C}$	608 mW	—
FK	1375 mW	11.0 mW/ $^{\circ}\text{C}$	880 mW	275 mW
J	1375 mW	11.0 mW/ $^{\circ}\text{C}$	880 mW	275 mW
N	1150 mW	9.2 mW/ $^{\circ}\text{C}$	736 mW	—

recommended operating conditions

	AM26LS32AC AM26LS33AC			AM26LS32AM AM26LS33AM			UNIT
	MIN	NOM	MAX	MIN	NOM	MAX	
Supply voltage, V_{CC}	4.75	5	5.25	4.5	5	5.5	V
High-level input voltage, V_{IH}	2			2			V
Low-level input voltage, V_{IL}	0.8			0.8			V
Common-mode input voltage, V_{IC}	AM26LS32AC, AM26LS32AM			± 7			V
	AM26LS33AC, AM26LS33AM			± 15			
High-level output current, I_{OH}	-440			-440			μA
Low-level output current, I_{OL}	8			8			mA
Operating free-air temperature, T_A	0			70			$^{\circ}\text{C}$



AM26LS32AC, AM26LS33AC, AM26LS32AM, AM26LS33AM QUADRUPLE DIFFERENTIAL LINE RECEIVERS

SLLS115B – OCTOBER 1980 – REVISED MAY 1995

electrical characteristics over recommended ranges of V_{CC} , V_{IC} , and operating free-air temperature (unless otherwise noted)

PARAMETER		TEST CONDITIONS		MIN	TYP†	MAX	UNIT	
V_{IT+}	Positive-going input threshold voltage	$V_O = V_{OHmin}$, $I_{OH} = -440 \mu A$	AM26LS32A			0.2	V	
			AM26LS33A			0.5		
V_{IT-}	Negative-going input threshold voltage	$V_O = 0.45 V$, $I_{OL} = 8 mA$	AM26LS32A			$-0.2\ddagger$	V	
			AM26LS33A			$-0.5\ddagger$		
V_{hys}	Hysteresis voltage ($V_{IT+} - V_{IT-}$)				50		mV	
V_{IK}	Enable input clamp voltage	$V_{CC} = MIN$, $I_I = -18 mA$				-1.5	V	
V_{OH}	High-level output voltage	$V_{CC} = MIN$, $V_{I(G)} = 0.8 V$, $V_{ID} = 1 V$, $I_{OH} = -440 \mu A$	'32AC, '33AC			2.7	V	
			'32AM, '33AM			2.5		
V_{OL}	Low-level output voltage	$V_{CC} = MIN$, $V_{I(G)} = 0.8 V$, $V_{ID} = -1 V$	$I_{OL} = 4 mA$			0.4	V	
			$I_{OL} = 8 mA$			0.45		
I_{OZ}	Off-state (high-impedance-state) output current	$V_{CC} = MAX$	$V_O = 2.4 V$			20	μA	
			$V_O = 0.4 V$			-20		
I_I	Line input current	$V_I = 15 V$, Other input at $-10 V$ to $15 V$				1.2	mA	
		$V_I = -15 V$, Other input at $-15 V$ to $10 V$				-1.7		
$I_{I(EN)}$	Enable input current	$V_I = 5.5 V$				100	μA	
I_{IH}	High-level enable current	$V_I = 2.7 V$				20	μA	
I_{IL}	Low-level enable current	$V_I = 0.4 V$				-0.36	mA	
r_I	Input resistance	$V_{IC} = -15 V$ to $15 V$, One input to ac ground			12	15	$k\Omega$	
I_{OS}	Short-circuit output current§	$V_{CC} = MAX$			-15	-85	mA	
I_{CC}	Supply current	$V_{CC} = MAX$, All outputs disabled				52	70	mA

† All typical values are at $V_{CC} = 5 V$, $T_A = 25^\circ C$, and $V_{IC} = 0$.

‡ The algebraic convention, in which the less positive (more negative) limit is designated as minimum, is used in this data sheet for threshold levels only.

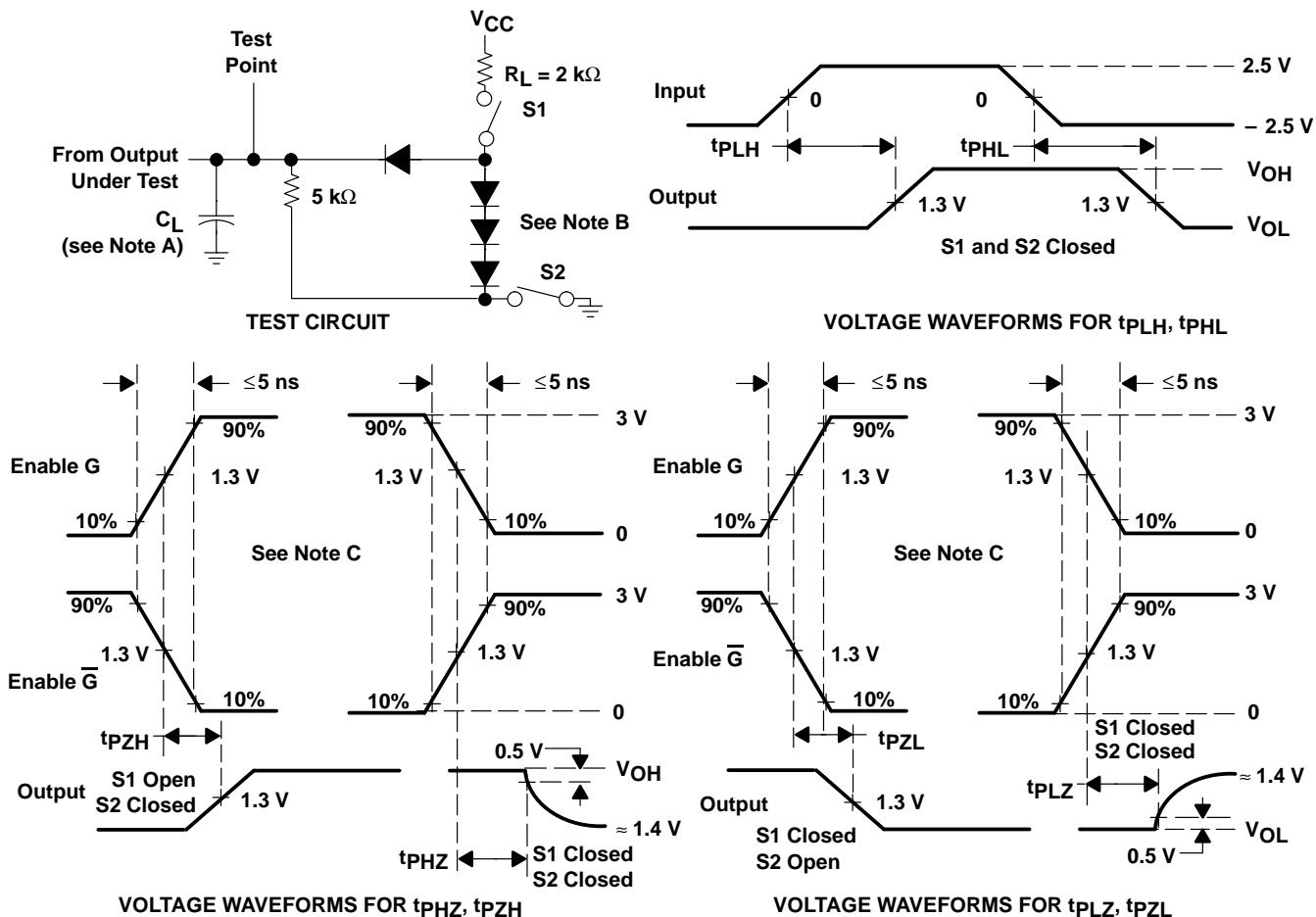
§ Not more than one output should be shorted to ground at a time, and duration of the short circuit should not exceed one second.

switching characteristics, $V_{CC} = 5 V$, $T_A = 25^\circ C$

PARAMETER		TEST CONDITIONS		MIN	TYP	MAX	UNIT
t_{PLH}	Propagation delay time, low-to-high-level output	$C_L = 15 pF$, See Figure 1			20	35	ns
t_{PHL}	Propagation delay time, high-to-low-level output				22	35	
t_{PZH}	Output enable time to high level	$C_L = 15 pF$, See Figure 1			17	22	ns
t_{PZL}	Output enable time to low level				20	25	
t_{PHZ}	Output disable time from high level	$C_L = 5 pF$, See Figure 1			21	30	ns
t_{PLZ}	Output disable time from low level				30	40	



PARAMETER MEASUREMENT INFORMATION



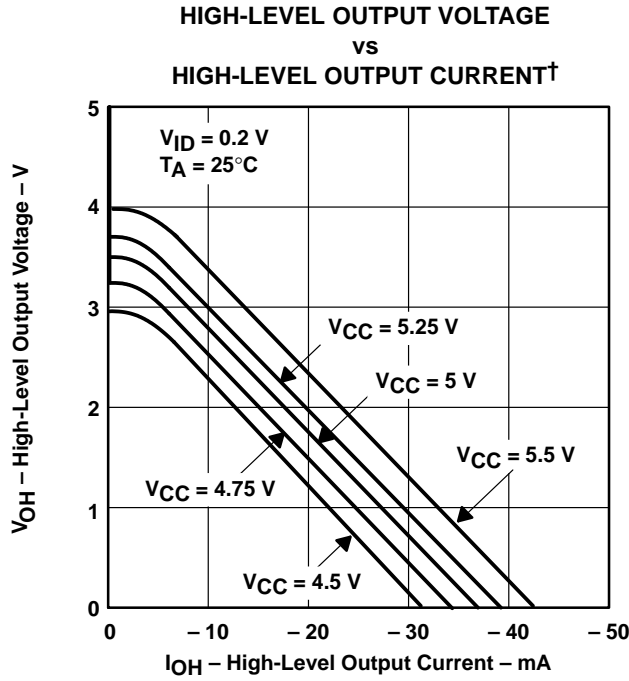
- NOTES: A. C_L includes probe and jig capacitance.
 B. All diodes are 1N3064 or equivalent.
 C. Enable G is tested with \bar{G} high; \bar{G} is tested with G low.

Figure 1

AM26LS32AC, AM26LS33AC, AM26LS32AM, AM26LS33AM QUADRUPLE DIFFERENTIAL LINE RECEIVERS

SLLS115B – OCTOBER 1980 – REVISED MAY 1995

TYPICAL CHARACTERISTICS



† $V_{CC} = 5.5\text{ V}$ and $V_{CC} = 4.5\text{ V}$ applies to M-suffix devices only.

Figure 2

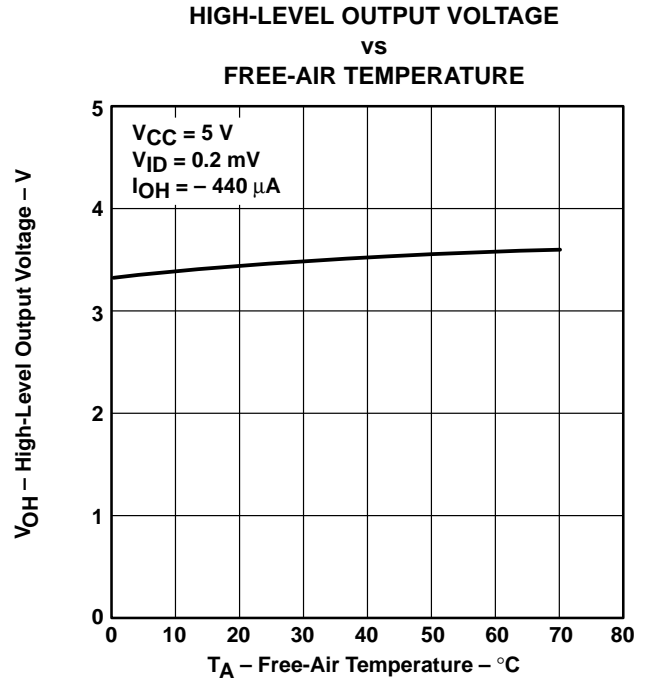


Figure 3

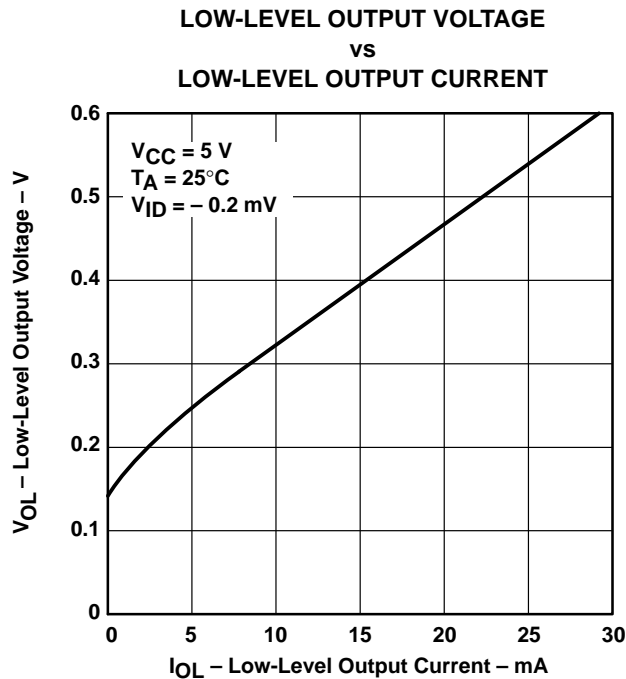


Figure 4

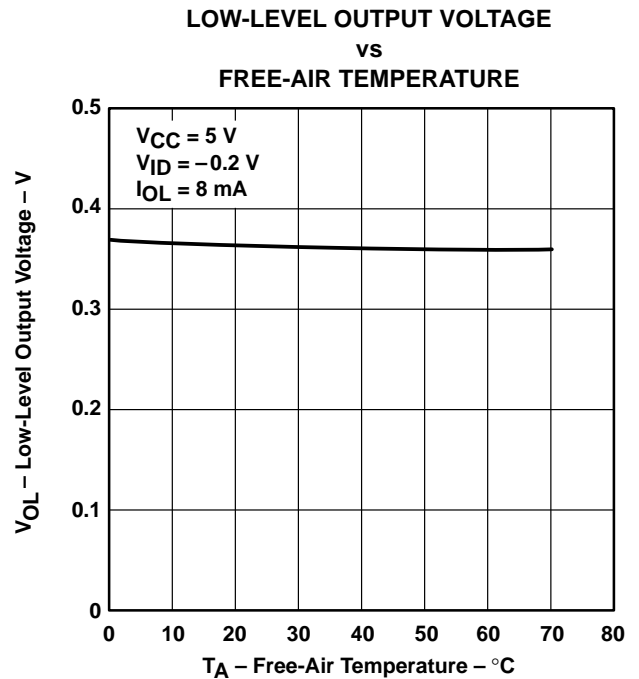


Figure 5

TYPICAL CHARACTERISTICS

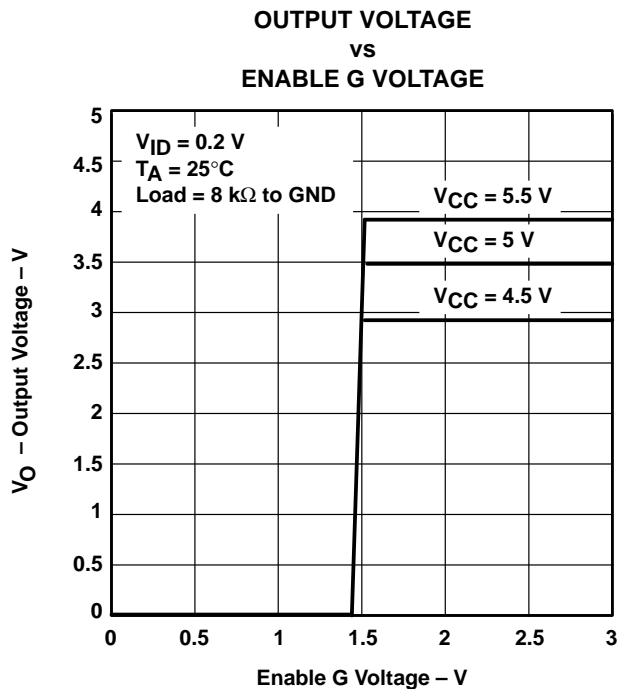


Figure 6

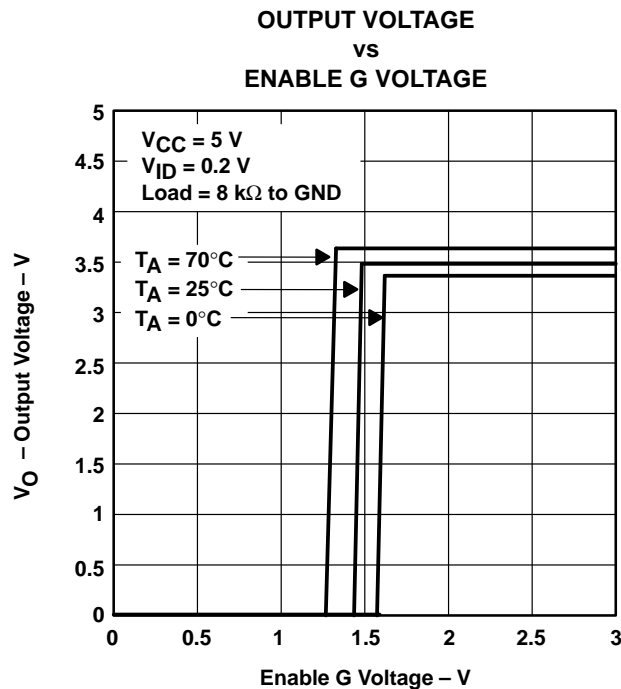


Figure 7

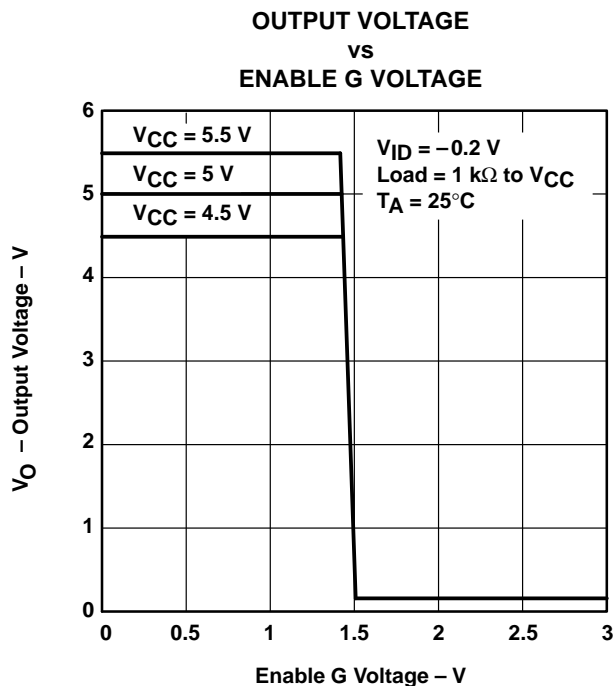


Figure 8

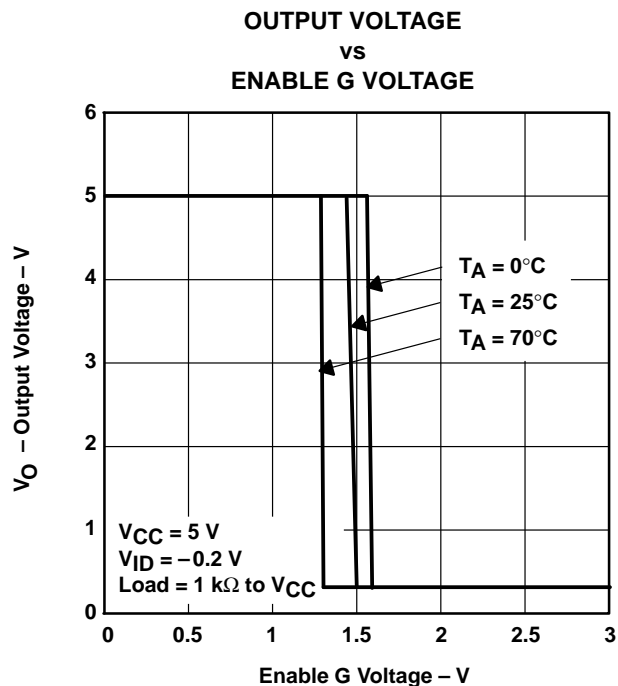


Figure 9

AM26LS32AC, AM26LS33AC, AM26LS32AM, AM26LS33AM QUADRUPLE DIFFERENTIAL LINE RECEIVERS

SLLS115B – OCTOBER 1980 – REVISED MAY 1995

TYPICAL CHARACTERISTICS

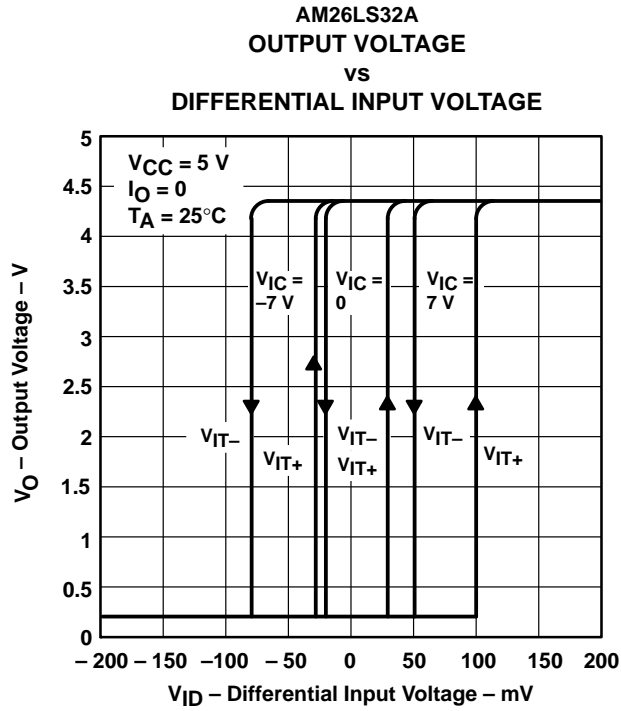


Figure 10

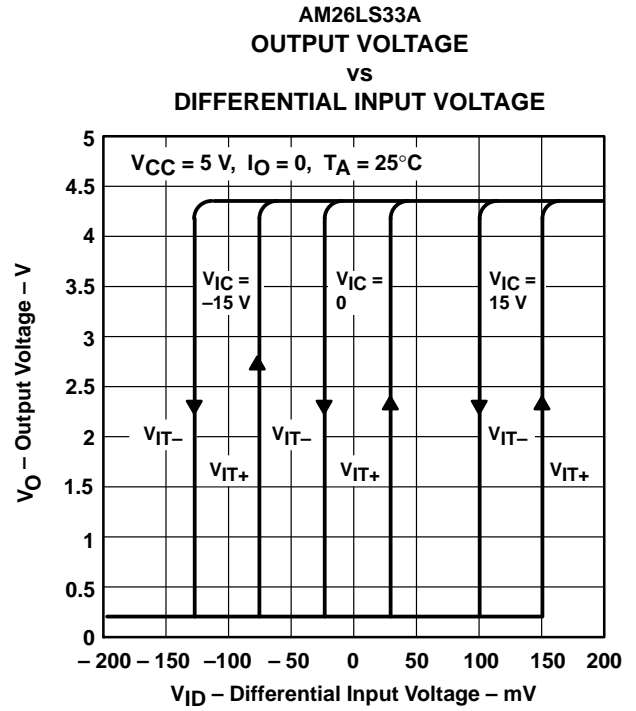
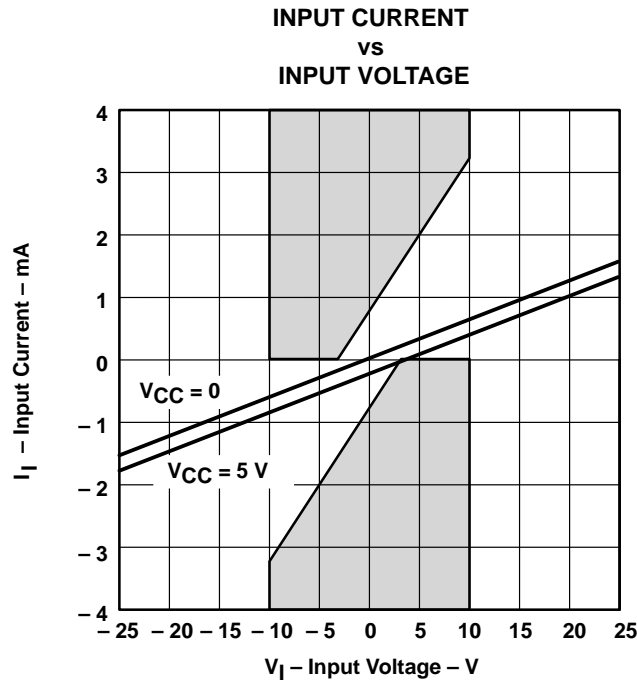


Figure 11



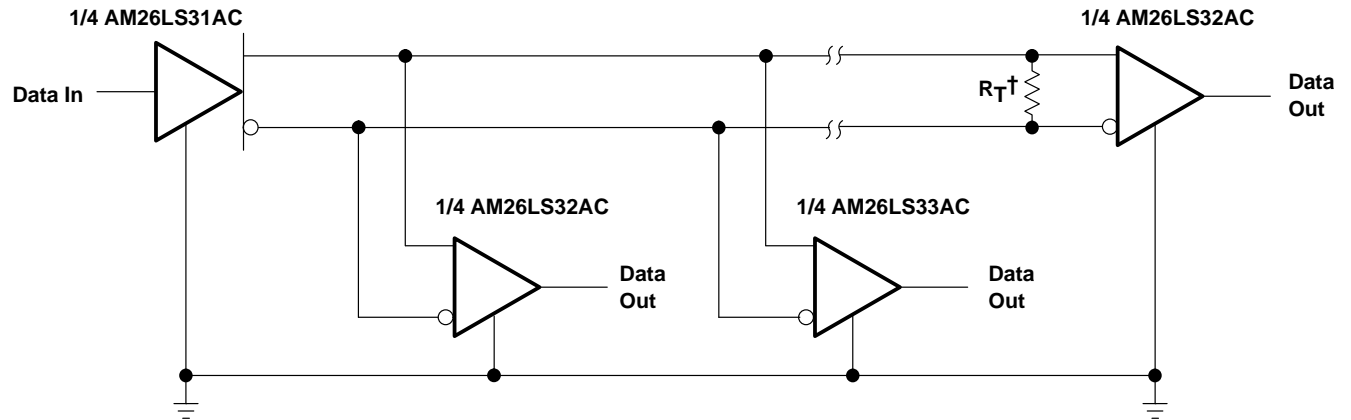
The Unshaded Area Shows Requirements of Paragraph 4.2.1 of ANSI Standards EIA/TIA-422-B and EIA/TIA-423-B

Figure 12

AM26LS32AC, AM26LS33AC, AM26LS32AM, AM26LS33AM QUADRUPLE DIFFERENTIAL LINE RECEIVERS

SLLS115B – OCTOBER 1980 – REVISED MAY 1995

APPLICATION INFORMATION



† R_T equals the characteristic impedance of the line.

Figure 13. Circuit With Multiple Receivers

IMPORTANT NOTICE

Texas Instruments (TI) reserves the right to make changes to its products or to discontinue any semiconductor product or service without notice, and advises its customers to obtain the latest version of relevant information to verify, before placing orders, that the information being relied on is current.

TI warrants performance of its semiconductor products and related software to the specifications applicable at the time of sale in accordance with TI's standard warranty. Testing and other quality control techniques are utilized to the extent TI deems necessary to support this warranty. Specific testing of all parameters of each device is not necessarily performed, except those mandated by government requirements.

Certain applications using semiconductor products may involve potential risks of death, personal injury, or severe property or environmental damage ("Critical Applications").

TI SEMICONDUCTOR PRODUCTS ARE NOT DESIGNED, INTENDED, AUTHORIZED, OR WARRANTED TO BE SUITABLE FOR USE IN LIFE-SUPPORT APPLICATIONS, DEVICES OR SYSTEMS OR OTHER CRITICAL APPLICATIONS.

Inclusion of TI products in such applications is understood to be fully at the risk of the customer. Use of TI products in such applications requires the written approval of an appropriate TI officer. Questions concerning potential risk applications should be directed to TI through a local SC sales office.

In order to minimize risks associated with the customer's applications, adequate design and operating safeguards should be provided by the customer to minimize inherent or procedural hazards.

TI assumes no liability for applications assistance, customer product design, software performance, or infringement of patents or services described herein. Nor does TI warrant or represent that any license, either express or implied, is granted under any patent right, copyright, mask work right, or other intellectual property right of TI covering or relating to any combination, machine, or process in which such semiconductor products or services might be or are used.