

# AH5020C

*AH5020C Monolithic Analog Current Switch*



Literature Number: SNOSBD5A

## AH5020C Monolithic Analog Current Switch

### General Description

This versatile dual monolithic JFET analog switch economically fulfills a wide variety of multiplexing and analog switching applications.

These switches may be driven directly from standard 5V logic.

The monolithic construction guarantees tight resistance match and track.

### Features

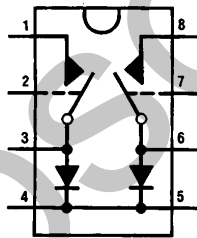
- Interfaces with standard TTL
- "ON" resistance match 2Ω
- Low "ON" resistance 150Ω
- Very low leakage 50 pA
- Large analog signal range ± 10V peak
- High switching speed 150 ns
- Excellent isolation between channels 80 dB at 1 kHz

### Applications

- A/D and D/A converters
  - Micropower converters
  - Industrial controllers
  - Position controllers
  - Data acquisition
  - Active filters
  - Signal multiplexers/demultiplexers
  - Multiple channel AGC
  - Quad compressors/expanders
  - Choppers/demodulators
  - Programmable gain amplifiers
  - High impedance voltage buffer
  - Sample and hold
- For voltage switching applications see LF13201, LF13202, LF13331, LF13332, and LF13333 Analog Switch Family, or the CMOS Analog Switch Family.

### Connection and Schematic Diagrams (All switches shown are for logical "1")

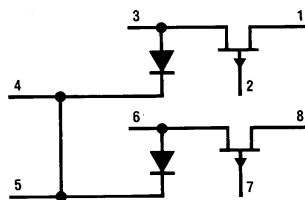
Dual-In-Line Package



TL/H/5166-1

Top View

Order Number AH5020CJ  
See NS Package Number J08A



TL/H/5166-2

**Note:** All diode cathodes are internally connected to the substrate.

## Absolute Maximum Ratings (Note 1)

If Military/Aerospace specified devices are required, please contact the National Semiconductor Sales Office/Distributors for availability and specifications.

Input Voltage	30V
Positive Analog Signal Voltage	30V
Negative Analog Signal Voltage	-15V
Diode Current	10 mA

Drain Current	30 mA
Power Dissipation	500 mW
Operating Temp. Range	-25°C to +85°C
Storage Temperature Range	-65°C to +150°C
Lead Temp. (Soldering, 10 seconds)	300°C

## Electrical Characteristics (Notes 2 and 3)

Symbols	Parameter	Conditions	Typ	Max	Units
$I_{GSX}$	Input Current "OFF"	$V_{GD} = 4.5V, V_{SD} = 0.7V$	0.01	0.1	nA
		$V_{GD} = 11V, V_{SD} = 0.7V$	0.01	0.2	nA
		$T_A = 85^\circ C, V_{GD} = 11V, V_{SD} = 0.7V$		10	nA
$I_{D(OFF)}$	Leakage Current "OFF"	$V_{SD} = 0.7V, V_{GS} = 3.8V$	0.01	0.2	nA
		$T_A = 85^\circ C$		10	nA
$I_{G(ON)}$	Leakage Current "ON"	$V_{GD} = 0V, I_S = 1 mA$	0.08	1	nA
		$T_A = 85^\circ C$		200	nA
$I_{G(ON)}$	Leakage Current "ON"	$V_{GD} = 0V, I_S = 2 mA$	0.13	5	nA
		$T_A = 85^\circ C$		10	$\mu A$
$I_{G(ON)}$	Leakage Current "ON"	$V_{GD} = 0V, I_S = -2 mA$	0.1	10	nA
		$T_A = 85^\circ C$		20	$\mu A$
$r_{DS(ON)}$	Drain-Source Resistance	$V_{GS} = 0.5V, I_S = 2 mA$	90	150	$\Omega$
		$T_A = +85^\circ C$		240	$\Omega$
$V_{DIODE}$	Forward Diode Drop	$I_D = 0.5 mA$		0.8	V
$r_{DS(ON)}$	Match	$V_{GS} = 0, I_D = 1 mA$	2	20	$\Omega$
$T_{ON}$	Turn "ON" Time	See ac Test Circuit	150	500	ns
$T_{OFF}$	Turn "OFF" Time	See ac Test Circuit	300	500	ns
CT	Cross Talk	See ac Test Circuit	120		dB

**Note 1:** Absolute Maximum Ratings indicate limits beyond which damage to the device may occur. DC and AC electrical specifications do not apply when operating the device beyond its specified operating conditions.

**Note 2:** Test conditions 25°C unless otherwise noted.

**Note 3:** "OFF" and "ON" notation refers to the conduction state of the FET switch.

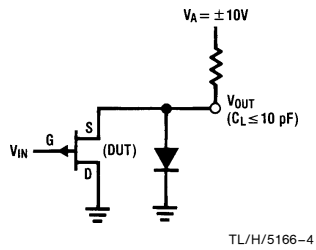
**Note 4:** Thermal Resistance:

$\theta_{JA}$  (Junction to Ambient) .....N/A

$\theta_{JC}$  (Junction to Case) .....N/A

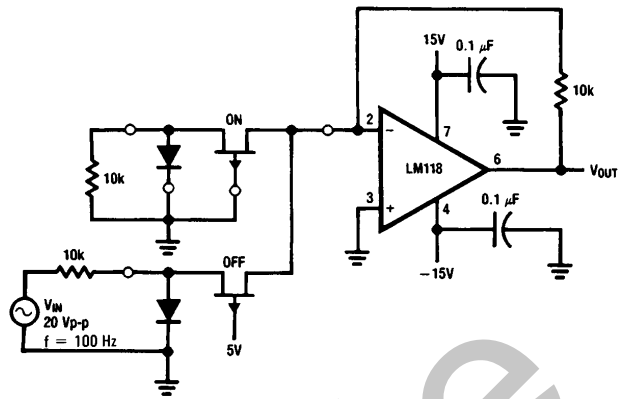
## Test Circuits

AC Test Circuit



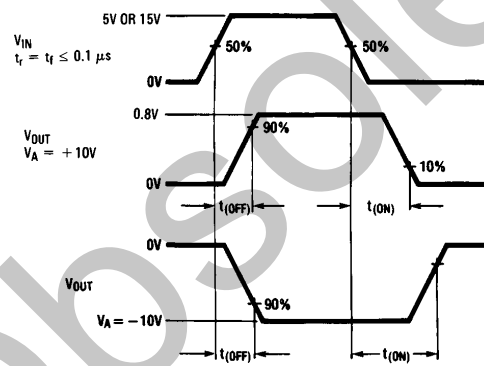
TL/H/5166-4

Cross Talk Test Circuit



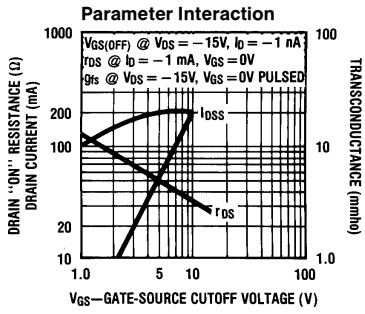
TL/H/5166-3

## Switching Time Waveforms

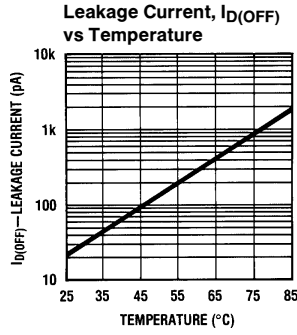


TL/H/5166-5

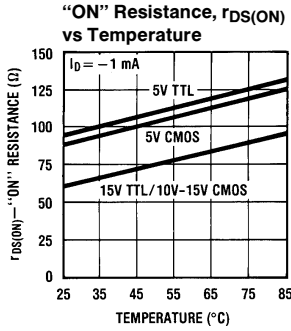
# Typical Performance Characteristics



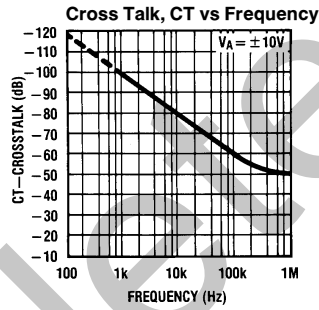
TL/H/5166-6



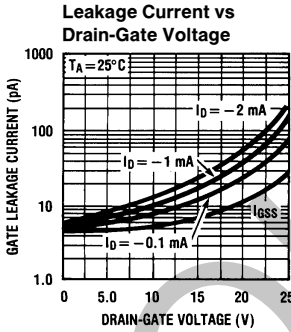
TL/H/5166-7



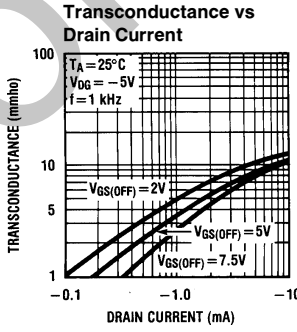
TL/H/5166-8



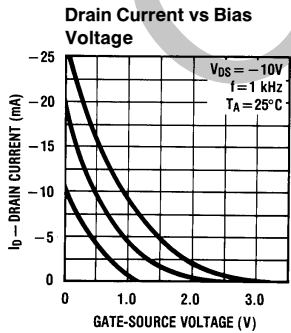
TL/H/5166-9



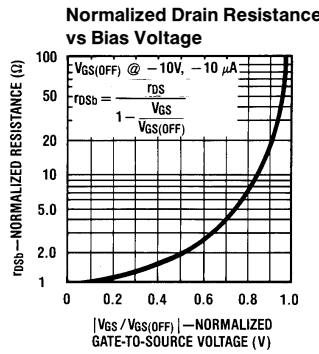
TL/H/5166-10



TL/H/5166-11



TL/H/5166-12



TL/H/5166-13

## Applications Information

### THEORY OF OPERATION

The AH5020 analog switches are primarily intended for operation in current mode switch applications; i.e., the drains of the FET switch are held at or near ground by operating into the summing junction of an operational amplifier. Limiting the drain voltage to under a few hundred millivolts eliminates the need for a special gate driver, allowing the switches to be driven directly by standard TTL.

If only one of the two switches in each package is used to apply an input signal to the input of an op amp, the other switch FET can be placed in the feedback path in order to compensate for the "ON" resistance of the switch FET as shown in *Figure 1*.

The closed-loop gain of *Figure 1* is:

$$A_{VCL} = - \frac{R_2 + r_{DS(ON)Q2}}{R_1 + r_{DS(ON)Q1}}$$

For  $R_1 = R_2$ , gain accuracy is determined by the  $r_{DS(ON)}$  match between Q1 and Q2. Typical match between Q1 and Q2 is  $2\Omega$  resulting in a gain accuracy of 0.02% (for  $R_1 = R_2 = 10\text{ k}\Omega$ ).

### NOISE IMMUNITY

The switches with the source diodes grounded exhibit improved noise immunity for positive analog signals in the "OFF" state. With  $V_{IN} = 15\text{V}$  and the  $V_A = 10\text{V}$ , the source of Q1 is clamped to about 0.7V by the diode ( $V_{GS} = 14.3\text{V}$ ) ensuring that ac signals imposed on the 10V input will not gate the FET "ON".

### SELECTION OF GAIN SETTING RESISTORS

Since the AH5020 analog switches are operated in current mode, it is generally advisable to make the signal current as large as possible. However, current through the FET switch tends to forward bias the source to gate junction and the signal shunting diode resulting in leakage through these junctions. As shown in *Figure 2*,  $I_{G(ON)}$  represents a finite error in the current reaching the summing junction of the op amp.

Secondly, the  $r_{DS(ON)}$  of the FET begins to "round" as  $I_S$  approaches  $I_{DSS}$ . A practical rule of thumb is to maintain  $I_S$  at less than  $1/10$  of  $I_{DSS}$ .

Combining the criteria from the above discussion yields:

$$R_{1(MIN)} \geq \frac{V_A(MAX) \Delta D}{I_{G(ON)}} \quad (2a)$$

or:

$$\geq \frac{V_A(MAX)}{I_{DSS}/10} \quad (2b)$$

whichever is larger.

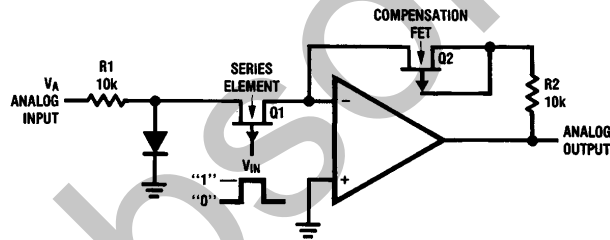


FIGURE 1. Use of Compensation FET

TL/H/5166-14

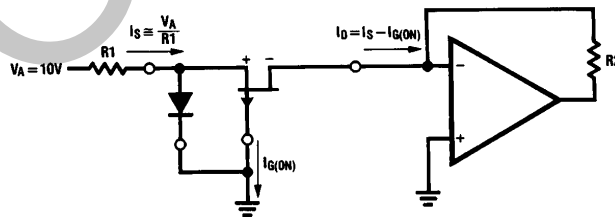


FIGURE 2. On Leakage Current,  $I_{G(ON)}$

TL/H/5166-15

## Applications Information (Continued)

Where  $V_{A(MAX)}$  = Peak amplitude of the analog input signal

$A_D$  = Desired accuracy

$I_{G(ON)}$  = Leakage at a given  $I_S$

$I_{DSS}$  = Saturation current of the FET switch  
= 20 mA

In a typical application,  $V_A$  might =  $\pm 10V$ ,  $A_D = 0.1\%$ ,  $0^\circ C \leq T_A \leq 85^\circ C$ . The criterion of equation (2b) predicts:

$$R1(MIN) \geq \frac{10V}{\frac{20 \text{ mA}}{10}} = 5 \text{ k}\Omega$$

For  $R1 = 5k$ ,  $I_S \cong 10V/5k$  or 2 mA. The electrical characteristics guarantee an  $I_{G(ON)} \leq 1\mu A$  at  $85^\circ C$  for the AH5020. Per the criterion of equation (2a):

$$R1(MIN) \geq \frac{(10V)(10^{-3})}{1 \times 10^{-6}} \geq 10 \text{ k}\Omega$$

Since equation (2a) predicts a higher value, the 10k resistor should be used.

The "OFF" condition of the FET also affects gain accuracy. As shown in Figure 3, the leakage across Q2,  $I_{D(OFF)}$  represents a finite error in the current arriving at the summing junction of the op amp.

Accordingly:

$$R1(MAX) \leq \frac{V_{A(MIN)} A_D}{(N) I_{D(OFF)}}$$

Where  $V_{A(MIN)}$  = Minimum value for the analog input signal

$A_D$  = Desired accuracy

$N$  = Number of channels

$I_{D(OFF)}$  = "OFF" leakage of a given FET switch

As an example, if  $N = 10$ ,  $A_D = 0.1\%$ , and  $I_{D(OFF)} \leq 10 \text{ nA}$  at  $85^\circ C$  for the AH5020.  $R1(MAX)$  is:

$$R1(MAX) \leq \frac{(1V)(10^{-3})}{(10)(10 \times 10^{-9})} = 10k$$

Selection of  $R2$ , of course, depends on the gain desired and for unity gain  $R1 = R2$ .

Lastly, the foregoing discussion has ignored resistor tolerances, input bias current and offset voltage of the op amp—all of which should be considered in setting the overall gain accuracy of the circuit.

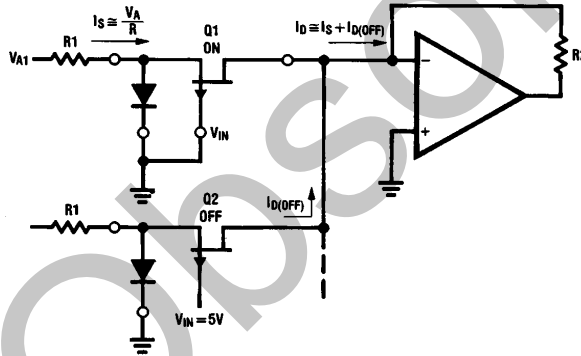


FIGURE 3. Off Leakage Current,  $I_{D(OFF)}$

TL/H/5166-16

## Applications Information (Continued)

### TTL COMPATIBILITY

Standard TTL gates pull-up to about 3.5V (no load). In order to ensure turn-off of the AH5020, a pull-up resistor,  $R_{EXT}$  of at least 10 k $\Omega$  should be placed between the 5V  $V_{CC}$  and the gate output as shown in *Figure 4*.

### DEFINITION OF TERMS

The terms referred to in the electrical characteristics tables are as defined in *Figure 5*.

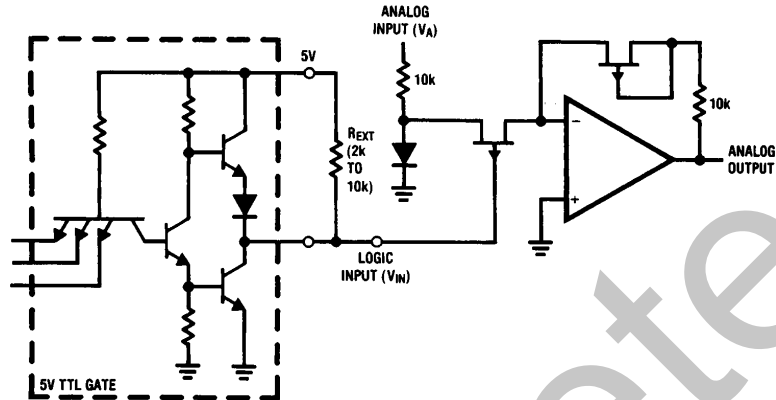


FIGURE 4. Interfacing with +5V TTL

TL/H/5166-17

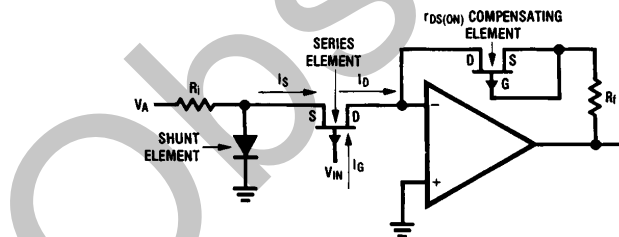


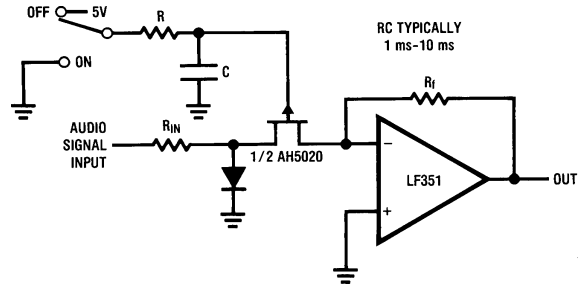
FIGURE 5. Definition of Terms

TL/H/5166-18



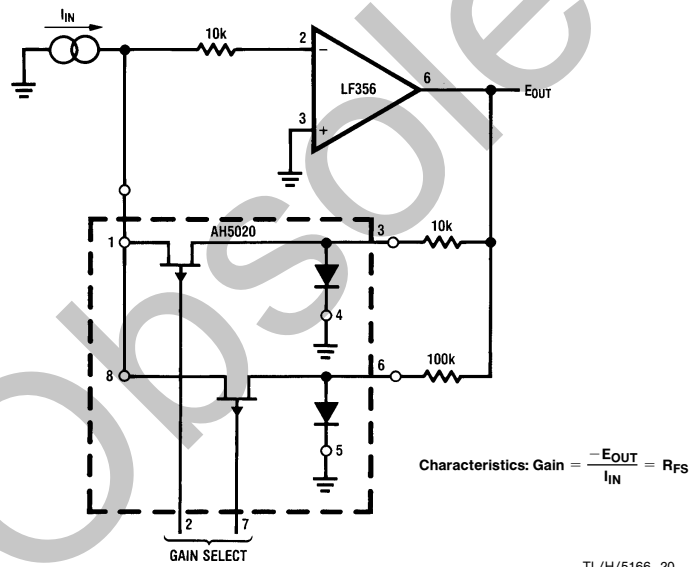
## Typical Applications

### Deglitched Switch for Noiseless Audio Switching



TL/H/5166-19

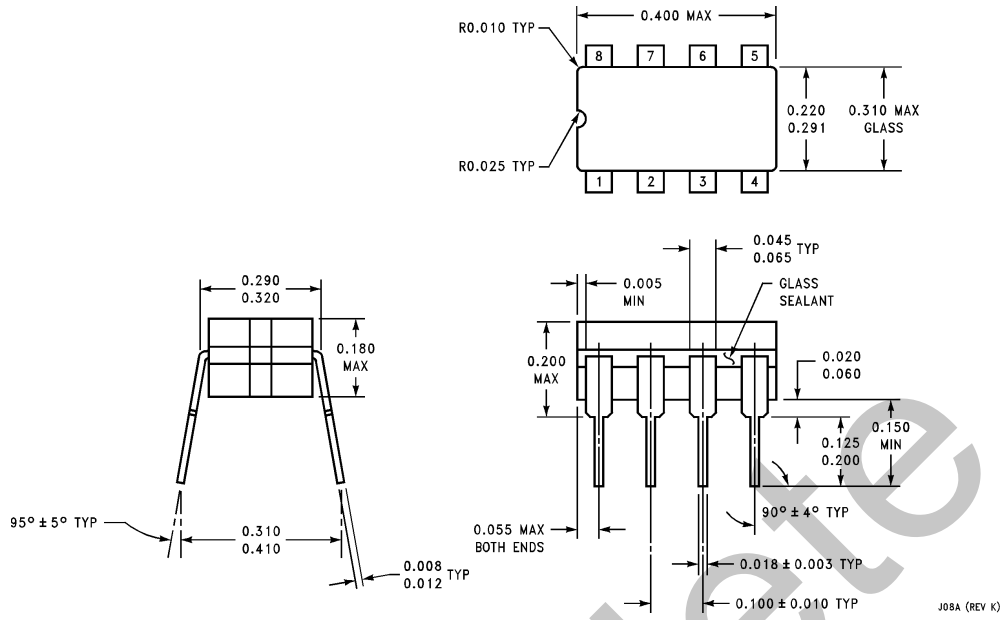
### Gain Programmable Amplifier



TL/H/5166-20

Obsolete

**Physical Dimensions** inches (millimeters)



**LIFE SUPPORT POLICY**

NATIONAL'S PRODUCTS ARE NOT AUTHORIZED FOR USE AS CRITICAL COMPONENTS IN LIFE SUPPORT DEVICES OR SYSTEMS WITHOUT THE EXPRESS WRITTEN APPROVAL OF THE PRESIDENT OF NATIONAL SEMICONDUCTOR CORPORATION. As used herein:

1. Life support devices or systems are devices or systems which, (a) are intended for surgical implant into the body, or (b) support or sustain life, and whose failure to perform, when properly used in accordance with instructions for use provided in the labeling, can be reasonably expected to result in a significant injury to the user.
2. A critical component is any component of a life support device or system whose failure to perform can be reasonably expected to cause the failure of the life support device or system, or to affect its safety or effectiveness.



**National Semiconductor Corporation**  
 1111 West Bardin Road  
 Arlington, TX 76017  
 Tel: 1(800) 272-9959  
 Fax: 1(800) 737-7018

**National Semiconductor Europe**  
 Fax: (+49) 0-180-530 85 86  
 Email: cnjwge@tevm2.nsc.com  
 Deutsch Tel: (+49) 0-180-530 85 85  
 English Tel: (+49) 0-180-532 78 32  
 Français Tel: (+49) 0-180-532 93 58  
 Italiano Tel: (+49) 0-180-534 16 80

**National Semiconductor Hong Kong Ltd.**  
 19th Floor, Straight Block,  
 Ocean Centre, 5 Canton Rd.  
 Tsimshatsui, Kowloon  
 Hong Kong  
 Tel: (852) 2737-1600  
 Fax: (852) 2736-9960

**National Semiconductor Japan Ltd.**  
 Tel: 81-043-299-2309  
 Fax: 81-043-299-2408

National does not assume any responsibility for use of any circuitry described, no circuit patent licenses are implied and National reserves the right at any time without notice to change said circuitry and specifications.

## IMPORTANT NOTICE

Texas Instruments Incorporated and its subsidiaries (TI) reserve the right to make corrections, modifications, enhancements, improvements, and other changes to its products and services at any time and to discontinue any product or service without notice. Customers should obtain the latest relevant information before placing orders and should verify that such information is current and complete. All products are sold subject to TI's terms and conditions of sale supplied at the time of order acknowledgment.

TI warrants performance of its hardware products to the specifications applicable at the time of sale in accordance with TI's standard warranty. Testing and other quality control techniques are used to the extent TI deems necessary to support this warranty. Except where mandated by government requirements, testing of all parameters of each product is not necessarily performed.

TI assumes no liability for applications assistance or customer product design. Customers are responsible for their products and applications using TI components. To minimize the risks associated with customer products and applications, customers should provide adequate design and operating safeguards.

TI does not warrant or represent that any license, either express or implied, is granted under any TI patent right, copyright, mask work right, or other TI intellectual property right relating to any combination, machine, or process in which TI products or services are used. Information published by TI regarding third-party products or services does not constitute a license from TI to use such products or services or a warranty or endorsement thereof. Use of such information may require a license from a third party under the patents or other intellectual property of the third party, or a license from TI under the patents or other intellectual property of TI.

Reproduction of TI information in TI data books or data sheets is permissible only if reproduction is without alteration and is accompanied by all associated warranties, conditions, limitations, and notices. Reproduction of this information with alteration is an unfair and deceptive business practice. TI is not responsible or liable for such altered documentation. Information of third parties may be subject to additional restrictions.

Resale of TI products or services with statements different from or beyond the parameters stated by TI for that product or service voids all express and any implied warranties for the associated TI product or service and is an unfair and deceptive business practice. TI is not responsible or liable for any such statements.

TI products are not authorized for use in safety-critical applications (such as life support) where a failure of the TI product would reasonably be expected to cause severe personal injury or death, unless officers of the parties have executed an agreement specifically governing such use. Buyers represent that they have all necessary expertise in the safety and regulatory ramifications of their applications, and acknowledge and agree that they are solely responsible for all legal, regulatory and safety-related requirements concerning their products and any use of TI products in such safety-critical applications, notwithstanding any applications-related information or support that may be provided by TI. Further, Buyers must fully indemnify TI and its representatives against any damages arising out of the use of TI products in such safety-critical applications.

TI products are neither designed nor intended for use in military/aerospace applications or environments unless the TI products are specifically designated by TI as military-grade or "enhanced plastic." Only products designated by TI as military-grade meet military specifications. Buyers acknowledge and agree that any such use of TI products which TI has not designated as military-grade is solely at the Buyer's risk, and that they are solely responsible for compliance with all legal and regulatory requirements in connection with such use.

TI products are neither designed nor intended for use in automotive applications or environments unless the specific TI products are designated by TI as compliant with ISO/TS 16949 requirements. Buyers acknowledge and agree that, if they use any non-designated products in automotive applications, TI will not be responsible for any failure to meet such requirements.

Following are URLs where you can obtain information on other Texas Instruments products and application solutions:

### Products

Audio	<a href="http://www.ti.com/audio">www.ti.com/audio</a>
Amplifiers	<a href="http://amplifier.ti.com">amplifier.ti.com</a>
Data Converters	<a href="http://dataconverter.ti.com">dataconverter.ti.com</a>
DLP® Products	<a href="http://www.dlp.com">www.dlp.com</a>
DSP	<a href="http://dsp.ti.com">dsp.ti.com</a>
Clocks and Timers	<a href="http://www.ti.com/clocks">www.ti.com/clocks</a>
Interface	<a href="http://interface.ti.com">interface.ti.com</a>
Logic	<a href="http://logic.ti.com">logic.ti.com</a>
Power Mgmt	<a href="http://power.ti.com">power.ti.com</a>
Microcontrollers	<a href="http://microcontroller.ti.com">microcontroller.ti.com</a>
RFID	<a href="http://www.ti-rfid.com">www.ti-rfid.com</a>
OMAP Mobile Processors	<a href="http://www.ti.com/omap">www.ti.com/omap</a>
Wireless Connectivity	<a href="http://www.ti.com/wirelessconnectivity">www.ti.com/wirelessconnectivity</a>

### Applications

Communications and Telecom	<a href="http://www.ti.com/communications">www.ti.com/communications</a>
Computers and Peripherals	<a href="http://www.ti.com/computers">www.ti.com/computers</a>
Consumer Electronics	<a href="http://www.ti.com/consumer-apps">www.ti.com/consumer-apps</a>
Energy and Lighting	<a href="http://www.ti.com/energy">www.ti.com/energy</a>
Industrial	<a href="http://www.ti.com/industrial">www.ti.com/industrial</a>
Medical	<a href="http://www.ti.com/medical">www.ti.com/medical</a>
Security	<a href="http://www.ti.com/security">www.ti.com/security</a>
Space, Avionics and Defense	<a href="http://www.ti.com/space-avionics-defense">www.ti.com/space-avionics-defense</a>
Transportation and Automotive	<a href="http://www.ti.com/automotive">www.ti.com/automotive</a>
Video and Imaging	<a href="http://www.ti.com/video">www.ti.com/video</a>

TI E2E Community Home Page

[e2e.ti.com](http://e2e.ti.com)

Mailing Address: Texas Instruments, Post Office Box 655303, Dallas, Texas 75265  
Copyright © 2011, Texas Instruments Incorporated