



Multiformat HDTV Encoder with three 11-Bit DACs

Preliminary Technical Data

ADV7197

INPUT FORMATS

YCrCb in 2x10-Bit (4:2:2) or 3x10-Bit (4:4:4) format compliant to SMPTE-274M (1080i), SMPTE-296M (720p) and any other High Definition standard using Async Timing Mode
RGB in 3x10 Bit 4:4:4 format

OUTPUT FORMATS

YPrPb HDTV (EIA 770.3)
RGB levels compliant to RS-170 and RS-343A

PROGRAMMABLE FEATURES

Internal Testpattern Generator with Color Control
Y/C delay (+/-)
Individual DAC on/off control
VBI Open Control

GENERAL DESCRIPTION

The ADV7197 is a triple high speed, digital-to-analog encoder on a single monolithic chip. It consists of three high speed video D/A converters with TCC compatible inputs.

The ADV7197 has three separate 10-Bit wide input ports which accept data in 4:4:4 10-Bit YCrCb or RGB or 4:2:2 10-Bit YCrCb. This data is accepted in HDTV format at 74.25MHz or 74.1758MHz. For any other High Definition standard but SMPTE274M or SMPTE296M the Async Timing Mode can be used to input data to the ADV7197. For all standards, external horizontal, vertical and blanking signals or EAV/SAV codes control the insertion of appropriate synchronisation signals into the digital data stream and therefore the output signals.

2 Wire Serial MPU Interface

Single Supply +5V/+3.3 V Operation
52-PQFP package

APPLICATIONS

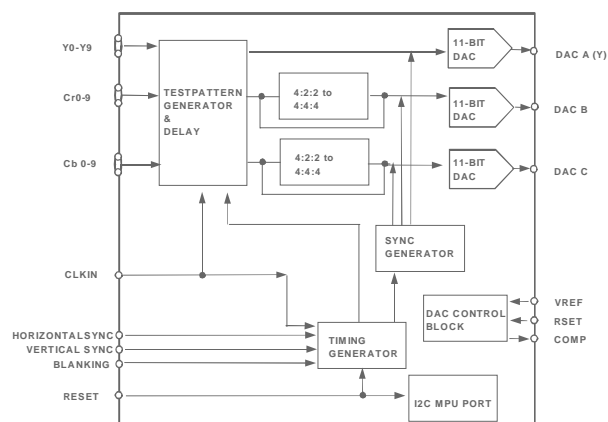
HDTV Display Devices
HDTV Projection Systems
Digital Video Systems
High Resolution Color Graphics
Image Processing/ Instrumentation
Digital Radio Modulation/ Video Signal Reconstruction

The ADV7197 outputs analog YPrPb HDTV complying to EIA 770.3 or RGB complying to RS-170/RS-343A.

The ADV7197 requires a single +5V/3.3V power supply, an optional external 1.235 V reference and a 74.25MHz (or 74.1758MHz) clock.

The ADV7197 is packaged in a 52-Pin PQFP package.

FUNCTIONAL BLOCK DIAGRAM



Prelim REV D 2510 -

Information furnished by Analog Devices is believed to be accurate and reliable. However, no responsibility is assumed by Analog Devices for its use, nor for any infringements of patents or other rights of third parties which may result from its use. No license is granted by implication or otherwise under any patent or patent rights of Analog Devices.

* ADV is a Registered Trademark of Analog Devices, Inc.

One Technology Way, P.O. Box 9106, Norwood, MA 02062-9106, U.S.A.

Tel: 617/329-4700

World Wide Web Site: <http://www.analog.com>

Fax: 617/326-8703

© Analog Devices, Inc., 2000

($V_{AA} = +5V \pm 5\%$, $V_{REF} = 1.235V$, $R_{SET} = 2470\ \Omega$, $R_{LOAD} = 300\ \Omega$.)

All specifications T_{MIN} to T_{MAX} (0°C to 70°C) unless otherwise noted,
 $T_{jMAX} = 110^\circ\text{C}$.

5V SPECIFICATIONS

Parameter	Min	Typ	Max	Units	Test Conditions ¹
STATIC PERFORMANCE					
Resolution (each DAC)		11		Bits	
Integral Nonlinearity DAC A ³		1.3		LSB	
Differential Nonlinearity DAC A ³		0.9		LSB	Guaranteed Monotonic
Integral Nonlinearity DAC B,C ³		1.3		LSB	
Differential Nonlinearity DAC A ³		0.9		LSB	Guaranteed Monotonic
DIGITAL OUTPUTS					
Output High Voltage, V_{OH}	2.4			V	
Output Low Voltage, V_{OL}			0.4	V	
Three State Leakage Current			0.05	μA	$V_{in} = 0.4V$
Three State Output Capacitance		TBA		pF	
DIGITAL AND CONTROL INPUTS					
Input High Voltage, V_{IH}	2			V	
Input Low Voltage, V_{IL}			0.8	V	
Input Current, I_{IN}		TBA		μA	
Input Leakage Current			0.1	μA	$V_{in} = 0.4V$ or $2.4V$
Input Capacitance, C_{IN}		TBA		pF	
ANALOG OUTPUTS					
Output Current (DAC B, C)		2.66		mA	
Output Current (DAC A)		2.33		mA	
DAC to DAC Matching		1.5		%	DAC A,B,C
Output Compliance Range, V_{OC}		TBA		V	
Output Impedance, R_{OUT}		TBA		$k\Omega$	
Output Capacitance, C_{OUT}		TBA		pF	$I_{OUT} = 0\ \text{mA}$
VOLTAGE REFERENCE(Ext. and Int.)					
Reference Range, V_{REF}		1.235		V	
POWER REQUIREMENTS⁴					
I_{dd}^1		66		mA	
I_{aa}^2		11.25		mA	
Power Supply Rejection Ratio		0.02		% / %	

Notes

- 1 I_{dd} or the circuit current, is the continuous current required to drive the digital core
- 2 I_{aa} is the total current required to supply all DACs including the V_{ref} circuitry
- 3 Guaranteed by characterisation
- 4 All DACs on

Specifications subject to change without notice

3.3V SPECIFICATIONS¹

($V_{AA} = +3.3V \pm 5\%$, $V_{REF} = 1.235V$, $R_{SET} = 2470\ \Omega$, $R_{LOAD} = 300\ \Omega$.
 All specifications T_{MIN} to T_{MAX} (0 °C to 70 °C) unless otherwise noted,
 $T_{JMAX} = 110^{\circ}C$.

Parameter	Min	Typ	Max	Units	Test Conditions ¹
STATIC PERFORMANCE					
Resolution (each DAC)		11		Bits	
Integral Nonlinearity DAC A		1.3		LSB	
Differential Nonlinearity DAC A		0.9		LSB	Guaranteed Monotonic
Integral Nonlinearity DAC B,C		1.3		LSB	
Differential Nonlinearity DAC A		0.9		LSB	Guaranteed Monotonic
DIGITAL OUTPUTS					
Output High Voltage, V_{OH}		2.4		V	
Output Low Voltage, V_{OL}		0.4		V	
Three State Leakage Current		0.05		μA	$V_{in} = 0.4V$
Three State Output Capacitance		TBA		pF	
DIGITAL AND CONTROL INPUTS					
Input High Voltage, V_{IH}		2		V	
Input Low Voltage, V_{IL}		0.8		V	
Input Current, I_{IN}		TBA		μA	
Input Leakage Current		0.2		μA	$V_{in} = 0.4V$ or $2.4V$
Input Capacitance, C_{IN}		TBA		pF	
ANALOG OUTPUTS					
Output Current (DAC B, C)		2.66		mA	
Output Current (DAC A)		4.33		mA	
DAC to DAC Matching		1.5		%	DAC A,B,C
Output Compliance Range, V_C		TBA		V	
Output Impedance, R_{OUT}		TBA		K Ω	
Output Capacitance, C_{OUT}		TBA		pF	$I_{OUT} = 0\ mA$
VOLTAGE REFERENCE(Ext. and Int.)					
Reference Range, V_{REF}		1.235		V	
POWER REQUIREMENTS⁴					
I_{dd}^2		30		mA	
I_{aa}^3		10.75		mA	
Power Supply Rejection Ratio		0.02		% / %	

Notes

- ¹ Guaranteed by characterisation
- ² I_{dd} or the circuit current, is the continuous current required to drive the digital core
- ³ I_{aa} is the total current required to supply all DACs including the V_{ref} circuitry
- ⁴ All DACs on

Specifications subject to change without notice

5V DYNAMIC-SPECIFICATIONS

($V_{AA} = +5V \pm 5\%$, $V_{REF} = 1.235V$, $R_{SET} = 2470\ \Omega$, $R_{LOAD} = 300\ \Omega$.
All specifications T_{MIN} to T_{MAX} (0°C to 70°C) unless otherwise noted,
 $T_{JMAX} = 110^\circ\text{C}$.)

Parameter	Min	Typ	Max	Units
Luma Bandwidth		TBA		MHz
Chroma Bandwidth		TBA		MHz
Signal to Noise Ratio		TBA		MHz
Chroma/Luma Delay Inequality		TBA		ns

3.3V DYNAMIC-SPECIFICATIONS

($V_{AA} = +3.3V \pm 5\%$, $V_{REF} = 1.235V$, $R_{SET} = 2470\ \Omega$, $R_{LOAD} = 300\ \Omega$.
All specifications T_{MIN} to T_{MAX} (0°C to 70°C) unless otherwise noted,
 $T_{JMAX} = 110^\circ\text{C}$.)

Parameter	Min	Typ	Max	Units
Luma Bandwidth		TBA		MHz
Chroma Bandwidth		TBA		MHz
Signal to Noise Ratio		TBA		MHz
Chroma/Luma Delay Inequality		TBA		ns

($V_{AA} = +5V \pm 5\%$, $V_{REF} = 1.235V$, $R_{SET} = 2470\ \Omega$, $R_{LOAD} = 300\ \Omega$.
 All specifications T_{MIN} to T_{MAX} (0°C to 70°C) unless otherwise noted,
 $T_{JMAX} = 110^\circ\text{C}$.)

5V TIMING—SPECIFICATIONS

Parameter	Min	Typ	Max	Units	Condition
MPU PORT ¹					
SCLOCK Frequency	10		400	kHz	
SCLOCK High Pulse Width, t_1	0.6			μs	
SCLOCK Low Pulse Width, t_2	1.3			μs	
Hold Time (Start Condition), t_3	0.6			μs	After this period the 1st clock is generated
Setup Time (Start Condition), t_4	0.6			μs	Relevant for repeated Start Condition
Data Setup Time, t_5	100			ns	
SDATA, SCLOCK Rise Time, t_6			300	ns	
SDATA, SCLOCK Fall Time, t_7			300	ns	
Setup Time (Stop Condition), t_8	0.6			μs	
ANALOG OUTPUTS ¹					
Analog Output Delay ²			8	μs	
Analog Output Rise/Fall Time		TBA		ns	Analog
Output Transition Time		TBA		ns	Analog
Output Skew		0.5		ns	
CLOCK CONTROL AND PIXEL PORT					
f_{Clk}		74.25		MHz	
Clock High Time t_9		1.6		ns	
Clock Low Time t_{10}		1.6		ns	
Data Setup Time t_{11}		6		ns	
Data Hold Time t_{12}		2.5		ns	
Control Setup Time t_{11}		2.5		ns	
Control Hold Time t_{12}		2.5		ns	
Digital Output Access Time t_{13}		2.3		ns	
Digital Output Hold Time t_{14}		2		ns	
RESET Low Time ¹		1.6		ns	
Pipeline Delay		16		Clock cycles	4:4:4 pixel input

Notes

1 Guaranteed by characterisation

2 Output delay measured from the 50% point of the rising edge of CLOCK to the 50% point of DAC output full-scale transition

Specifications subject to change without notice.

($V_{AA} = +3.3V \pm 5\%$, $V_{REF} = 1.235V$, $R_{SET} = 2470\ \Omega$, $R_{LOAD} = 300\ \Omega$.)

All specifications T_{MIN} to T_{MAX} (0°C to 70°C) unless otherwise noted,
 $T_{JMAX} = 110^\circ\text{C}$.

3.3V TIMING—SPECIFICATIONS¹

Parameter	Min	Typ	Max	Units	Condition
MPU PORT					
SCLOCK Frequency	10		400	kHz	
SCLOCK High Pulse Width, t_1	0.6			μs	
SCLOCK Low Pulse Width, t_2	1.3			μs	
Hold Time (Start Condition), t_3	0.6			μs	After this period the 1st clock is generated
Setup Time (Start Condition), t_4	0.6			μs	Relevant for repeated Start Condition
Data Setup Time, t_5	100			ns	
SDATA, SCLOCK Rise Time, t_6			300	ns	
SDATA, SCLOCK Fall Time, t_7			300	ns	
Setup Time (Stop Condition), t_8	0.6			μs	
ANALOG OUTPUTS					
Analog Output Delay ²		8		ns	
Analog Output Rise/Fall Time		TBA		ns	Analog
Output Transition Time		TBA		ns	Analog
Output Skew		0.25		ns	
CLOCK CONTROL AND PIXEL PORT					
f_{CLK}		74.25		MHz	
Clock High Time t_9		1.5		ns	
Clock Low Time t_{10}		2.0		ns	
Data Setup Time t_{11}		0		ns	
Data Hold Time t_{12}		2.0		ns	
Control Setup Time t_{11}		3.5		ns	
Control Hold Time t_{12}		2.0		ns	
Digital Output Access Time t_{13}		15		ns	
Digital Output Hold Time t_{14}		4		ns	
RESET Low Time ¹		2.0		ns	
Pipeline Delay		16		Clock cycles	4:4:4 pixel input

Notes

¹ Guaranteed by characterisation

² Output delay measured from the 50% point of the rising edge of CLOCK to the 50% point of DAC output full-scale transition

Specifications subject to change without notice.

ORDERING INFORMATION¹

Model	Package Description	Package Option
ADV7197KS	Plastic Quad Flatpack	S-52

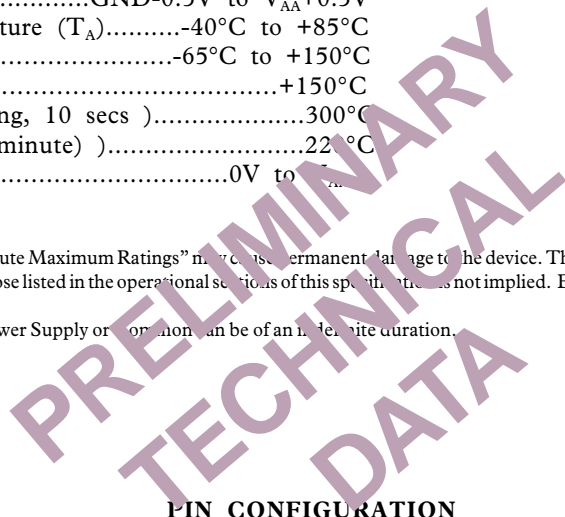
ABSOLUTE MAXIMUM RATINGS*

- V_{AA} to GND.....+7V
- Voltage on any Digital Pin.....GND-0.5V to V_{AA}+0.5V
- Ambient Operating Temperature (T_A).....-40°C to +85°C
- Storage Temperature (T_S).....-65°C to +150°C
- Junction Temperature (T_J).....+150°C
- Lead Temperature (Soldering, 10 secs).....300°C
- Vapor Phase Soldering (1 minute).....220°C
- I_{OUT} to GND¹.....0V to V_{AA}

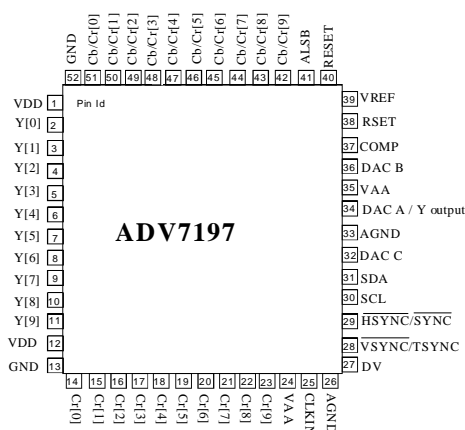
NOTES

*Stresses above those listed under “Absolute Maximum Ratings” may cause permanent damage to the device. This is a stress rating only and functional operation of the device at these or any other conditions above those listed in the operational sections of this specification is not implied. Exposure to absolute maximum rating conditions for extended periods may affect device reliability.

¹Analog Output Short Circuit to any Power Supply or to ground can be of an indefinite duration.



PIN CONFIGURATION



CAUTION

ESD (electrostatic discharge) sensitive device. Electrostatic charges as high as 4000 V readily accumulate on the human body and test equipment and can discharge without detection. Although the ADV7127 features proprietary ESD protection circuitry, permanent damage may occur on devices subjected to high energy electrostatic discharges. Therefore, proper ESD precautions are recommended to avoid performance degradation or loss of functionality.

PIN FUNCTION DESCRIPTIONS

Pin Mnemonic	Input/Output	Function
AGND	G	Analog Ground
GND	G	Digital Ground
ALS _B	I	TTL Address Input. This signal sets up the LSB of the MPU address.
DV	I	Video Blanking Control Signal Input.
CLKIN	I	Pixel Clock Input. Requires a 74.25MHz (74.1758MHz) reference clock.
COMP	O	Compensation Pin for DACs. Connect 0.1μF Capacitor from COMP pin to V _{AA} .
DAC A	O	Y analog output.
DAC B	O	Color component analog output of input data on Cr 9-0 input pins.
DAC C	O	Color component analog output of input data on Cb/Cr 9-0 input pins.
$\overline{\text{HSYNC}}$ / SYNC	I	$\overline{\text{HSYNC}}$, horizontal sync control signal input or SYNC input control signal in Async Timing Mode.
Cr 9-0	I	10-Bit HDTV input port for color data in 4:4:4 input mode. In 4:2:2 mode this input port is not used. Input port for R data when RGB data is input.
Cb/Cr 9-0	I	10-Bit HDTV input port for color data. In 4:2:2 mode the multiplexed CrCb data must be input on these pins. Input port for B data when RGB data is input.
$\overline{\text{RESET}}$	I	This input resets the on-chip timing generator and sets the ADV7197 to Default Register setting. Reset is an active low signal.
R _{SET}	I	A 2470 Ohm resistor (for input ranges 64-940 and 64-960, (output standards EIA770.3) must be connected from this pin to AGND and is used to control the amplitudes of the DAC outputs. For input ranges 0 -1023 (output standards RS-170, RS-343A) the R _{SET} value must be 2820 Ohms.
SCL	I	MPU Port Serial Interface Clock Input
SDA	I/O	MPU Port Serial Data Input/Output
$\overline{\text{VSYNC}}$ / TSYNC	I	$\overline{\text{VSYNC}}$, vertical sync control signal input or TSYNC input control signal in Async Timing Mode.
V _{DD}	P	Digital power supply
V _{AA}	P	Analog power supply
V _{REF}	I/O	Optional External Voltage Reference Input for DACs or Voltage Reference Output (1.235V).
Y9 -Y0	I	10-Bit HDTV input port for Y data. Input port for G data when RGB data is input.

FUNCTIONAL DESCRIPTION**Digital Inputs**

The digital inputs of the ADV7197 are TTL compatible. 30-Bit YCrCb or RGB pixel data in 4:4:4 format or 20-Bit YCrCb pixel data in 4:2:2 format is latched into the device on the rising edge of each clock cycle at 74.25MHz or 74.1785 in HDTV mode.

Control Signals

The ADV7197 accepts sync control signals accompanied by valid 4:2:2 or 4:4:4 data. These external horizontal, vertical and blanking pulses (or EAV/SAV codes) control the insertion of appropriate sync information into the output signals.

Analog Outputs

The analog Y signal is output on DACs A, the color component analog signals on DAC B and DAC C conforming to EIA-770.3 standards. Rset has a value of 2470 Ohms (EIA-770.3), Rload has a value of 300Ohms. For the outputs to conform to RS-170/RS343A standards Rset must have a value of 2820Ohms.

Internal Test Pattern Generator

The ADV7197 can generate a Cross Hatch pattern (white lines against a black background). Additionally the ADV7197 can output a uniform color pattern. The color of the lines or uniform field/frame can be programmed by the user.

Y/ CrCb delay

The Y output and the color component outputs can be delayed wrt the falling edge of the horizontal sync signal by up to 4 clock cycles.

MPU PORT DESCRIPTION.

The ADV7197 support a two wire serial (I²C compatible) microprocessor bus driving multiple peripherals. Two inputs Serial Data (SDA) and Serial Clock (SCL) carry information between any device connected to the bus. Each slave device is recognized by a unique address. The ADV7197 has four possible slave addresses for both read and write operations. These are unique addresses for each device and are illustrated in Figure xx. The LSB sets either a read or write operation. Logic level "1" corresponds to a read operation while logic level "0" corresponds to a write operation. A1 is set by setting the ALSB pin of the ADV7197 to logic level "0" or logic level "1". When ALSB is set to "0", there is greater input bandwidth on the I2C lines, which allows high speed data transfers on this bus. When ALSB is set to "1", there is reduced input bandwidth on the I2C lines, which means that pulses of less than 50ns will not pass into the I2C internal controller. This mode is recommended for noisy systems.

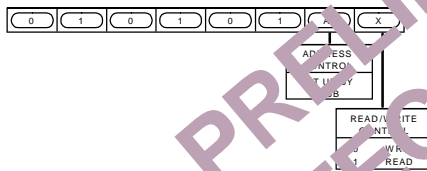


Fig xx. ADV7197 Slave Address

To control the various devices on the bus the following protocol must be followed. First the master initiates a data transfer by establishing a Start condition, defined by a high to low transition on SDA whilst SCL remains high. This indicates that an address/data stream will follow. All peripherals respond to the Start condition and shift the next eight bits (7-Bit address + R/W bit). The bits are transferred from MSB down to LSB. The peripheral that recognizes the transmitted address responds by pulling the data line low during the ninth clock pulse. This is known as an acknowledge bit. All other devices withdraw from the bus at this point and maintain an idle condition. The idle condition is where the device monitors the SDA and SCL lines waiting for the Start condition and the correct transmitted address. The R/W bit determines the direction of the data.

A logic "0" on the LSB of the first byte means that the master will write information to the peripheral. A logic "1" on the LSB of the first byte means that the master will read information from the peripheral.

The ADV7197 acts as a standard slave device on the bus. The data on the SDA pin is 8 bits long supporting the 7-Bit addresses plus the R/W bit. It interprets the first byte as the device address and the second byte as the starting subaddress. The subaddresses auto-increment allowing data to be written to or read from from the starting subaddress. A data transfer is always terminated by a Stop condition. The user can also access any unique subaddress register on a one by one basis without having to update all the registers.

Stop and Start conditions can be detected at any stage during the data transfer. If these conditions are asserted out of sequence with normal read and write operations, then these cause an immediate jump to the idle condition. During a given SCL high period the user should only issue one Start condition, one Stop condition or a single Stop condition followed by a single Start condition. If an invalid subaddress is issued by the user, the ADV7197 will not issue an acknowledge and will return to the idle condition. If in auto-increment mode, the user exceeds the highest subaddress then the following action will be taken:

1. In Read Mode, the highest subaddress register contents will continue to be output until the master device issues a no-acknowledge. This indicates the end of a read. A no-acknowledge condition is where the SDA line is not pulled low on the ninth pulse.
2. In Write Mode, the data for the invalid byte will be not be loaded into any subaddress register, a no-acknowledge will be issued by the ADV7197 and the part will return to the idle condition.

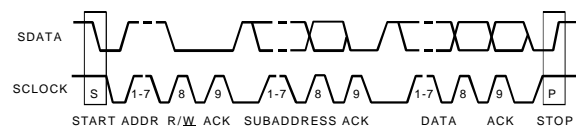


Figure xx. Bus Data Transfer

Figure 50 illustrates an example of data transfer for a read sequence and the Start and Stop conditions.

Figure 51 shows bus write and read sequences.

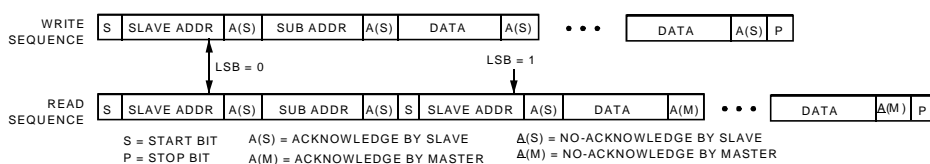


Figure xx. Write and Read Sequence

REGISTER ACCESSES

The MPU can write to or read from all of the registers of the ADV7197 except the Subaddress Registers which are write only registers. The Subaddress Register determines which register the next read or write operation accesses. All communications with the part through the bus start with an access to the Subaddress Register. Then a read/write operation is performed from/to the target address which then increments to the next address until a Stop command on the bus is performed.

REGISTER PROGRAMMING

The following section describes the functionality of each register. All registers can be read from as well as written to unless otherwise stated.

Subaddress Register (SR7-SR0)

The Communications Register is an eight bit write-only register. After the part has been accessed over the bus and a read/write operation is selected, the subaddress is set up. The Subaddress Register determines to/from which register the operation takes place.

Figure xx shows the various operations under the control of the Subaddress Register. "0" should always be written to SR7.

Register Select (SR6-SR0):

These bits are set up to point to the required start address.

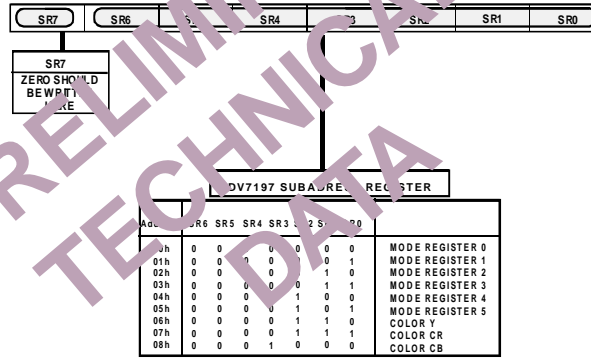


Fig xx. ADV7197 Subaddress Registers

MODE REGISTER 0

MR0 (MR07-MR00)

(Address (SR4-SR0) = 00H)

Figure xx shows the various operations under the control of Mode Register 0.

MR0 BIT DESCRIPTION

Output Standard Selection (MR00-MR01):

These bits are used to select the output levels from the ADV7197.

If EIA 770.3 (MR01-00='00') is selected, the output levels will be: 0mV for blanking level, 700mV for peak white (Y channel), +/- 350mV for Pr,Pb outputs and -300 mV for tri-level sync.

If Full Input Range (MR01-00='10') is selected, the output levels will be 700mV for peak white for the Y channel, +/- 350 mV for Pr, Pb outputs and -300mV for Sync. This mode is used for RS-170, RS343A standard output compatibility.

Sync insertion on the Pr, Pb channels is optional. For output levels refer to the Appendix.

Input Control Signals (MR02-MR03):

These control bits are used to select whether data is input with external horizontal, vertical and blanking sync signals

or if the data is input with embedded EAV/SAV codes. An Asynchronous timing mode is also available using TSYNC, SYNC and DV as input control signals.

These timing control signals have to be programmed by the user and are used for any other high definition standard input but SMPTE274M and SMPTE296M.

The figure below shows an example of how to program the ADV7197 to accept a different high definition standard but SMPTE274M or SMPTE296M.

Reserved (MR04):

A '0' must be written to this bit.

Input Standard (MR05):

Select between 1080i or 720p input.

DV polarity (MR06):

This control bit allows to select the polarity of the DV input control signal to be either active high or active low. This is in order to facilitate interfacing from input devices which use an active high blanking signal output.

Reserved (MR07):

A '0' must be written to this bit.

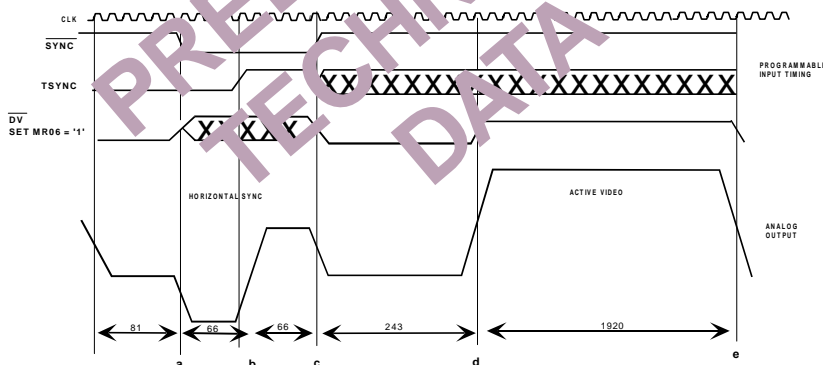


Figure xx: Async Timing Mode - Programming Input Control signals for SMPTE295M compatibility

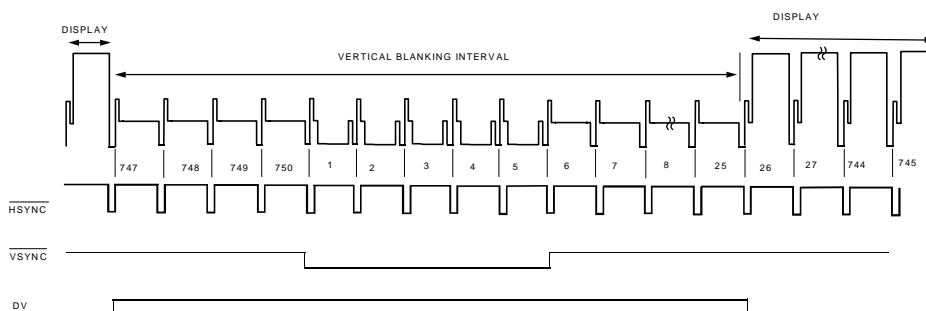


Figure xx: DV input control signal in relation to video output signal for SMPTE296M(720p)

The truth table below must be followed when programming the control signals in Async Timing Mode.

$\overline{\text{SYNC}}$	TSYNC	DV	
1 -> 0	0	0 or 1	50% point of falling edge of tri-level horizontal sync signal, a
0	0 -> 1	0 or 1	25% point of rising edge of tri-level horizontal sync signal, b
0 -> 1	0 or 1	0	50% point of falling edge of tri-level horizontal sync signal, c
1	0 or 1	0 -> 1	50% start of active video, d
1	0 or 1	1 -> 0	50% end of active video, e

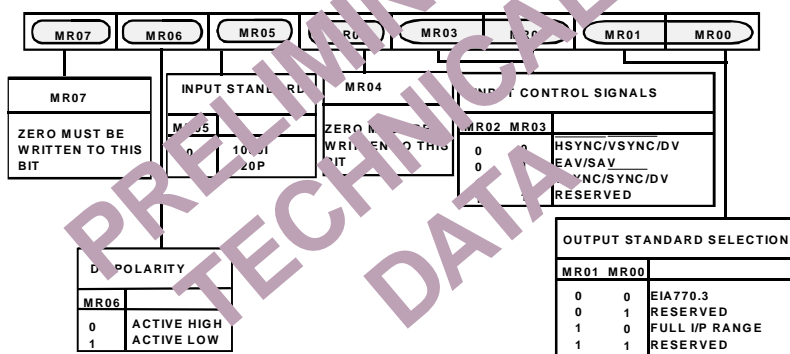


Figure xx: Mode Register 0

MODE REGISTER 1

MR1 (MR17-MR10)

(Address (SR4-SR0) = 01H)

Figure xx shows the various operations under the control of Mode Register 1.

MR1 BIT DESCRIPTION

Pixel Data Enable (MR10):

When this bit is set to "0", the pixel data input to the ADV7197 is blanked such that a black screen is output from the DACs. When this bit is set to "1", pixel data is accepted at the input pins and the ADV7197 outputs to the standard set in 'Output Standard Selection' (MR01-00).

Input Format (MR11):

It is possible to input data in 4:2:2 format or in 4:4:4 format.

Testpattern Enable (MR12):

Enables or disables the internal test pattern generator.

Testpattern Hatch/Frame (MR13):

If this bit is set to '0', a cross hatch test pattern is output from the ADV7197. The cross hatch test pattern can be used to test monitor convergence.

If this bit is set to '1', a uniform colored frame/field test pattern is output from the ADV7197.

The color of the lines or the frame/field is by default white but can be programmed to be any color using the Color Y, Color Cr, Color Cb registers.

VBI open (MR14):

This bit enables or disables the facility of VBI data insertion during the Vertical Blanking Interval.

For this purpose lines 7-20 in 1080i and lines 6-25 in 720p can be used for VBI data insertion.

Reserved (MR15 -MR17):

A '0' must be written to these bits.

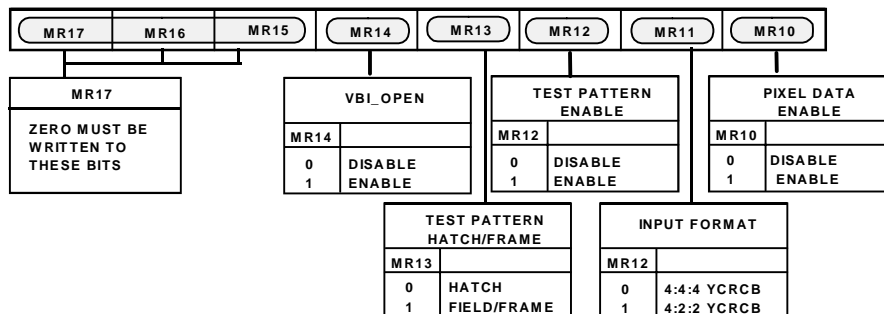
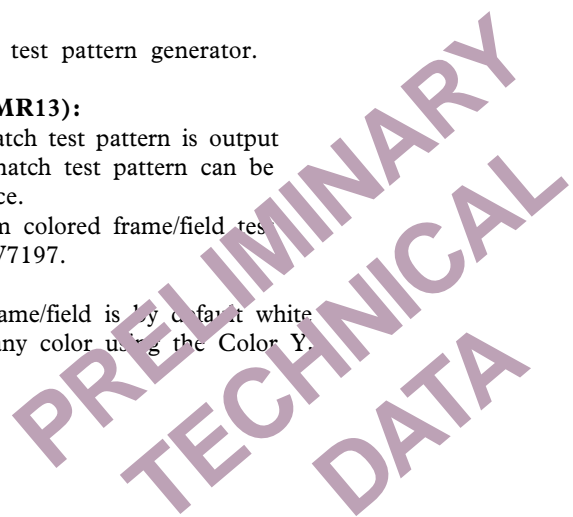


Figure xx: Mode Register 1

MODE REGISTER 2

MR1 (MR27-MR20)
(Address (SR4-SR0) = 02H)

Figure xx shows the various operations under the control of Mode Register 2.

Reserved (MR26-27):

A '0' must be written to these bits.

MR2 BIT DESCRIPTION

Y Delay (MR20-22):

With these bits it is possible to delay the Y signal with respect to the falling edge of the horizontal sync signal by up to 4 pixel clock cycles. Figure xx demonstrates this facility.

Color Delay (MR23-25):

With these bits it is possible to delay the color signals with respect to the falling edge of the horizontal sync signal by up to 4 pixel clock cycles. Figure xx demonstrates this facility.

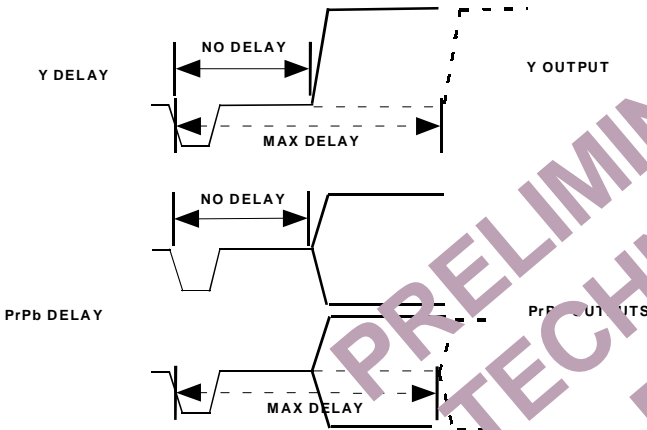


Figure xx: Y and Color Delay

MR27	MR26	MR25	MR24	MR23	MR22	MR21	MR20		
MR26-27		COLOR DELAY			Y DELAY				
A ZERO MUST BE WRITTEN TO THESE BITS		MR25	MR24	MR23	MR22	MR21	MR20		
		0	0	0	0	0	0	0 PCLK	
		0	0	1	1	0	1	0	1 PCLK
		0	1	0	0	1	0	0	2 PCLK
		0	1	1	1	0	1	1	3 PCLK
		1	0	0	0	1	0	0	4 PCLK

Figure xx: Mode Register 2

MODE REGISTER 3

MR3 (MR37-MR30)

(Address (SR4-SR0) = 03H)

Figure xx shows the various operations under the control of Mode Register 3.

MR3 BIT DESCRIPTION

Reserved(MR31-32):

A "0" must be written to these bits.

DAC A Control (MR33):

Setting this bit to "1" enables DAC A , otherwise this DAC is powered down.

DAC B Control (MR34):

Setting this bit to "1" enables DAC B , otherwise this DAC is powered down.

DAC C Control (MR35):

Setting this bit to "1" enables DAC C , otherwise this DAC is powered down.

Reserved (MR36-37):

A '0' must be written to these bits.

PRELIMINARY
TECHNICAL
DATA

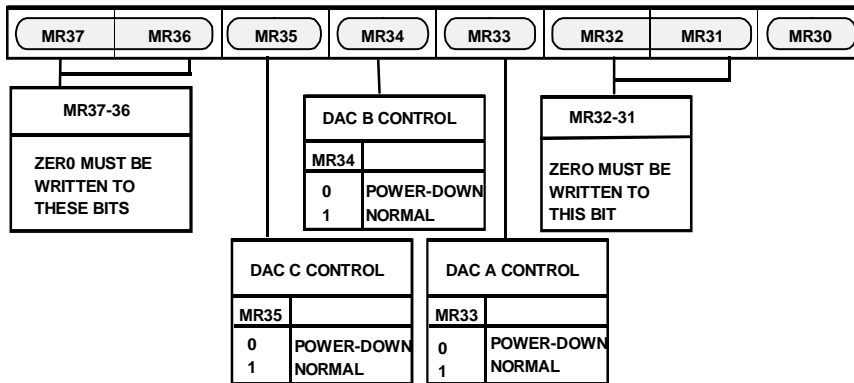


Figure xx: Mode Register 3

MODE REGISTER 4

MR4 (MR47-MR40)

(Address (SR4-SR0) = 04H)

Figure xx shows the various operations under the control of Mode Register 4.

MR4 BIT DESCRIPTION

Timing Reset (MR40):

Toggling MR40 from low to high and low again resets the internal horizontal and vertical timing counters.

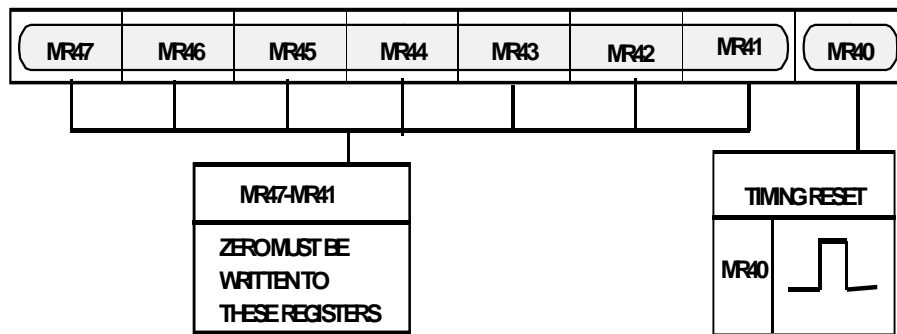


Figure xx: Mode Register 4

PRELIMINARY
TECHNICAL
DATA

MODE REGISTER 5

MR5 (MR57-MR50)

(Address (SR4-SR0) = 05H)

Figure xx shows the various operations under the control of Mode Register 5.

MR5 BIT DESCRIPTION

Reserved (MR50):

This bit is reserved for the revision code.

RGB Mode (MR51):

When RGB mode is enabled (MR51="1") the ADV7197 accepts unsigned binary RGB data at its input port. This control is also available in Async Timing Mode.

Sync on PrPb (MR52):

By default the color component output signals Pr, Pb do not contain any horizontal sync pulses. They can be inserted when MR52="1".

This control is not available in RGB mode.

Color Output Swap (MR53):

By default DAC B is configured as the Pr output and DAC C as the Pb output. In setting this bit to "1" the DAC outputs can be swapped around so that DAC B outputs Pb and DAC C outputs Pr. The table below demonstrates this in more detail. This control is also available in RGB mode.

In 4:4:4 input mode		
Color data input on pins:	MR53	Analog Output signal:
Cr 9-0	0	Dac B
Cb/Cr 9-0	0	Dac C
Cr 9-0	1	Dac C
Cb/Cr 9-0	1	Dac B
In 4:2:2 input mode		
Color data input on pins:	MR53	Analog Output signal:
Cr 9-0	0 or 1	not operational
Cb/Cr 9-0	0	Dac C (Pb)
Cb/Cr 9-0	1	Dac C (Pr)

Table xx Relationship between color input pixel prec, MR52 and DAC B, DAC C outputs

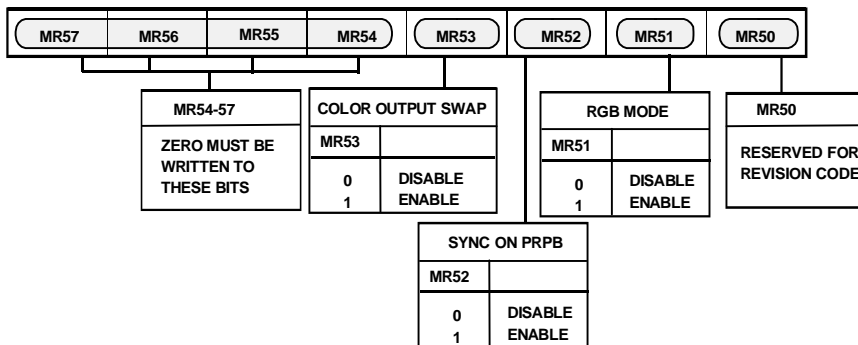


Figure xx: Mode Register 5

COLOR Y

CY (CY7-CY0)

(Address (SR4-SR0) = 06H)

COLOR CR

CCR (CCR7-CCR0)

(Address (SR4-SR0) = 07H)

COLOR CB

CCB (CCB7-CCB0)

(Address (SR4-SR0) = 08H)

These three 8-Bit wide registers are used to program the output color of the internal testpattern generator, be it the lines of the cross hatch pattern or the uniform field testpattern.

The standard used for the values for Y and the color difference signals to obtain white, black and the saturated primary and complementary colors conforms to the ITU-R BT 601-4 standard.

The table below shows sample color values to be programmed into the color registers.

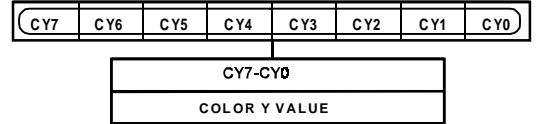


Figure xx. Color Y Register

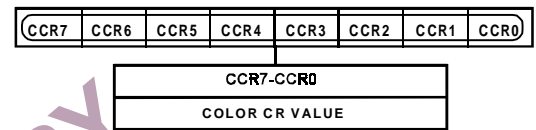


Figure xx. Color Cr Register

SAMPLE COLOR	COLOR Y VALUE	COLOR CR VALUE	COLOR CB VALUE
WHITE	235 (EB)	128 (80)	128 (80)
BLACK	16 (10)	128 (80)	128 (80)
RED	81 (51)	240 (F0)	90 (5A)
GREEN	145 (91)	34 (22)	52 (34)
BLUE	41 (29)	110 (6E)	210 (D2)
YELLOW	210 (D2)	146 (92)	16 (10)
CYAN	170 (AA)	16 (10)	166 (A6)
MAGENTA	106 (6A)	222 (DE)	202 (CA)

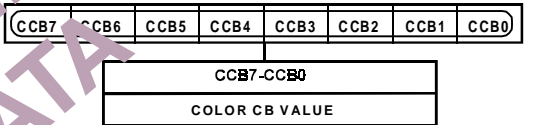


Figure xx. Color Cb Register

Figure xx Sample color values

DAC termination and layout considerations**Voltage Reference**

The ADV7197 contains an onboard voltage reference. The Vref pin is normally terminated to VAA through a 0.1µF capacitor when the internal Vref is used. Alternatively, the ADV7197 can be used with an external Vref (AD589).

Resistor Rset is connected between the Rset pin and AGND and is used to control the full scale output current and therefore the DAC voltage output levels. For full scale output Rset must have a value of 2470Ω. Rload has a value of 300Ω. When an input range of 0-1023 is selected the value of Rset must be 2820Ω.

The ADV7197 has three analog outputs, corresponding to Y, Pr, Pb video signals. Each one of the PrPb DACs is capable of an output current of 2.66mA, the Y DAC provides 4.33mA output current. The DACs must be used with external buffer circuits in order to provide sufficient current to drive an output device. Suitable op-amps are the AD8009, AD8002 or the AD8001 current feedback amplifiers.

PC Board Layout Considerations

The ADV7197 is optimally designed for lowest noise performance, both radiated and conducted noise. To complement the excellent noise performance of the ADV7197, it is imperative that great care be given to the PCB board layout.

The layout should be optimized for lowest noise on the ADV7197 power and ground lines. This can be achieved by shielding the digital inputs and providing good decoupling. The lead length between groups of VAA and AGND and VDD and DGND pins should be kept as short as possible to minimize inductive ringing.

It is recommended that a four-layer printed circuit board is used. With power and ground planes separating the layer of the signal carrying traces of the components and solder side layer. Placement of components should consider to separate noisy circuits, such as crystal clocks, high speed logic circuitry and analog circuitry.

There should be a separate analog ground plane (AGND) and a separate digital ground plane (GND).

Power planes should encompass a digital power plane (VDD) and an analog power plane (VAA). The analog power plane should contain the DACs and all associated circuitry, Vref circuitry.

The digital power plane should contain all logic circuitry. The analog and digital power planes should be individually connected to the common power plane at one single point through a suitable filtering device, such as a ferrite bead.

DAC output traces on a PCB should be treated as transmission lines. It is recommended that the DACs be placed as close as possible to the output connector, with

the analog output traces being as short as possible (less than 3 inches). The DAC termination resistors should be placed as close as possible to the DAC outputs and should overlay the PCB's ground plane. As well as minimizing reflections, short analog output traces will reduce noise pickup due to neighbouring digital circuitry.

Supply Decoupling

Noise on the analog power plane can be further reduced by the use of decoupling capacitors. Optimum performance is achieved by the use of 0.1µF ceramic capacitors. Each group of VAA or VDD pins should be individually decoupled to ground. This should be done by placing the capacitors as close as possible to the device with the capacitor leads as short as possible, thus minimizing lead inductance.

Digital Signal Interconnect

The digital signal lines should be isolated as much as possible from the analog outputs and other analog circuitry. Digital signal lines should not overlay the analog power plane. Due to the high clock rates used, long clock lines to the ADV7197 should be avoided to minimize noise pickup. Any drive pull-up termination resistors for the digital inputs should be connected to the digital power plane and not the analog power plane.

Analog Signal Interconnect

The ADV7197 should be located as close as possible to the output connectors thus minimizing noise pickup and reflections due to impedance mismatch. For optimum performance, the analog outputs should each be source and load terminated, as shown in the figure below. The termination resistors should be as close as possible to the ADV7197 to minimize reflections.

Any unused inputs should be tied to ground.

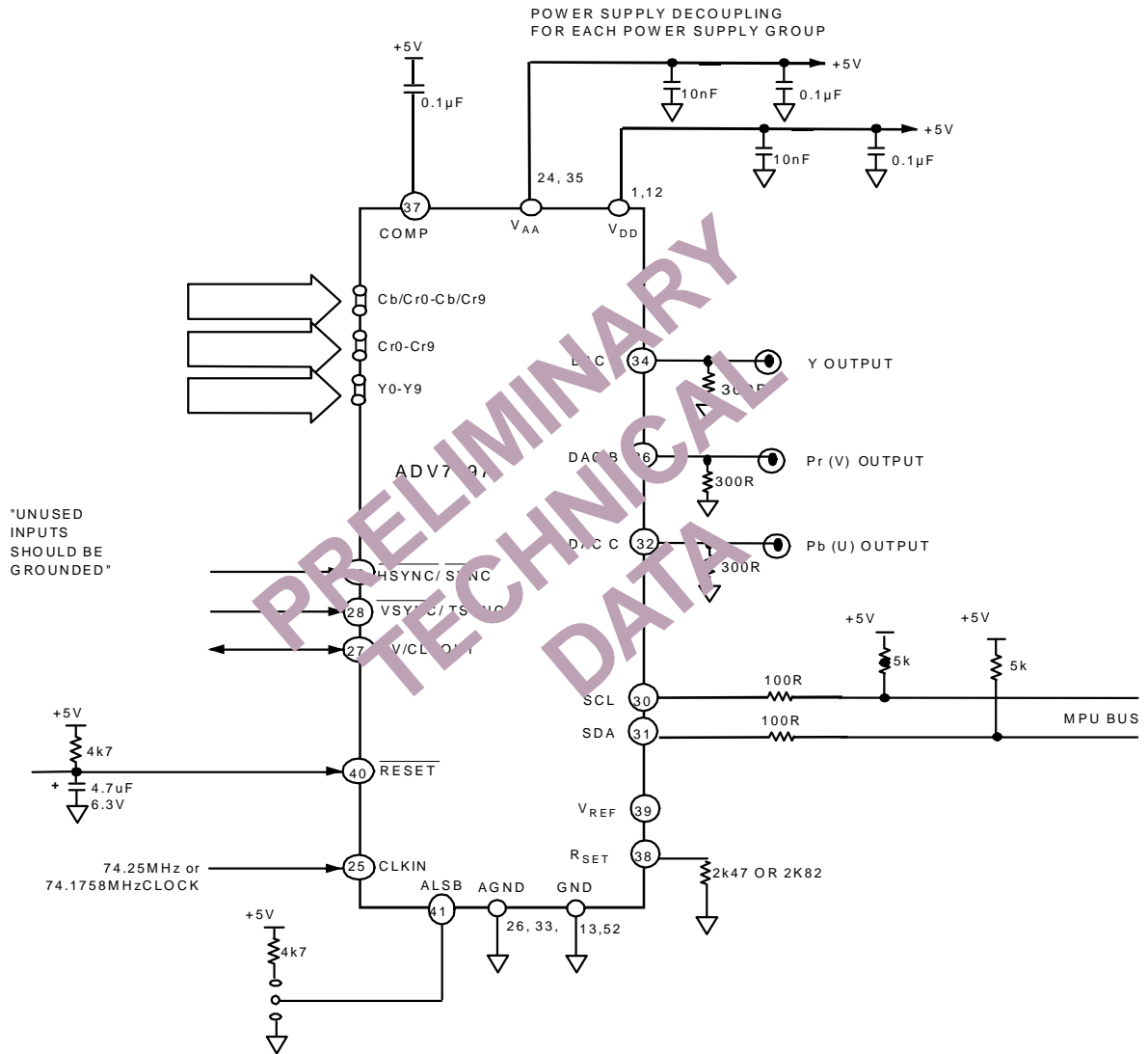


Figure xx: ADV7197 Circuit Layout

Video Output Buffer and optional Output Filter

Output buffering is necessary in order to drive output devices, such as HDTV monitors.

Analog Devices produces a range of suitable op amps for this application. Suitable op amps would be the AD8009, AD8002 or AD8001. More information on line driver buffering circuits is given in the relevant op amp datasheets.

An optional analog reconstruction LPF might be required as an antialias filter if the ADV7197 is connected to a device which requires this filtering.

The Eval ADV7196/7 EB evaluation board uses the ML6426 Microlinear IC, which provides buffering and Low-pass filtering for HDTV applications.

The Eval ADV7196/7EB RevA evaluation board uses the AD8009 as a buffer and a 6th order Chebychev Filter as a LPF.

The Application note, ANxxxx, describes in detail these two designs and should be consulted when designing external filter and buffers for Analog Devices Video Encoders.

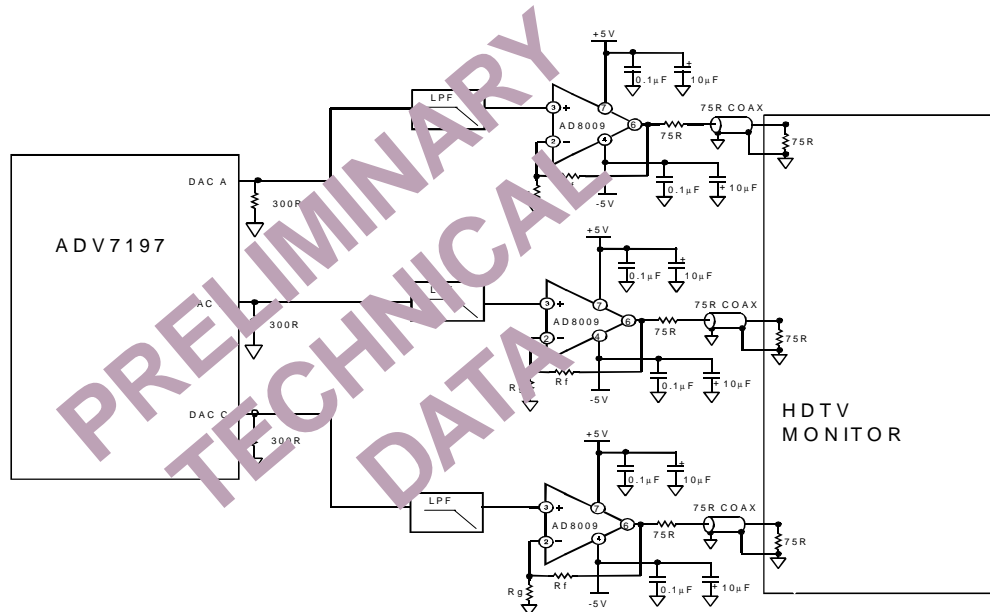


Figure xx Output Buffer and Optional Filter

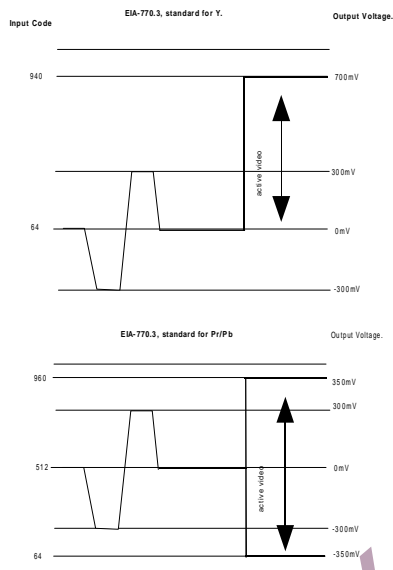


Figure xx EIA 770.3 Standard output signals(1080i, 720p)

PRELIMINARY
TECHNICAL
DATA

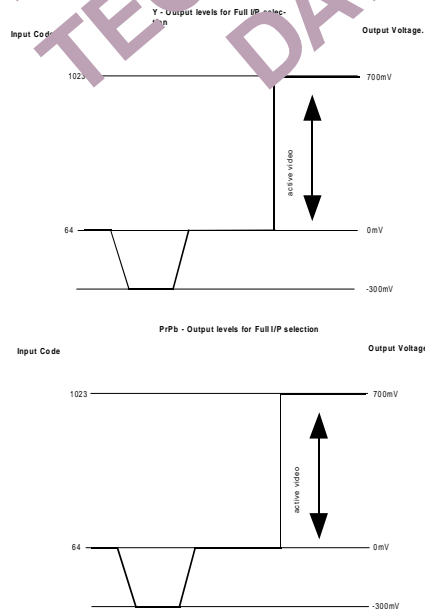


Figure xx Output levels for Full I/P selection

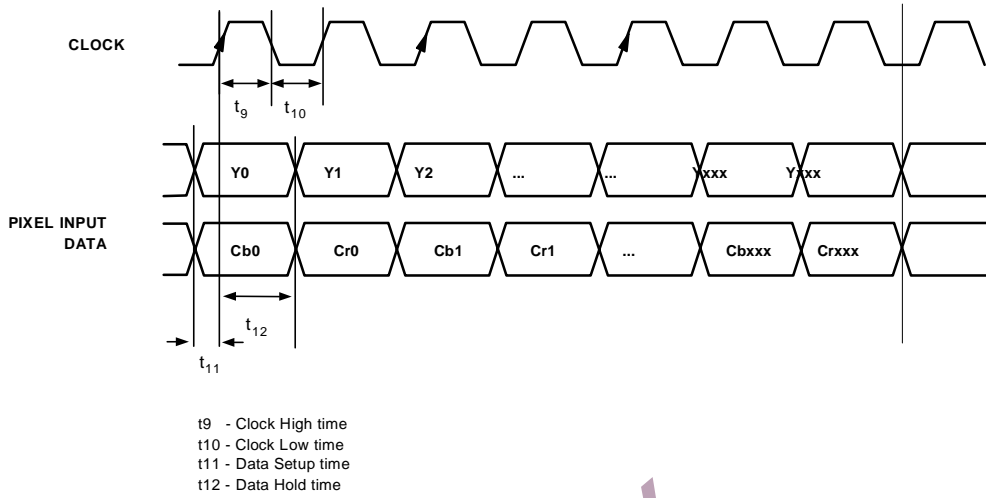


Figure xx 4:2:2 input data format timing diagram

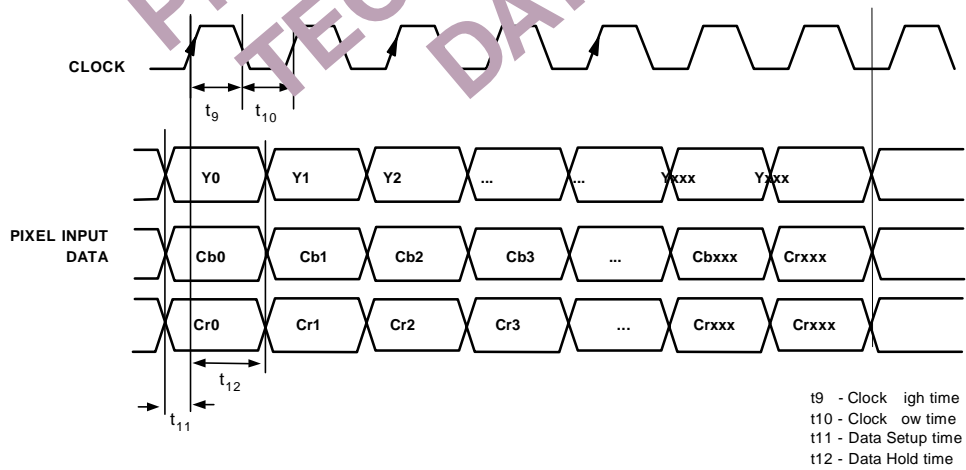


Figure xx 4:4:4 YCrCb input data format timing diagram

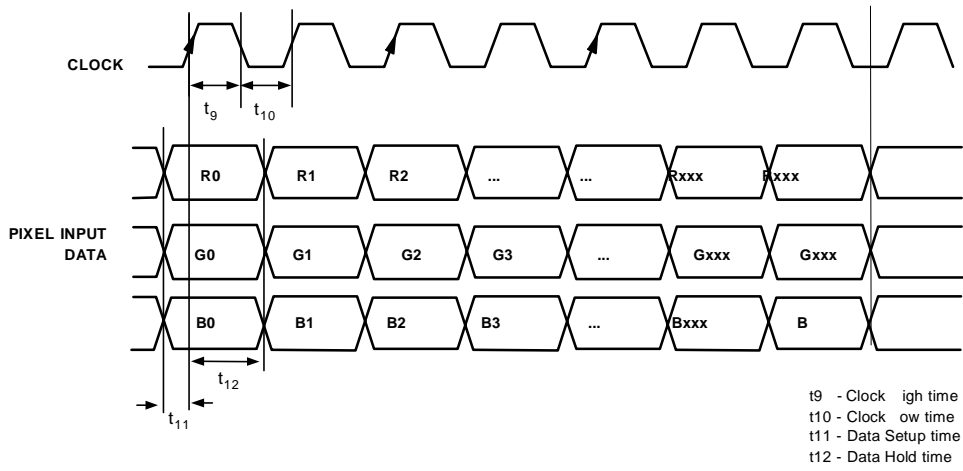


Figure xx 4:4:4 RGB input data format timing diagram

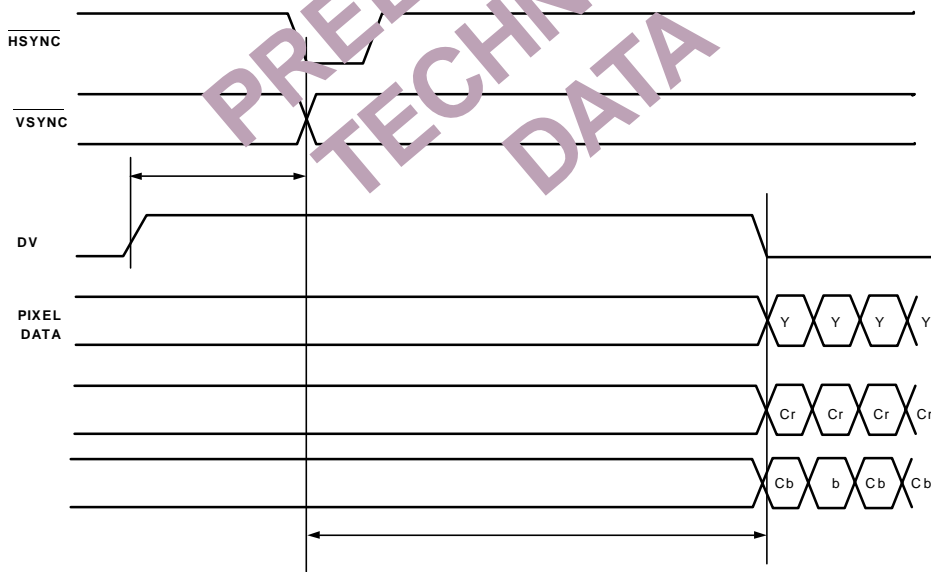


Figure xx Input timing diagram

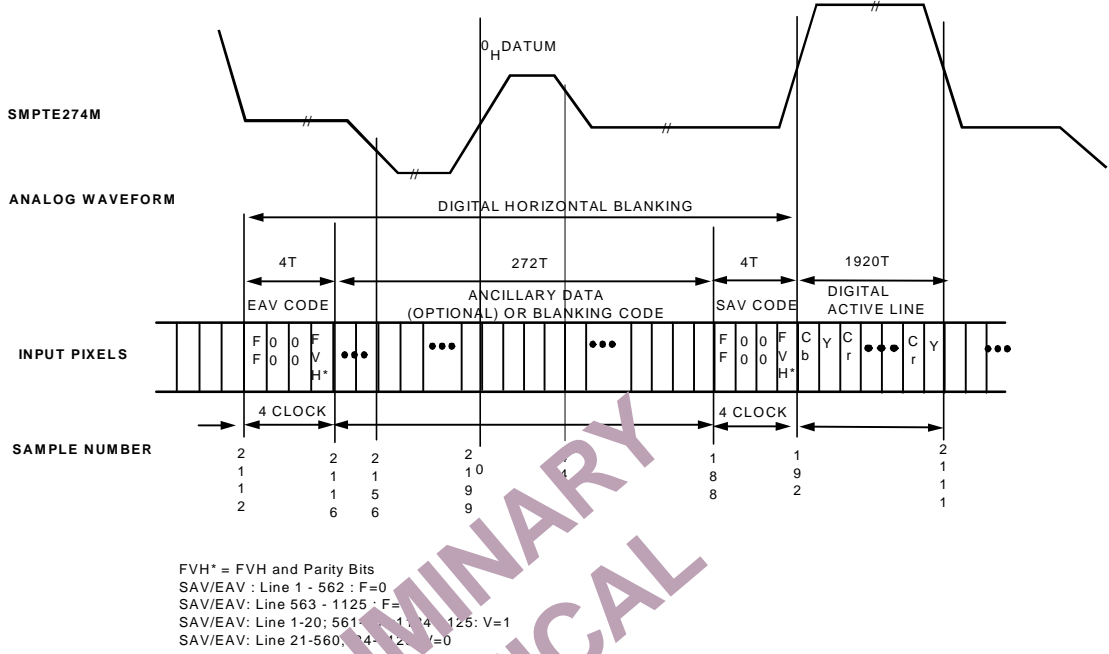


Figure 10. EAV/SAV input data timing diagram - SMPTE 274M (1080i)

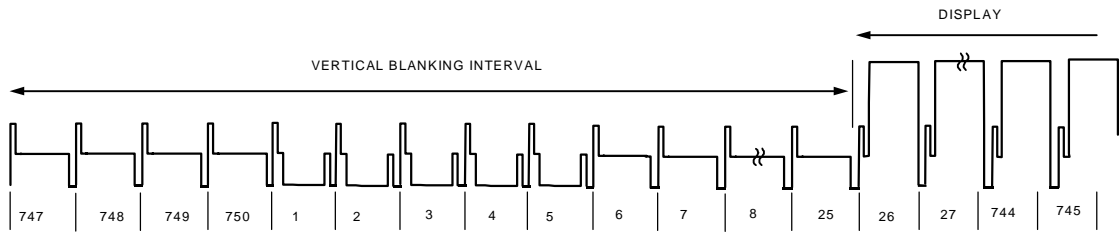


Figure xx SMPTE 296M (720p)

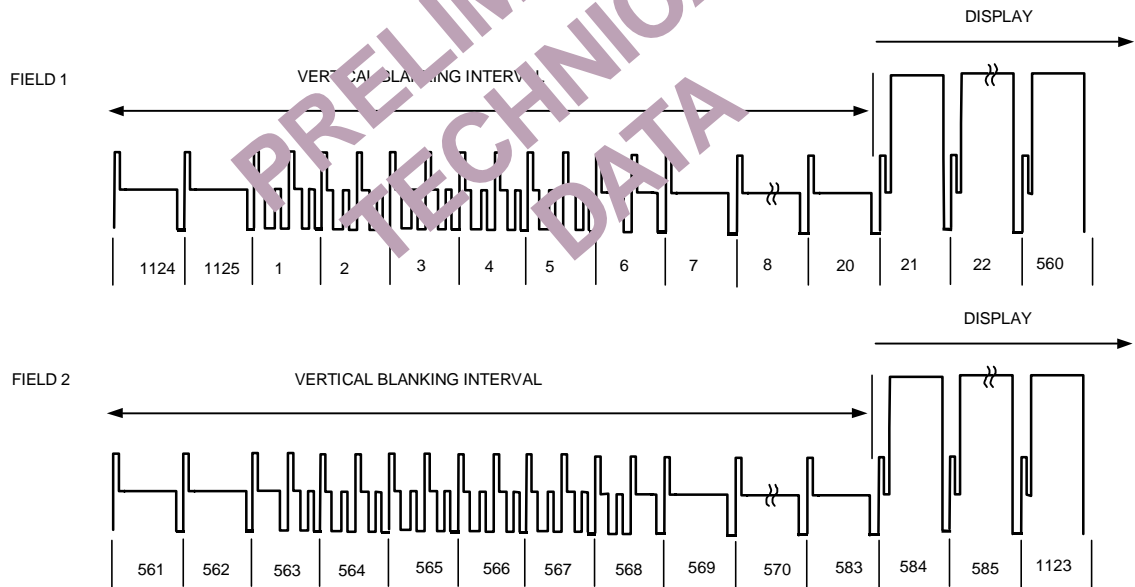


Figure xx SMPTE 274M (1080i)

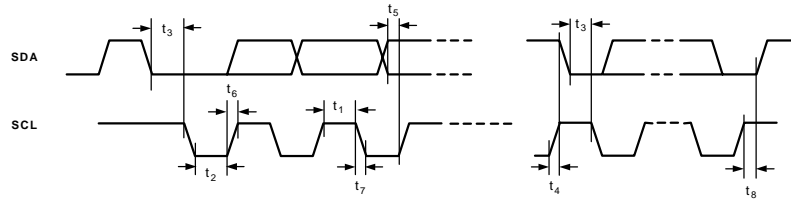


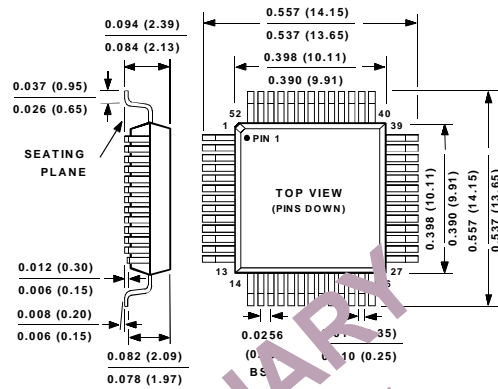
Figure 1. MPU Port Timing Diagram

PRELIMINARY
TECHNICAL
DATA

OUTLINE DIMENSIONS

Dimensions shown in inches and (mm).

52-Lead Plastic Quad Flatpack
(S-52)



PRELIMINARY
TECHNICAL
DATA