

FEATURES

- 6.0 GHz Bandwidth
- 2.7 V to 3.3 V Power Supply
- Separate Charge Pump Supply (V_P) Allows Extended Tuning Voltage in 3 V Systems
- Programmable Dual-Modulus Prescaler
8/9, 16/17, 32/33, 64/65
- Programmable Charge Pump Currents
- Programmable Antibacklash Pulsewidth
- 3-Wire Serial Interface
- Analog and Digital Lock Detect
- Hardware and Software Power-Down Modes

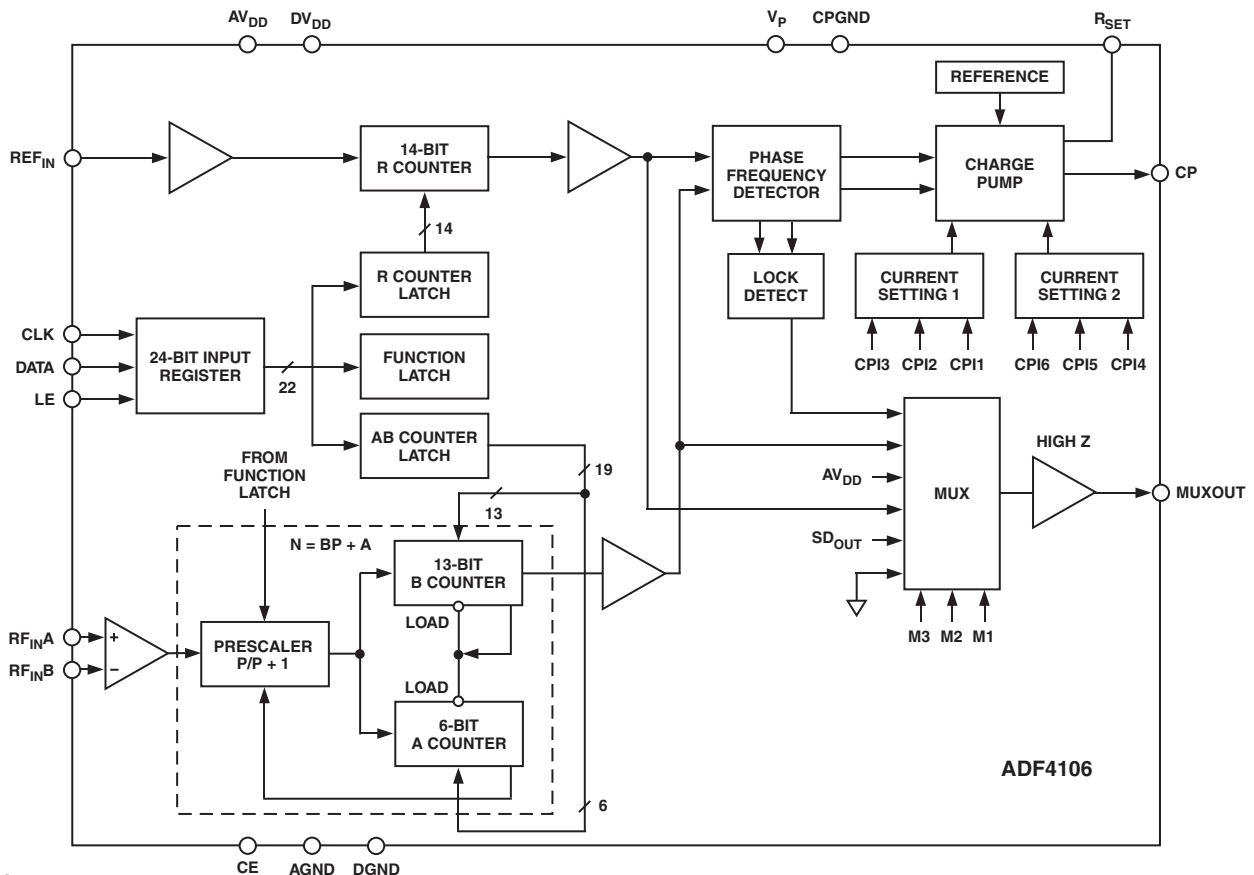
APPLICATIONS

- Broadband Wireless Access
- Instrumentation
- Wireless LANs
- Base Stations for Wireless Radio

GENERAL DESCRIPTION

The ADF4106 frequency synthesizer can be used to implement local oscillators in the upconversion and downconversion sections of wireless receivers and transmitters. It consists of a low noise digital PFD (phase frequency detector), a precision charge pump, a programmable reference divider, programmable A and B counters, and a dual-modulus prescaler ($P/P + 1$). The A (6-bit) and B (13-bit) counters, in conjunction with the dual-modulus prescaler ($P/P + 1$), implement an N divider ($N = BP + A$). In addition, the 14-bit reference counter (R counter) allows selectable REF_{IN} frequencies at the PFD input. A complete PLL (phase-locked loop) can be implemented if the synthesizer is used with an external loop filter and VCO (voltage controlled oscillator). Its very high bandwidth means that frequency doublers can be eliminated in many high frequency systems, simplifying system architecture and lowering cost.

FUNCTIONAL BLOCK DIAGRAM



REV. A

Information furnished by Analog Devices is believed to be accurate and reliable. However, no responsibility is assumed by Analog Devices for its use, nor for any infringements of patents or other rights of third parties that may result from its use. No license is granted by implication or otherwise under any patent or patent rights of Analog Devices. Trademarks and registered trademarks are the property of their respective companies.

ADF4106—SPECIFICATIONS¹ ($AV_{DD} = DV_{DD} = 3\text{ V} \pm 10\%$; $AV_{DD} \leq V_P \leq 5.5\text{ V}$; $AGND = DGND = CPGND = 0\text{ V}$; $R_{SET} = 5.1\text{ k}\Omega$; dBm referred to $50\ \Omega$; $T_A = T_{MIN}$ to T_{MAX} , unless otherwise noted.)

Parameter	B Version ¹	BChips ² (Typ)	Unit	Test Conditions/Comments
RF CHARACTERISTICS				
RF Input Frequency (RF_{IN}) ³	0.5/6.0	0.5/6.0	GHz min/max	See Figure 3 for Input Circuit
RF Input Sensitivity	-10/0	-10/0	dBm min/max	
Maximum Allowable Prescaler Output Frequency ⁴	300	300	MHz max	
REF_{IN} CHARACTERISTICS				
REF _{IN} Input Frequency	20/250	20/250	MHz min/max	For $f < 20\text{ MHz}$, Use DC-Coupled Square Wave (0 to V_{DD}) AC-Coupled; When DC-Coupled, 0 to V_{DD} max (CMOS Compatible)
REF _{IN} Input Sensitivity ⁵	$0.8/AV_{DD}$	$0.8/AV_{DD}$	V p-p min/max	
REF _{IN} Input Capacitance	10	10	pF max	
REF _{IN} Input Current	± 100	± 100	μA max	
PHASE DETECTOR				
Phase Detector Frequency ⁶	56	56	MHz max	
CHARGE PUMP				
I_{CP} Sink/Source				Programmable, See Table V With $R_{SET} = 5.1\text{ k}\Omega$
High Value	5	5	mA typ	
Low Value	625	625	μA typ	With $R_{SET} = 5.1\text{ k}\Omega$ See Table V
Absolute Accuracy	2.5	2.5	% typ	
R_{SET} Range	2.7/10	2.7/10	k Ω typ	
I_{CP} Three-State Leakage Current	1	1	nA typ	$0.5\text{ V} \leq V_{CP} \leq V_P - 0.5\text{ V}$ $0.5\text{ V} \leq V_{CP} \leq V_P - 0.5\text{ V}$ $V_{CP} = V_P/2$
Sink and Source Current Matching	2	2	% typ	
I_{CP} vs. V_{CP}	1.5	1.5	% typ	
I_{CP} vs. Temperature	2	2	% typ	
LOGIC INPUTS				
V_{INH} , Input High Voltage	1.4	1.4	V min	
V_{INL} , Input Low Voltage	0.6	0.6	V max	
I_{INH}/I_{INL} , Input Current	± 1	± 1	μA max	
C_{IN} , Input Capacitance	10	10	pF max	
LOGIC OUTPUTS				
V_{OH} , Output High Voltage	1.4	1.4	V min	Open-Drain Output Chosen $1\text{ k}\Omega$ Pull-up to 1.8 V CMOS Output Chosen
V_{OH} , Output High Voltage	$V_{DD} - 0.4$	$V_{DD} - 0.4$	V min	
I_{OH}	100	100	μA max	$I_{OL} = 500\ \mu\text{A}$
V_{OL} , Output Low Voltage	0.4	0.4	V max	
POWER SUPPLIES				
AV_{DD}	2.7/3.3	2.7/3.3	V min/V max	$AV_{DD} \leq V_P \leq 5.5\text{ V}$ 13 mA typ $T_A = 25^\circ\text{C}$
DV_{DD}	AV_{DD}	AV_{DD}		
V_P	$AV_{DD}/5.5$	$AV_{DD}/5.5$	V min/V max	
I_{DD} ⁷ ($AI_{DD} + DI_{DD}$)	15	13	mA max	
I_P	0.4	0.4	mA max	
Power-Down Mode ⁸ ($AI_{DD} + DI_{DD}$)	10	10	μA typ	

Parameter	B Version ¹	BChips ² (Typ)	Unit	Test Conditions/Comments
NOISE CHARACTERISTICS				
ADF4106 Phase Noise Floor ⁹	-174	-174	dBc/Hz typ	@ 25 kHz PFD Frequency
	-166	-166	dBc/Hz typ	@ 200 kHz PFD Frequency
	-159	-159	dBc/Hz typ	@ 1 MHz PFD Frequency
Phase Noise Performance ¹⁰				@ VCO Output
900 MHz Output ¹¹	-93	-93	dBc/Hz typ	@ 1 kHz Offset and 200 kHz PFD Frequency
5800 MHz Output ¹²	-74	-74	dBc/Hz typ	@ 1 kHz Offset and 200 kHz PFD Frequency
5800 MHz Output ¹³	-84	-84	dBc/Hz typ	@ 1 kHz Offset and 1 MHz PFD Frequency
Spurious Signals				
900 MHz Output ¹¹	-90/-92	-90/-92	dBc typ	@ 200 kHz/400 kHz and 200 kHz PFD Frequency
5800 MHz Output ¹²	-65/-70	-65/-70	dBc typ	@ 200 kHz/400 kHz and 200 kHz PFD Frequency
5800 MHz Output ¹³	-70/-75	-70/-75	dBc typ	@ 1 MHz/2 MHz and 1 MHz PFD Frequency

NOTES

¹Operating temperature range (B Version) is -40°C to +85°C.

²The BChip specifications are given as typical values.

³Use a square wave for lower frequencies, below the minimum stated.

⁴The maximum operating frequency of the CMOS counters. The prescaler value should be chosen to ensure that the RF input is divided down to a frequency that is less than this value.

⁵AV_{DD} = DV_{DD} = 3 V.

⁶Guaranteed by design. Sample tested to ensure compliance.

⁷T_A = 25°C; AV_{DD} = DV_{DD} = 3 V; P = 16; RF_{IN} = 6.0 GHz.

⁸T_A = 25°C; AV_{DD} = DV_{DD} = 3.3 V; R = 16383; A = 63; B = 891; P = 32; RF_{IN} = 6.0 GHz.

⁹The synthesizer phase noise floor is estimated by measuring the in-band phase noise at the output of the VCO and subtracting 20logN (where N is the N divider value).

¹⁰The phase noise is measured with the EVAL-ADF4106EB1 evaluation board and the HP8562E spectrum analyzer. The spectrum analyzer provides the REF_{IN} for the synthesizer (f_{REFOUT} = 10 MHz @ 0 dBm).

¹¹f_{REFIN} = 10 MHz; f_{PFD} = 200 kHz; Offset Frequency = 1 kHz; f_{RF} = 900 MHz; N = 4500; Loop B/W = 20 kHz.

¹²f_{REFIN} = 10 MHz; f_{PFD} = 200 kHz; Offset Frequency = 1 kHz; f_{RF} = 5800 MHz; N = 29000; Loop B/W = 20 kHz.

¹³f_{REFIN} = 10 MHz; f_{PFD} = 1 MHz; Offset Frequency = 1 kHz; f_{RF} = 5800 MHz; N = 5800; Loop B/W = 100 kHz.

Specifications subject to change without notice.

TIMING CHARACTERISTICS (AV_{DD} = DV_{DD} = 3 V = 10%; AV_{DD} ≤ V_P ≤ 5.5 V; AGND = DGND = CPGND = 0 V; R_{SET} = 5.1 kΩ; T_A = T_{MIN} to T_{MAX}, unless otherwise noted.)

Parameter	Limit at T _{MIN} to T _{MAX} (B Version)	Unit	Test Conditions/Comments
t ₁	10	ns min	DATA to CLOCK Setup Time
t ₂	10	ns min	DATA to CLOCK Hold Time
t ₃	25	ns min	CLOCK High Duration
t ₄	25	ns min	CLOCK Low Duration
t ₅	10	ns min	CLOCK to LE Setup Time
t ₆	20	ns min	LE Pulsewidth

NOTES

Guaranteed by design but not production tested.

Specifications subject to change without notice.

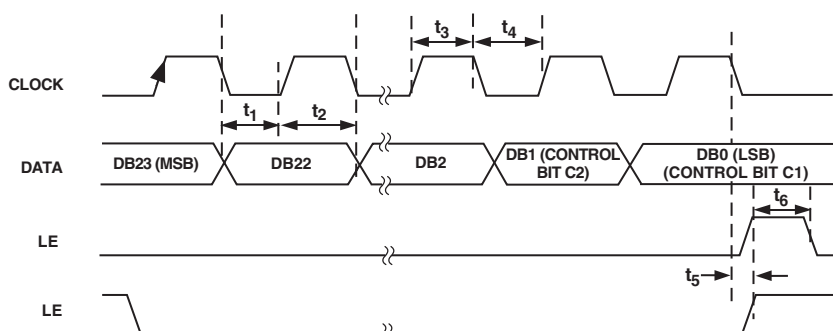


Figure 1. Timing Diagram

ADF4106

ABSOLUTE MAXIMUM RATINGS^{1, 2}

(T_A = 25°C, unless otherwise noted.)

AV _{DD} to GND ³	-0.3 V to +3.6 V
AV _{DD} to DV _{DD}	-0.3 V to +0.3 V
V _P to GND	-0.3 V to +5.8 V
V _P to AV _{DD}	-0.3 V to +5.8 V
Digital I/O Voltage to GND	-0.3 V to V _{DD} + 0.3 V
Analog I/O Voltage to GND	-0.3 V to V _P + 0.3 V
REF _{IN} , RF _{IN} A, RF _{IN} B to GND	-0.3 V to V _{DD} + 0.3 V
Operating Temperature Range	
Industrial (B Version)	-40°C to +85°C
Storage Temperature Range	-65°C to +150°C
Maximum Junction Temperature	150°C
TSSOP θ _{JA} Thermal Impedance	150.4°C/W

LFCSP θ _{JA} Thermal Impedance	122°C/W
Lead Temperature, Soldering	
Vapor Phase (60 sec)	215°C
Infrared (15 sec)	220°C

NOTES

¹ Stresses above those listed under Absolute Maximum Ratings may cause permanent damage to the device. This is a stress rating only; functional operation of the device at these or any other conditions above those listed in the operational sections of this specification is not implied. Exposure to absolute maximum rating conditions for extended periods may affect device reliability.

² This device is a high performance RF integrated circuit with an ESD rating of <2 kV, and it is ESD sensitive. Proper precautions should be taken for handling and assembly.

³ GND = AGND = DGND = 0 V.

ORDERING GUIDE

Model	Temperature Range	Package Option*
ADF4106BRU	-40°C to +85°C	RU-16
ADF4106BRU-REEL	-40°C to +85°C	RU-16
ADF4106BRU-REEL7	-40°C to +85°C	RU-16
ADF4106BCP	-40°C to +85°C	CP-20
ADF4106BCP-REEL	-40°C to +85°C	CP-20
ADF4106BCP-REEL7	-40°C to +85°C	CP-20
EVAL-ADF4106EB1		

*RU = Thin Shrink Small Outline Package (TSSOP).

CP = Lead Frame Chip Scale Package (LFCSP).

Contact the factory for chip availability.

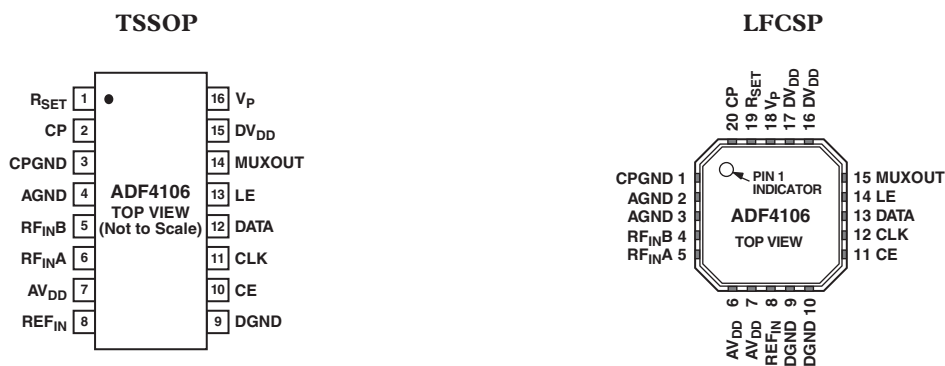
Note that aluminum bond wire should not be used with the ADF4106 die.

CAUTION

ESD (electrostatic discharge) sensitive device. Electrostatic charges as high as 4000 V readily accumulate on the human body and test equipment and can discharge without detection. Although the ADF4106 features proprietary ESD protection circuitry, permanent damage may occur on devices subjected to high energy electrostatic discharges. Therefore, proper ESD precautions are recommended to avoid performance degradation or loss of functionality.



PIN CONFIGURATIONS



NOTE: TRANSISTOR COUNT 6425 (CMOS), 303 (BIPOLAR)

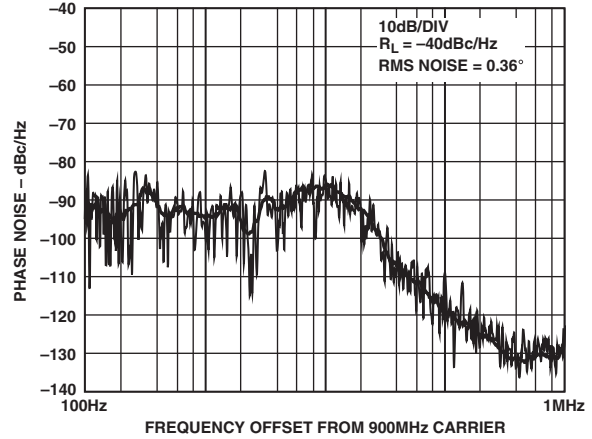
PIN FUNCTION DESCRIPTIONS

Mnemonic	Function
R _{SET}	Connecting a resistor between this pin and CPGND sets the maximum charge pump output current. The nominal voltage potential at the R _{SET} pin is 0.6 V. The relationship between I _{CP} and R _{SET} is $I_{CP\ MAX} = \frac{25.5}{R_{SET}}$
CP	Charge Pump Output. When enabled, this provides ±I _{CP} to the external loop filter, which in turn drives the external VCO.
CPGND	Charge Pump Ground. This is the ground return path for the charge pump.
AGND	Analog Ground. This is the ground return path of the prescaler.
RF _{IN} B	Complementary Input to the RF Prescaler. This point must be decoupled to the ground plane with a small bypass capacitor, typically 100 pF. See Figure 3.
RF _{IN} A	Input to the RF Prescaler. This small signal input is ac-coupled to the external VCO.
AV _{DD}	Analog Power Supply. This may range from 2.7 V to 3.3 V. Decoupling capacitors to the analog ground plane should be placed as close as possible to this pin. AV _{DD} must be the same value as DV _{DD} .
REF _{IN}	Reference Input. This is a CMOS input with a nominal threshold of V _{DD} /2 and a dc equivalent input resistance of 100 kΩ. See Figure 2. This input can be driven from a TTL or CMOS crystal oscillator, or it can be ac-coupled.
DGND	Digital Ground.
CE	Chip Enable. A logic low on this pin powers down the device and puts the charge pump output into three-state mode. Taking the pin high powers up the device, depending on the status of the power-down bit F2.
CLK	Serial Clock Input. This serial clock is used to clock in the serial data to the registers. The data is latched into the 24-bit shift register on the CLK rising edge. This input is a high impedance CMOS input.
DATA	Serial Data Input. The serial data is loaded MSB first with the 2 LSB being the control bits. This input is a high impedance CMOS input.
LE	Load Enable, CMOS Input. When LE goes high, the data stored in the shift registers is loaded into one of the four latches, the latch being selected using the control bits.
MUXOUT	This multiplexer output allows either the lock detect, the scaled RF, or the scaled reference frequency to be accessed externally.
DV _{DD}	Digital Power Supply. This may range from 2.7 V to 3.3 V. Decoupling capacitors to the digital ground plane should be placed as close as possible to this pin. DV _{DD} must be the same value as AV _{DD} .
V _P	Charge Pump Power Supply. This should be greater than or equal to V _{DD} . In systems where V _{DD} is 3 V, it can be set to 5 V and used to drive a VCO with a tuning range of up to 5 V.

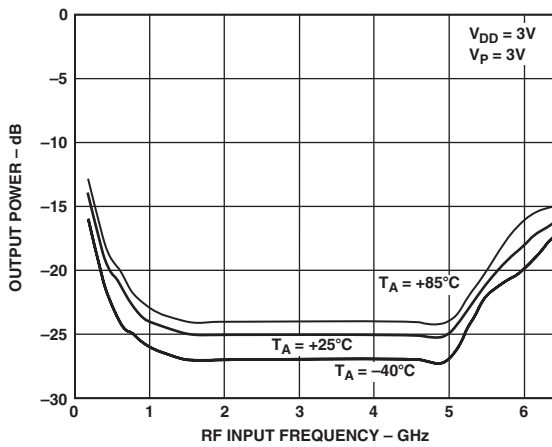
ADF4106—Typical Performance Characteristics

FREQ UNIT - GHz	KEYWORD - R				
PARAM TYPE - S	IMPEDANCE Ω - 50				
DATA FORMAT - MA					
FREQ	MAGS11	ANGS11	FREQ	MAGS11	ANGS11
0.500	0.89148	-17.2820	3.300	0.42777	-102.748
0.600	0.88133	-20.6919	3.400	0.42859	-107.167
0.700	0.87152	-24.5386	3.500	0.43365	-111.883
0.800	0.85855	-27.3228	3.600	0.43649	-117.548
0.900	0.84911	-31.0698	3.700	0.44475	-123.856
1.000	0.83512	-34.8623	3.800	0.44800	-130.399
1.100	0.82374	-38.5574	3.900	0.45223	-136.744
1.200	0.80871	-41.9935	4.000	0.45555	-142.766
1.300	0.79176	-45.6990	4.100	0.45313	-149.269
1.400	0.77205	-49.4185	4.200	0.45622	-154.884
1.500	0.75696	-52.8898	4.300	0.45555	-159.680
1.600	0.74234	-56.2923	4.400	0.46108	-164.916
1.700	0.72239	-60.2684	4.500	0.45325	-169.452
1.800	0.69419	-63.1446	4.600	0.45054	-173.462
1.900	0.67288	-65.6464	4.700	0.45200	-176.697
2.000	0.66227	-68.0742	4.800	0.45043	-179.824
2.100	0.64758	-71.3530	4.900	0.45282	-174.947
2.200	0.62454	-75.5658	5.000	0.44287	-170.237
2.300	0.59466	-79.6404	5.100	0.44909	-166.617
2.400	0.55932	-82.8246	5.200	0.44294	-162.786
2.500	0.52256	-85.2795	5.300	0.44558	-158.766
2.600	0.48754	-85.6298	5.400	0.45417	-153.195
2.700	0.46411	-86.1854	5.500	0.46038	-147.721
2.800	0.45776	-86.4997	5.600	0.47128	-139.760
2.900	0.44859	-88.8080	5.700	0.47439	-132.657
3.000	0.44588	-91.9737	5.800	0.48604	-125.782
3.100	0.43810	-95.4087	5.900	0.50637	-121.110
3.200	0.43269	-99.1282	6.000	0.52172	-115.400

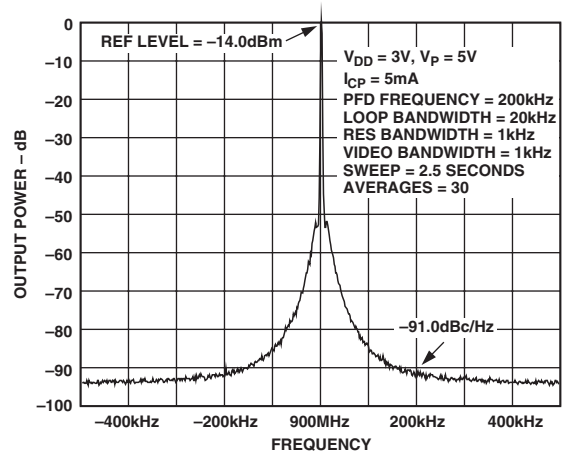
TPC 1. S-Parameter Data for the RF Input



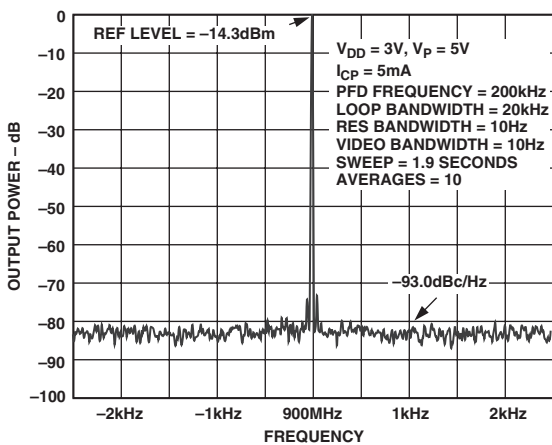
TPC 4. Integrated Phase Noise (900 MHz, 200 kHz, and 20 kHz)



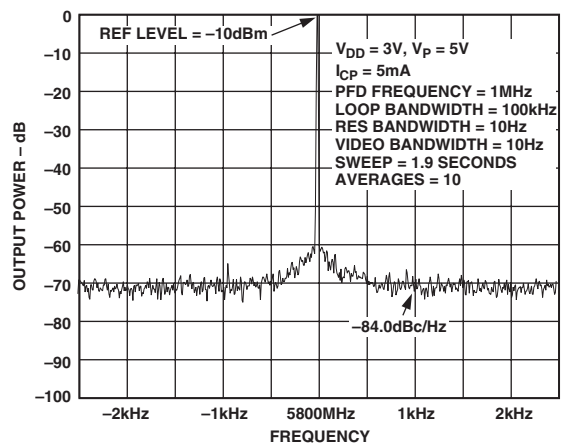
TPC 2. Input Sensitivity



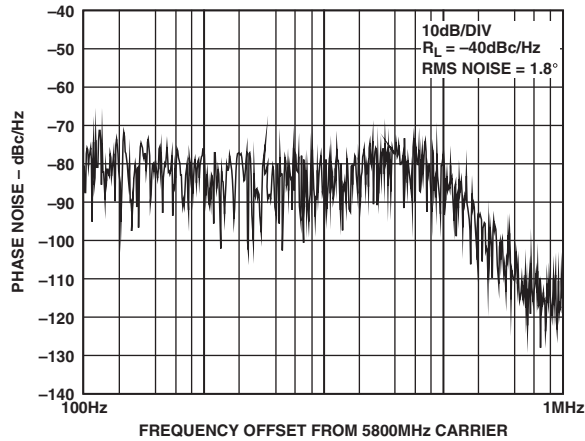
TPC 5. Reference Spurs (900 MHz, 200 kHz, and 20 kHz)



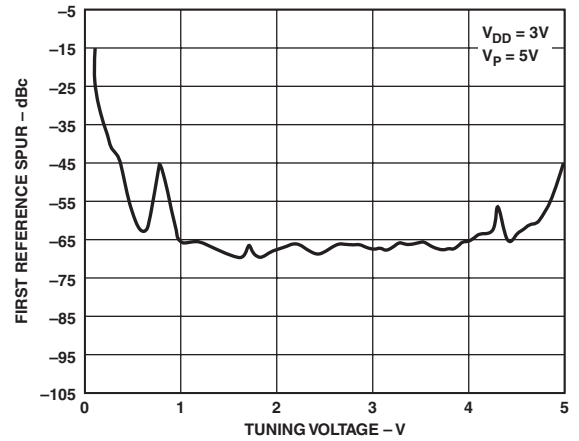
TPC 3. Phase Noise (900 MHz, 200 kHz, and 20 kHz)



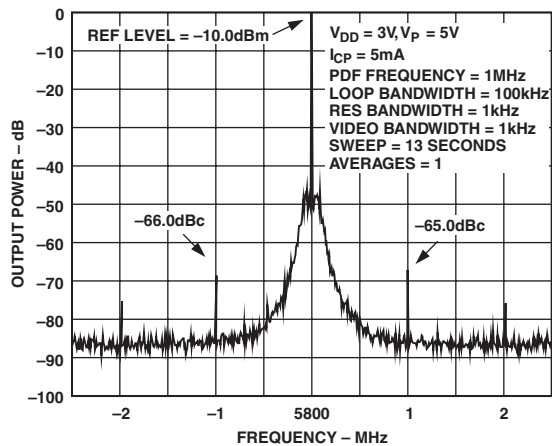
TPC 6. Phase Noise (5.8 GHz, 1 MHz, and 100 kHz)



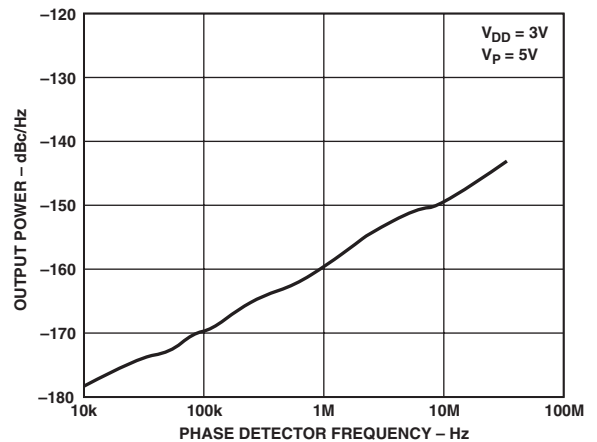
TPC 7. Integrated Phase Noise (5.8 GHz, 1 MHz, and 100 kHz)



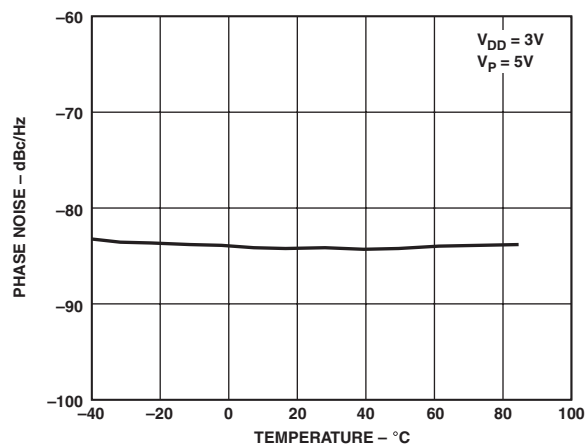
TPC 10. Reference Spurs vs. V_{TUNE} (5.8 GHz, 1 MHz, and 100 kHz)



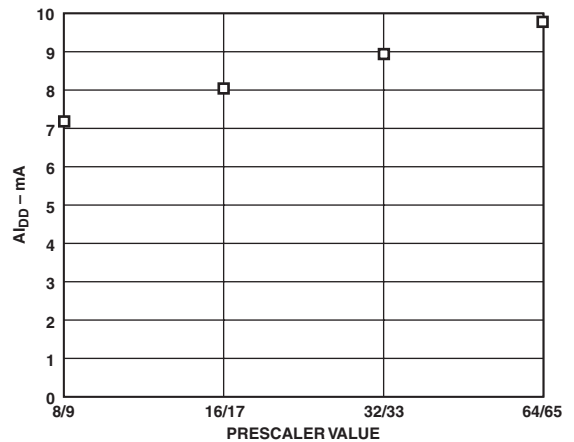
TPC 8. Reference Spurs (5.8 GHz, 1 MHz, and 100 kHz)



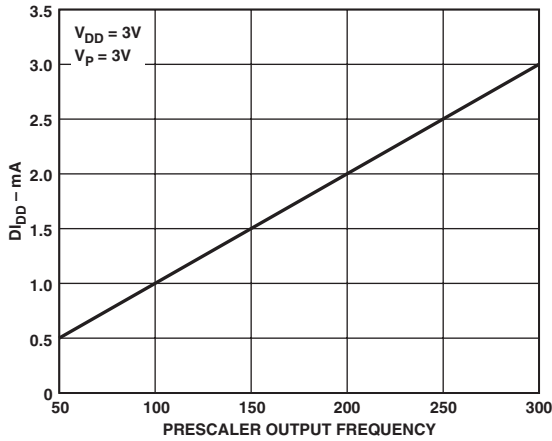
TPC 11. Phase Noise (Referred to CP Output) vs. PFD Frequency



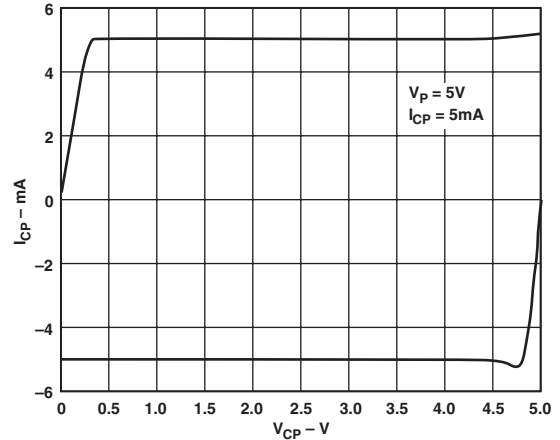
TPC 9. Phase Noise (5.8 GHz, 1 MHz, and 100 kHz) vs. Temperature



TPC 12. $A_{I_{DD}}$ vs. Prescaler Value



TPC 13. D_{IDD} vs. Prescaler Output Frequency



TPC 14. Charge Pump Output Characteristics

CIRCUIT DESCRIPTION

REFERENCE INPUT SECTION

The reference input stage is shown in Figure 2. SW1 and SW2 are normally closed switches. SW3 is normally open. When power-down is initiated, SW3 is closed and SW1 and SW2 are opened. This ensures that there is no loading of the REF_{IN} pin on power-down.

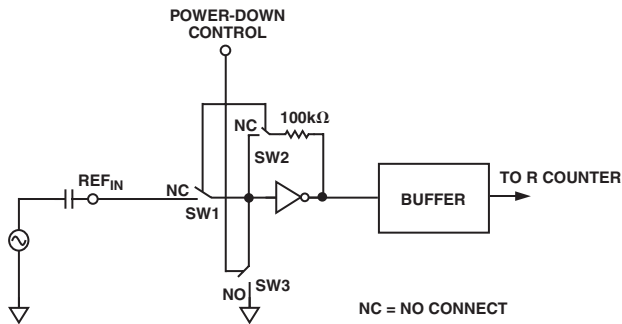


Figure 2. Reference Input Stage

RF INPUT STAGE

The RF input stage is shown in Figure 3. It is followed by a two-stage limiting amplifier to generate the CML clock levels needed for the prescaler.

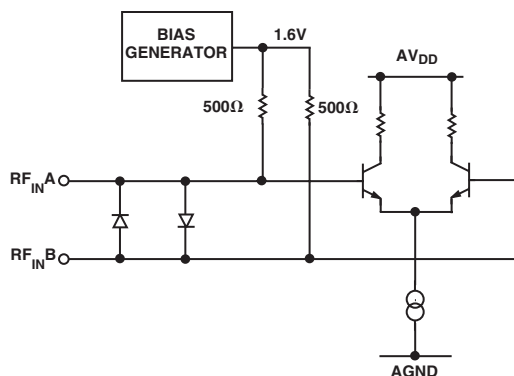


Figure 3. RF Input Stage

PRESCALER (P/P + 1)

The dual-modulus prescaler (P/P + 1), along with the A and B counters, enables the large division ratio, N, to be realized ($N = BP + A$). The dual-modulus prescaler, operating at CML levels, takes the clock from the RF input stage and divides it down to a manageable frequency for the CMOS A and B counters. The prescaler is programmable. It can be set in software to 8/9, 16/17, 32/33, or 64/65. It is based on a synchronous 4/5 core. There is a minimum divide ratio possible for fully contiguous output frequencies. This minimum is determined by P, the prescaler value, and is given by $(P^2 - P)$.

A AND B COUNTERS

The A and B CMOS counters combine with the dual-modulus prescaler to allow a wide ranging division ratio in the PLL feedback counter. The counters are specified to work when the prescaler output is 300 MHz or less. Thus, with an RF input frequency of 4.0 GHz, a prescaler value of 16/17 is valid but a value of 8/9 is not.

Pulse Swallow Function

The A and B counters, in conjunction with the dual-modulus prescaler, make it possible to generate output frequencies that are spaced only by the reference frequency divided by R. The equation for the VCO frequency is as follows:

$$f_{VCO} = [(P \times B) + A] \times \frac{f_{REFIN}}{R}$$

- f_{VCO} Output frequency of external voltage controlled oscillator (VCO).
- P Preset modulus of dual-modulus prescaler (8/9, 16/17, and so on).
- B Preset divide ratio of binary 13-bit counter (3 to 8191).
- A Preset divide ratio of binary 6-bit swallow counter (0 to 63).
- f_{REFIN} External reference frequency oscillator.

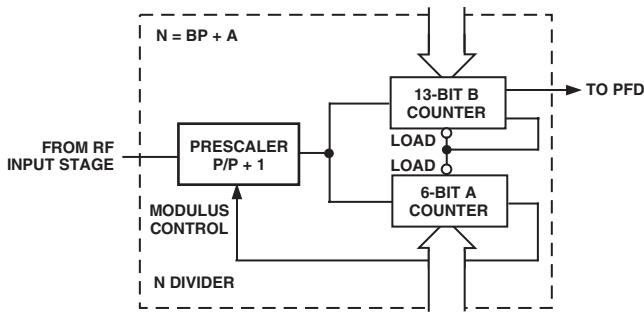


Figure 4. A and B Counters

R COUNTER

The 14-bit R counter allows the input reference frequency to be divided down to produce the reference clock to the phase frequency detector (PFD). Division ratios from 1 to 16,383 are allowed.

PHASE FREQUENCY DETECTOR AND CHARGE PUMP

The PFD takes inputs from the R counter and N counter ($N = BP + A$) and produces an output proportional to the phase and frequency difference between them. Figure 5 is a simplified schematic. The PFD includes a programmable delay element that controls the width of the antibacklash pulse. This pulse ensures that there is no dead zone in the PFD transfer function and minimizes phase noise and reference spurs. Two bits in the reference counter latch, ABP2 and ABP1, control the width of the pulse. See Table III.

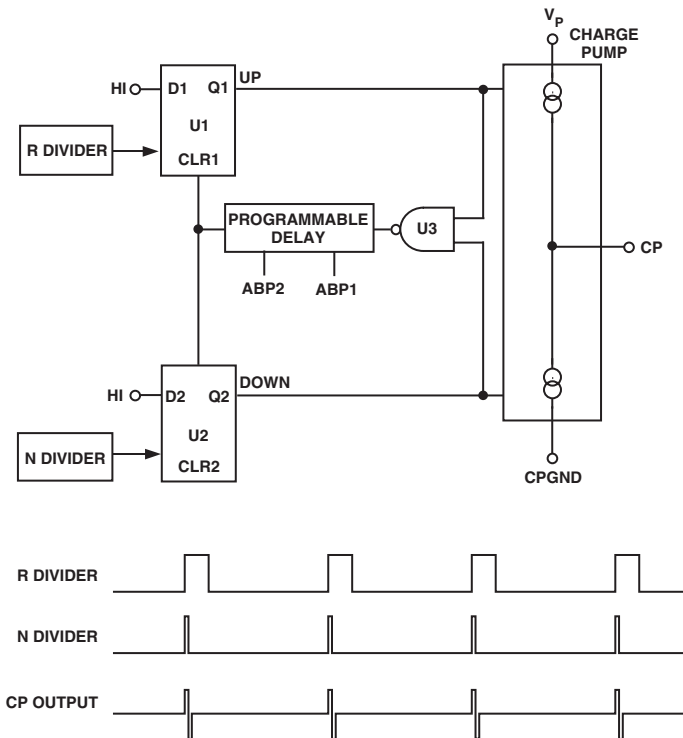


Figure 5. PFD Simplified Schematic and Timing (In Lock)

MUXOUT AND LOCK DETECT

The output multiplexer on the ADF4106 allows the user to access various internal points on the chip. The state of MUXOUT is controlled by M3, M2, and M1 in the function latch. Table V shows the full truth table. Figure 6 shows the MUXOUT section in block diagram form.

Lock Detect

MUXOUT can be programmed for two types of lock detect: digital lock detect and analog lock detect.

Digital lock detect is active high. When LDP in the R counter latch is set to 0, digital lock detect is set high when the phase error on three consecutive phase detector cycles is less than 15 ns. With LDP set to 1, five consecutive cycles of less than 15 ns are required to set the lock detect. It will stay set high until a phase error of greater than 25 ns is detected on any subsequent PD cycle.

The N-channel open-drain analog lock detect should be operated with an external pull-up resistor of 10 kΩ nominal. When lock has been detected, this output will be high with narrow low-going pulses.

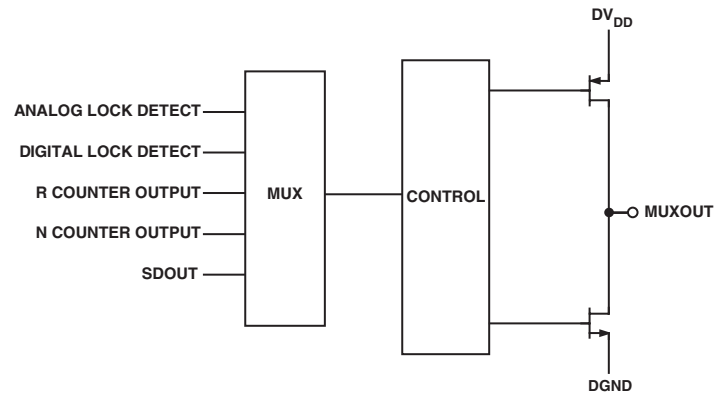


Figure 6. MUXOUT Circuit

INPUT SHIFT REGISTER

The ADF4106 digital section includes a 24-bit input shift register, a 14-bit R counter, and a 19-bit N counter, comprising a 6-bit A counter and a 13-bit B counter. Data is clocked into the 24-bit shift register on each rising edge of CLK. The data is clocked in MSB first. Data is transferred from the shift register to one of four latches on the rising edge of LE. The destination latch is determined by the state of the two control bits (C2, C1) in the shift register. These are the two LSBs, DB1 and DB0, as shown in the timing diagram of Figure 1. The truth table for these bits is shown in Table VI. Table I shows a summary of how the latches are programmed.

Table I. C2, C1 Truth Table

Control Bits		Data Latch
C2	C1	
0	0	R Counter
0	1	N Counter (A and B)
1	0	Function Latch (Including Prescaler)
1	1	Initialization Latch

Table II. Latch Summary

REFERENCE COUNTER LATCH

RESERVED			LOCK DETECT PRECISION	TEST MODE BITS		ANTI- BACKLASH WIDTH		14-BIT REFERENCE COUNTER														CONTROL BITS	
DB23	DB22	DB21		DB19	DB18	DB17	DB16	DB15	DB14	DB13	DB12	DB11	DB10	DB9	DB8	DB7	DB6	DB5	DB4	DB3	DB2	DB1	DB0
X	0	0	LDP	T2	T1	ABP2	ABP1	R14	R13	R12	R11	R10	R9	R8	R7	R6	R5	R4	R3	R2	R1	C2 (0)	C1 (0)

N COUNTER LATCH

RESERVED		CP GAIN	13-BIT B COUNTER											6-BIT A COUNTER						CONTROL BITS			
DB23	DB22		DB20	DB19	DB18	DB17	DB16	DB15	DB14	DB13	DB12	DB11	DB10	DB9	DB8	DB7	DB6	DB5	DB4	DB3	DB2	DB1	DB0
		G1	B13	B12	B11	B10	B9	B8	B7	B6	B5	B4	B3	B2	B1	A6	A5	A4	A3	A2	A1	C2 (0)	C1 (1)

FUNCTION LATCH

PRESCALER VALUE		POWER- DOWN 2	CURRENT SETTING 2			CURRENT SETTING 1			TIMER COUNTER CONTROL				FASTLOCK MODE	FASTLOCK ENABLE	CP THREE- STATE	PD POLARITY	MUXOUT CONTROL			POWER- DOWN 1	COUNTER RESET	CONTROL BITS	
DB23	DB22		DB20	DB19	DB18	DB17	DB16	DB15	DB14	DB13	DB12	DB11					DB10	DB9	DB8			DB7	DB6
P2	P1	PD2	CPI6	CPI5	CPI4	CPI3	CPI2	CPI1	TC4	TC3	TC2	TC1	F5	F4	F3	F2	M3	M2	M1	PD1	F1	C2 (1)	C1 (0)

INITIALIZATION LATCH

PRESCALER VALUE		POWER- DOWN 2	CURRENT SETTING 2			CURRENT SETTING 1			TIMER COUNTER CONTROL				FASTLOCK MODE	FASTLOCK ENABLE	CP THREE- STATE	PD POLARITY	MUXOUT CONTROL			POWER- DOWN 1	COUNTER RESET	CONTROL BITS	
DB23	DB22		DB20	DB19	DB18	DB17	DB16	DB15	DB14	DB13	DB12	DB11					DB10	DB9	DB8			DB7	DB6
P2	P1	PD2	CPI6	CPI5	CPI4	CPI3	CPI2	CPI1	TC4	TC3	TC2	TC1	F5	F4	F3	F2	M3	M2	M1	PD1	F1	C2 (1)	C1 (1)

Table III. Reference Counter Latch Map

RESERVED			LOCK DETECT PRECISION	TEST MODE BITS		ANTI-BACKLASH WIDTH		14-BIT REFERENCE COUNTER														CONTROL BITS	
DB23	DB22	DB21	DB20	DB19	DB18	DB17	DB16	DB15	DB14	DB13	DB12	DB11	DB10	DB9	DB8	DB7	DB6	DB5	DB4	DB3	DB2	DB1	DB0
X	0	0	LDP	T2	T1	ABP2	ABP1	R14	R13	R12	R11	R10	R9	R8	R7	R6	R5	R4	R3	R2	R1	C2 (0)	C1 (0)

X = DON'T CARE

R14	R13	R12	R3	R2	R1	DIVIDE RATIO
0	0	0	0	0	1	1
0	0	0	0	1	0	2
0	0	0	0	1	1	3
0	0	0	1	0	0	4
.
.
.
1	1	1	1	0	0	16380
1	1	1	1	0	1	16381
1	1	1	1	1	0	16382
1	1	1	1	1	1	16383

ABP2	ABP1	ANTIBACKLASH PULSEWIDTH
0	0	2.9 ns
0	1	1.3 ns
1	0	6.0 ns
1	1	2.9 ns

TEST MODE BITS SHOULD BE SET TO 00 FOR NORMAL OPERATION.

LDP	OPERATION
0	THREE CONSECUTIVE CYCLES OF PHASE DELAY LESS THAN 15 ns MUST OCCUR BEFORE LOCK DETECT IS SET.
1	FIVE CONSECUTIVE CYCLES OF PHASE DELAY LESS THAN 15 ns MUST OCCUR BEFORE LOCK DETECT IS SET.

BOTH OF THESE BITS MUST BE SET TO 0 FOR NORMAL OPERATION.

Table IV. AB Counter Latch Map

RESERVED		CP GAIN	13-BIT B COUNTER													6-BIT A COUNTER						CONTROL BITS	
DB23	DB22	DB21	DB20	DB19	DB18	DB17	DB16	DB15	DB14	DB13	DB12	DB11	DB10	DB9	DB8	DB7	DB6	DB5	DB4	DB3	DB2	DB1	DB0
X	X	G1	B13	B12	B11	B10	B9	B8	B7	B6	B5	B4	B3	B2	B1	A6	A5	A4	A3	A2	A1	C2 (0)	C1 (1)

X = DON'T CARE

A6	A5	A2	A1	A COUNTER DIVIDE RATIO
0	0	0	0	0
0	0	0	1	1
0	0	1	0	2
0	0	1	1	3
.
.
.
1	1	0	0	60
1	1	0	1	61
1	1	1	0	62
1	1	1	1	63

B13	B12	B11	B3	B2	B1	B COUNTER DIVIDE RATIO
0	0	0	0	0	0	NOT ALLOWED
0	0	0	0	0	1	NOT ALLOWED
0	0	0	0	1	0	NOT ALLOWED
0	0	0	1	1	1	3
.
.
.
1	1	1	1	0	0	8188
1	1	1	1	0	1	8189
1	1	1	1	1	0	8190
1	1	1	1	1	1	8191

F4 (FUNCTION LATCH) FASTLOCK ENABLE	CP GAIN	OPERATION
0	0	CHARGE PUMP CURRENT SETTING IS PERMANENTLY USED.
1	1	CHARGE PUMP CURRENT SETTING IS PERMANENTLY USED.
0	1	CHARGE PUMP CURRENT SETTING IS PERMANENTLY USED.
1	0	CHARGE PUMP CURRENT SETTING IS PERMANENTLY USED.
1	1	CHARGE PUMP CURRENT IS SWITCHED TO SETTING 2. THE TIME SPENT IN SETTING 2 IS DEPENDENT ON WHICH FASTLOCK MODE IS USED. SEE FUNCTION LATCH DESCRIPTION

$N = BP + A$; P IS PRESCALER VALUE SET IN THE FUNCTION LATCH. B MUST BE GREATER THAN OR EQUAL TO A. FOR CONTINUOUSLY ADJACENT VALUES OF $(N \times F_{REF})$, AT THE OUTPUT, N_{MIN} IS $(P^2 - P)$.

THESE BITS ARE NOT USED BY THE DEVICE AND ARE DON'T CARE BITS.

Table V. Function Latch Map

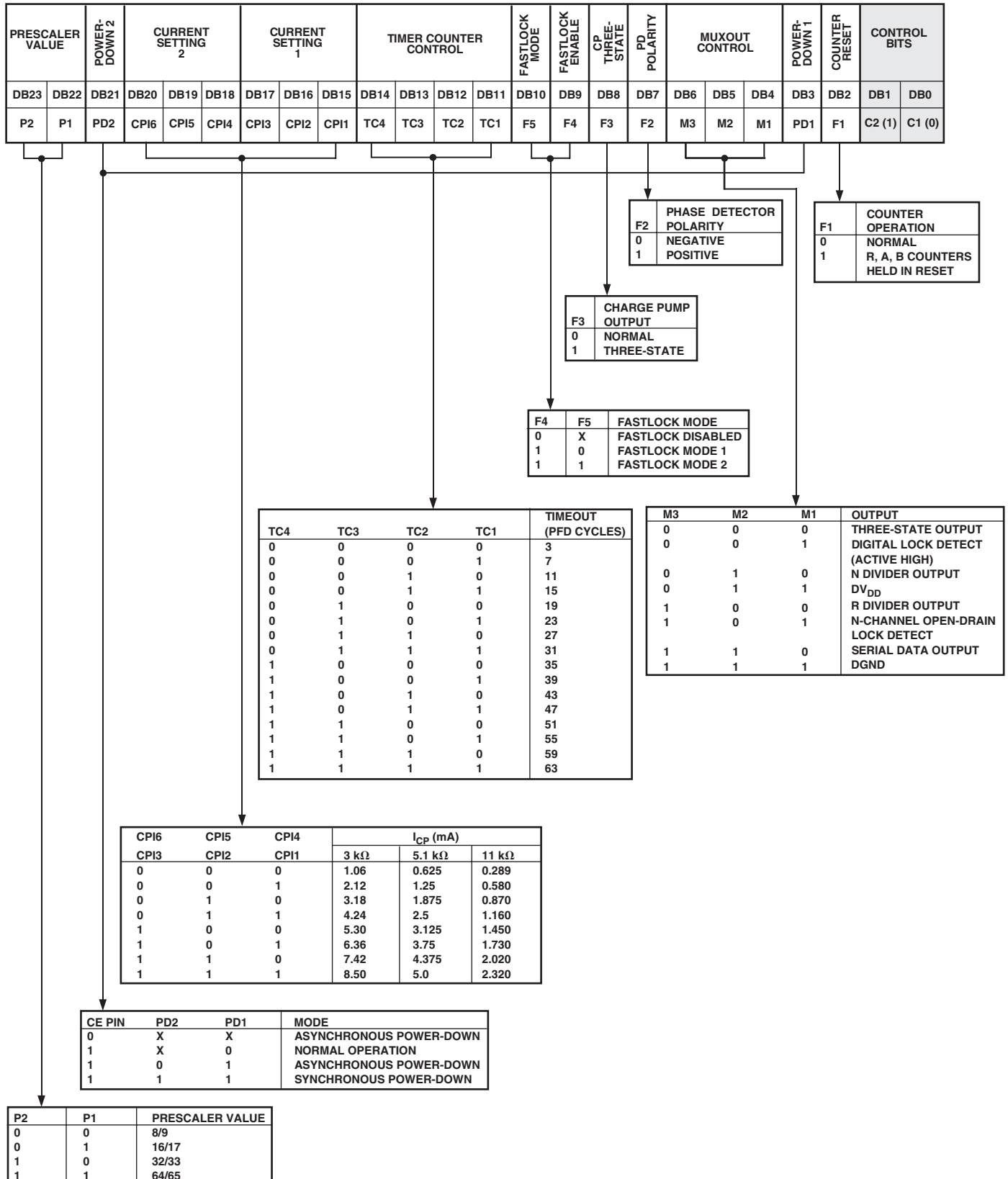
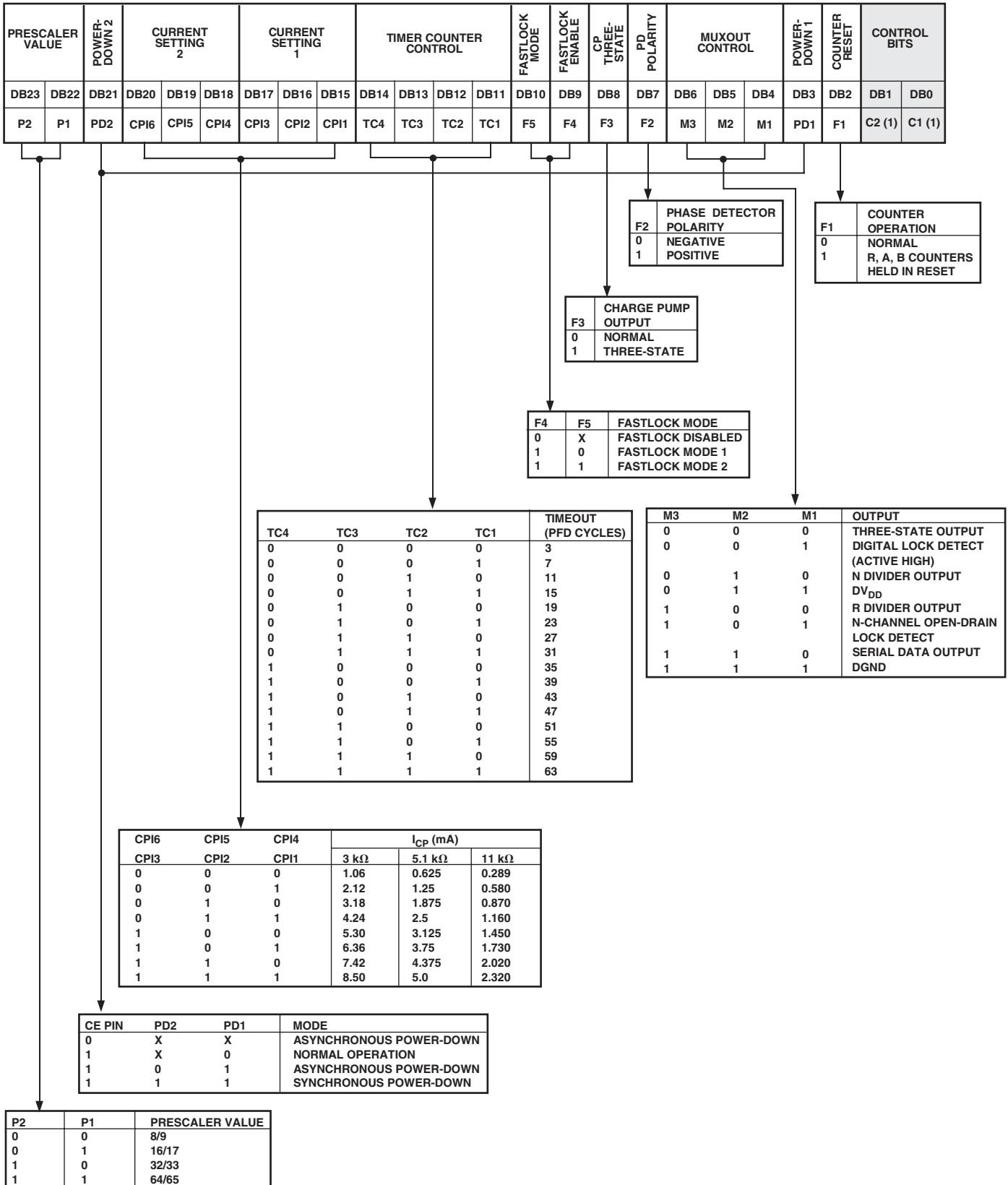


Table VI. Initialization Latch Map



FUNCTION LATCH

With C2, C1 set to 1, 0, the on-chip function latch will be programmed. Table V shows the input data format for programming the function latch.

Counter Reset

DB2 (F1) is the counter reset bit. When this is 1, the R counter and the A, B counters are reset. For normal operation, this bit should be 0. *Upon power-up, the F1 bit needs to be disabled (set to 0). The N counter then resumes counting in close alignment with the R counter. (The maximum error is one prescaler cycle.)*

Power-Down

DB3 (PD1) and DB21 (PD2) on the ADF4106 provide programmable power-down modes. They are enabled by the CE pin. When the CE pin is low, the device is immediately disabled regardless of the states of PD2, PD1. In the programmed asynchronous power-down, the device powers down immediately after latching a 1 into bit PD1, with the condition that PD2 has been loaded with a 0. In the programmed synchronous power-down, the device power-down is gated by the charge pump to prevent unwanted frequency jumps. Once the power-down is enabled by writing a 1 into bit PD1 (on condition that a 1 has also been loaded to PD2), the device will go into power-down on the occurrence of the next charge pump event. When a power-down is activated (either synchronous or asynchronous mode including CE pin-activated power-down), the following events occur:

- All active dc current paths are removed.
- The R, N, and timeout counters are forced to their load state conditions.
- The charge pump is forced into three-state mode.
- The digital lock detect circuitry is reset.
- The RF_{IN} input is debiased.
- The reference input buffer circuitry is disabled.
- The input register remains active and capable of loading and latching data.

MUXOUT Control

The on-chip multiplexer is controlled by M3, M2, and M1 on the ADF4106. Table V shows the truth table.

Fastlock Enable Bit

DB9 of the function latch is the fastlock enable bit. Only when this is 1 is fastlock enabled.

Fastlock Mode Bit

DB10 of the function latch is the fastlock mode bit. When fastlock is enabled, this bit determines which fastlock mode is used. If the fastlock mode bit is 0, Fastlock Mode 1 is selected, and if the fastlock mode bit is 1, Fastlock Mode 2 is selected.

Fastlock Mode 1

The charge pump current is switched to the contents of Current Setting 2. The device enters fastlock by having a 1 written to the CP gain bit in the AB counter latch. The device exits fastlock by having a 0 written to the CP gain bit in the AB counter latch.

Fastlock Mode 2

The charge pump current is switched to the contents of Current Setting 2. The device enters fastlock by having a 1 written to the CP gain bit in the AB counter latch. The device exits fastlock under the control of the timer counter. After the timeout period determined by the value in TC4 through TC1, the CP gain bit in the AB counter latch is automatically reset to 0 and the device reverts to normal mode instead of fastlock. See Table V for the timeout periods.

Timer Counter Control

The user has the option of programming two charge pump currents. The intent is that the Current Setting 1 is used when the RF output is stable and the system is in a static state. Current Setting 2 is meant to be used when the system is dynamic and in a state of change (e.g., when a new output frequency is programmed). The normal sequence of events is as follows.

Users initially decide what the preferred charge pump currents will be. For example, they may choose 2.5 mA as Current Setting 1 and 5 mA as Current Setting 2. At the same time, they must also decide how long they want the secondary current to stay active before reverting to the primary current. This is controlled by the timer counter control bits DB14 to DB11 (TC4 through TC1) in the function latch. The truth table is provided in Table V.

When users want to program a new output frequency, they can simply program the AB counter latch with new values for A and B. At the same time, they can set the CP gain bit to a 1, which sets the charge pump with the value in CPI6 through CPI4 for a period of time determined by TC4 through TC1. When this time is up, the charge pump current reverts to the value set by CPI3 through CPI1. At the same time, the CP Gain bit in the AB counter latch is reset to 0 and is ready for the next time the user wants to change the frequency.

Note that there is an enable feature on the timer counter. It is enabled when Fastlock Mode 2 is chosen when the fastlock mode bit (DB10) in the function latch is set to 1.

Charge Pump Currents

CPI3, CPI2, and CPI1 program Current Setting 1 for the charge pump. CPI6, CPI5, and CPI4 program Current Setting 2 for the charge pump. The truth table is in Table V.

Prescaler Value

P2 and P1 in the function latch set the prescaler values. The prescaler value should be chosen so that the prescaler output frequency is always less than or equal to 300 MHz. Thus, with an RF frequency of 4 GHz, a prescaler value of 16/17 is valid, but a value of 8/9 is not.

PD Polarity

This bit sets the phase detector polarity bit. See Table V.

CP Three-State

This bit controls the CP output pin. With the bit set high, the CP output is put into three-state. With the bit set low, the CP output is enabled.

ADF4106

INITIALIZATION LATCH

When C2, C1 = 1, 1, the initialization latch is programmed. This is essentially the same as the function latch (programmed when C2, C1 = 1, 0).

However, when the initialization latch is programmed, there is an additional internal reset pulse applied to the R and AB counters. This pulse ensures that the AB counter is at the load point when the AB counter data is latched, and the device will begin counting in close phase alignment.

If the latch is programmed for synchronous power-down (CE pin is high; PD1 bit is high; PD2 bit is low), the internal pulse also triggers this power-down. The prescaler reference and the oscillator input buffer are unaffected by the internal reset pulse, so close phase alignment is maintained when counting resumes.

When the first AB counter data is latched after initialization, the internal reset pulse is again activated. However, subsequent AB counter loads will not trigger the internal reset pulse.

DEVICE PROGRAMMING AFTER INITIAL POWER-UP

After the device is initially powered up, there are three ways to program it.

Initialization Latch Method

- Apply V_{DD} .
- Program the initialization latch (11 in 2 LSB of input word). Make sure that F1 bit is programmed to 0.
- Do a function latch load (10 in 2 LSB of the control word), making sure that the F1 bit is programmed to a 0.
- Do an R load (00 in 2 LSB).
- Do an AB load (01 in 2 LSB).

When the initialization latch is loaded, the following occurs:

1. The function latch contents are loaded.
2. An internal pulse resets the R, A, B, and timeout counters to load state conditions and three-states the charge pump. Note that the prescaler band gap reference and the oscillator input buffer are unaffected by the internal reset pulse, allowing close phase alignment when counting resumes.
3. Latching the first AB counter data after the initialization word will activate the same internal reset pulse. Successive AB loads will not trigger the internal reset pulse unless there is another initialization.

CE Pin Method

- Apply V_{DD} .
- Bring CE low to put the device into power-down. This is an asynchronous power-down (it happens immediately).
- Program the function latch (10).
- Program the R counter latch (00).
- Program the AB counter latch (01).
- Bring CE high to take the device out of power-down.

The R and AB counters will then resume counting in close alignment. Note that after CE goes high, a duration of 1 μ s may be required for the prescaler band gap voltage and oscillator input buffer bias to reach steady state.

CE can be used to power the device up and down to check for channel activity. The input register does not need to be reprogrammed each time the device is disabled and enabled as long as it has been programmed at least once after V_{DD} was initially applied.

Counter Reset Method

- Apply V_{DD} .
- Do a function latch load (10 in 2 LSB). As part of this, load 1 to the F1 bit. This enables the counter reset.
- Do an R counter load (00 in 2 LSB).
- Do an AB counter load (01 in 2 LSB).
- Do a function latch load (10 in 2 LSB). As part of this, load 0 to the F1 bit. This disables the counter reset.

This sequence provides the same close alignment as the initialization method. It offers direct control over the internal reset. Note that counter reset holds the counters at load point and three-states the charge pump but does not trigger synchronous power-down.

APPLICATION

Local Oscillator for LMDS Base Station Transmitter

Figure 7 shows the ADF4106 being used with a VCO to produce the LO for an LMDS base station operation in the 5.4 GHz to 5.8 GHz band.

The reference input signal is applied to the circuit at F_{REFIN} and, in this case, is terminated in 50 Ω . A typical base station system would have either a TCXO or an OCXO driving the reference input without any 50 Ω termination.

To have a channel spacing of 1 MHz at the output, the 10 MHz reference input must be divided by 10, using the on-chip reference divider of the ADF4106.

The charge pump output of the ADF4106 (Pin 2) drives the loop filter. In calculating the loop filter component values, a number of items need to be considered. In this example, the loop filter was designed so that the overall phase margin for the system would be 45 degrees. Other PLL system specifications are given below:

$$K_D = 2.5 \text{ mA}$$

$$K_V = 80 \text{ MHz/V}$$

$$\text{Loop Bandwidth} = 50 \text{ kHz}$$

$$F_{REF} = 1 \text{ MHz}$$

$$N = 5800$$

$$\text{Extra Reference Spur Attenuation} = 10 \text{ dB}$$

All of these specifications are needed and used to come up with the loop filter component values shown in Figure 7.

Figure 7 gives a typical phase noise performance of -83 dBc/Hz at 1 kHz offset from the carrier. Spurs are better than -62 dBc.

The loop filter output drives the VCO, which, in turn, is fed back to the RF input of the PLL synthesizer. It also drives the RF output terminal. A T-circuit configuration provides 50 Ω matching between the VCO output, the RF output, and the RF_{IN} terminal of the synthesizer. Note that the ADF4106 RF input looks like 50 Ω at 5.8 GHz, so no terminating resistor is needed. When operating at lower frequencies, however, this is not the case.

In a PLL system, it is important to know when the system is locked. In Figure 7, this is accomplished by using the MUXOUT signal from the synthesizer. The MUXOUT pin can be programmed to monitor various internal signals in the synthesizer. One of these is the LD or (lock detect) signal.

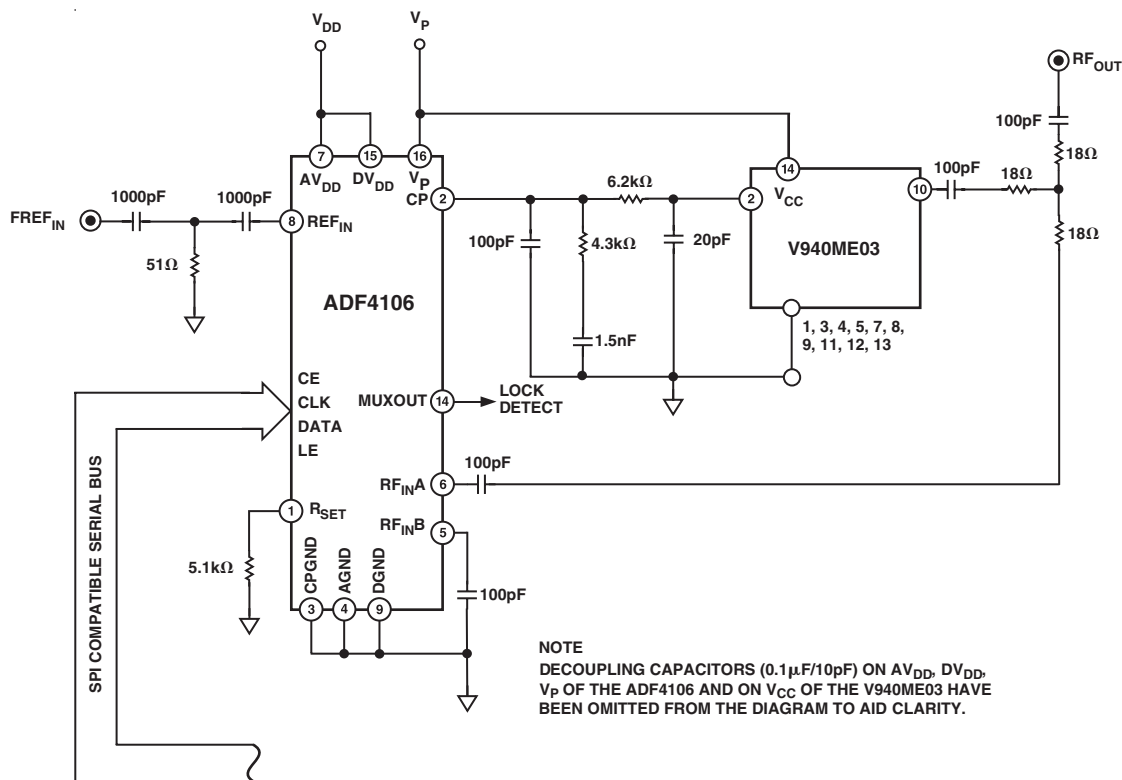


Figure 7. Local Oscillator for LMDS Station

INTERFACING

The ADF4106 has a simple SPI[®] compatible serial interface for writing to the device. CLK, DATA, and LE control the data transfer. When LE (latch enable) goes high, the 24 bits that have been clocked into the input register on each rising edge of SCLK get transferred to the appropriate latch. See Figure 1 for the timing diagram and Table I for the latch truth table.

The maximum allowable serial clock rate is 20 MHz. This means that the maximum update rate possible for the device is 833 kHz or one update every 1.2 μs. This is certainly more than adequate for systems that have typical lock times in hundreds of microseconds.

ADuC812 Interface

Figure 8 shows the interface between the ADF4106 and the ADuC812 MicroConverter[®]. Since the ADuC812 is based on an 8051 core, this interface can be used with any 8051 based microcontroller. The MicroConverter is set up for SPI master mode with CPHA = 0. To initiate the operation, the I/O port driving LE is brought low. Each latch of the ADF4106 needs a 24-bit word. This is accomplished by writing three 8-bit bytes from the MicroConverter to the device. When the third byte has been written, the LE input should be brought high to complete the transfer.

On first application of power to the ADF4106, three writes are needed (one to the R counter latch, one to the N counter latch, and one to the function latch) for the output to become active.

I/O port lines on the ADuC812 are also used to control power-down (CE input) and to detect lock (MUXOUT configured as lock detect and polled by the port input).

When operating in the mode described, the maximum SCLOCK rate of the ADuC812 is 4 MHz. This means that the maximum rate at which the output frequency can be changed is 166 kHz.

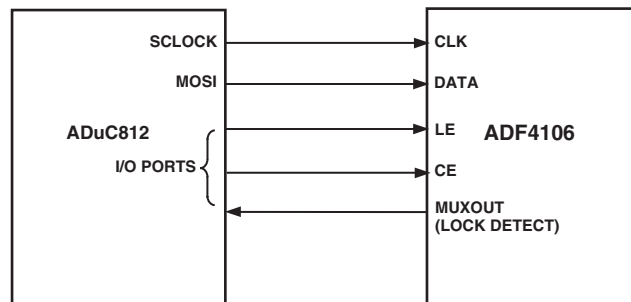


Figure 8. ADuC812 to ADF4106 Interface

ADF4106

ADSP-2181 Interface

Figure 9 shows the interface between the ADF4106 and the ADSP-21xx digital signal processor. The ADF4106 needs a 24-bit serial word for each latch write. The easiest way to accomplish this using the ADSP-21xx family is to use the autobuffered transmit mode of operation with alternate framing. This provides a means for transmitting an entire block of serial data before an interrupt is generated. Set up the word length for eight bits and use three memory locations for each 24-bit word. To program each 24-bit latch, store the three 8-bit bytes, enable the autobuffered mode, and then write to the transmit register of the DSP. This last operation initiates the autobuffer transfer.

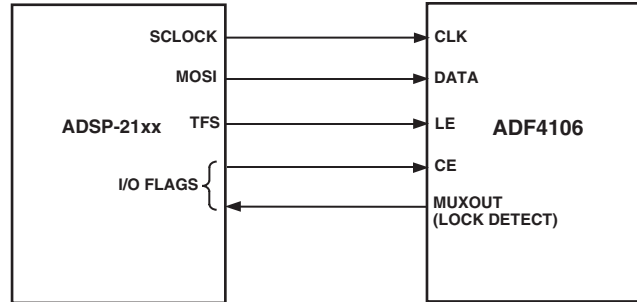
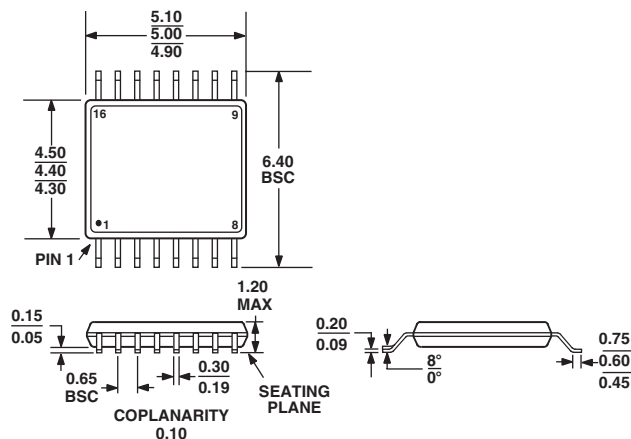


Figure 9. ADSP-21xx to ADF4106 Interface

OUTLINE DIMENSIONS

16-Lead Thin Shrink Small Outline Package [TSSOP]
(RU-16)

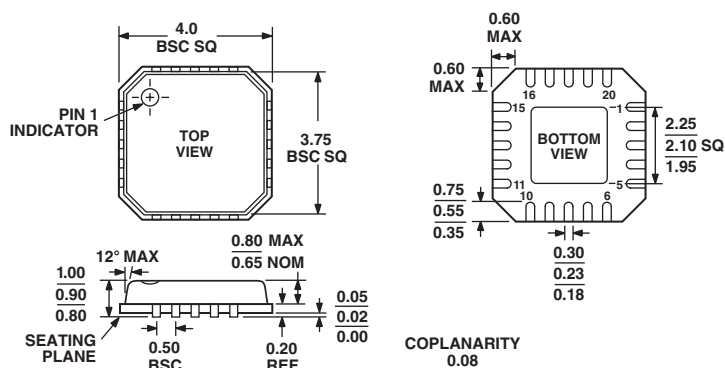
Dimensions shown in millimeters



COMPLIANT TO JEDEC STANDARDS MS-153AB

20-Lead Lead Frame Chip Scale Package [LFCSP]
(CP-20)

Dimensions shown in millimeters



COMPLIANT TO JEDEC STANDARDS MO-220-VGGD-1

ADF4106

Revision History

Location	Page
<hr/>	
5/03—Data Sheet changed from REV. 0 to REV. A.	
Edits to SPECIFICATIONS	2
Edits to TPC 11	7
Update OUTLINE DIMENSIONS	19

C02720-0-5/03(A)