

### FEATURES

#### Ultralow noise preamplifier

Voltage noise = 0.74 nV/ $\sqrt{\text{Hz}}$

Current noise = 2.5 pA/ $\sqrt{\text{Hz}}$

3 dB bandwidth: 120 MHz

Low power: 125 mW/channel

Wide gain range with programmable postamp

-4.5 dB to +43.5 dB

+7.5 dB to +55.5 dB

Low output-referred noise: 48 nV/ $\sqrt{\text{Hz}}$  typical

Active input impedance matching

Optimized for 10-/12-bit ADCs

Selectable output clamping level

Single 5 V supply operation

Available in space-saving chip scale package

### APPLICATIONS

Ultrasound and sonar time-gain control

High performance AGC systems

I/Q signal processing

High speed dual ADC driver

### GENERAL DESCRIPTION

The AD8332 is an ultralow noise, dual channel, linear-in-dB, variable gain amplifier (VGA). Although optimized for ultrasound systems, it may be used for a low noise variable gain control in any application of frequencies up to 120 MHz.

Each channel of the AD8332 consists of an ultralow noise preamplifier (LNA), an X-AMP<sup>®</sup> VGA with 48 dB of gain range, and a selectable gain postamplifier with adjustable output limiting. The LNA gain is 19 dB with a single-ended input and differential outputs capable of accurate, programmable active input impedance matching by selecting an external feedback resistor. Active impedance control optimizes noise performance for applications that benefit from input matching.

The 48 dB gain range of the VGA makes the AD8332 suitable for a variety of applications. Excellent bandwidth uniformity is maintained across the entire range. The gain control interface provides precise linear-in-dB scaling of 50 dB/V for control voltages between 40 mV and 1 V. Factory trim ensures excellent part-to-part and channel-to-channel gain matching. Differential signal paths lead to superb second and third order distortion performance and low crosstalk.

#### Rev. B

Information furnished by Analog Devices is believed to be accurate and reliable. However, no responsibility is assumed by Analog Devices for its use, nor for any infringements of patents or other rights of third parties that may result from its use. Specifications subject to change without notice. No license is granted by implication or otherwise under any patent or patent rights of Analog Devices. Trademarks and registered trademarks are the property of their respective companies.

### FUNCTIONAL BLOCK DIAGRAM

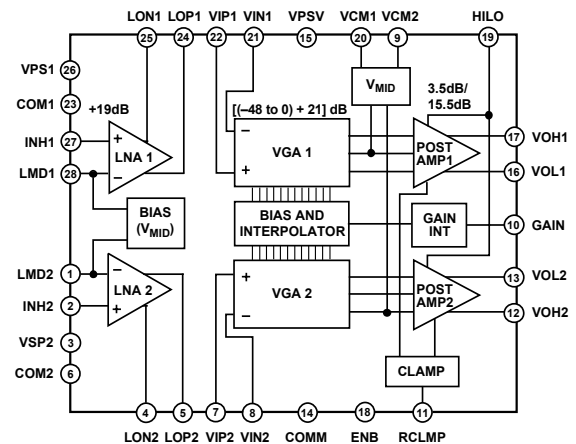


Figure 1. 28-Lead TSSOP

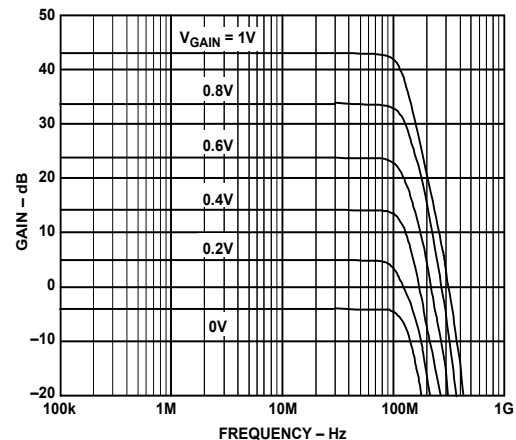


Figure 2. Frequency Response vs. Gain

The VGA's low output-referred noise is advantageous in driving high speed differential ADCs. The gain of the postamplifier may be pin selected to 3.5 dB or 15.5 dB to optimize gain range and output noise for 12-bit or 10-bit converter applications. The output may be limited to a user-selected clamping level, preventing input overload to a subsequent ADC. An external resistor adjusts the clamping level.

The AD8332 is available in 28-lead TSSOP and 32-lead LFCSP packages and operates from a single 5 V supply. The total quiescent power consumption is 250 mW and a power-down pin is provided. The operating temperature range is -40°C to +85°C.

## TABLE OF CONTENTS

AD8332—Specifications.....	3	VGA .....	22
Absolute Maximum Ratings.....	6	Driving ADCs .....	23
AD8332—Typical Performance Characteristics.....	7	Overload .....	23
Test Circuits.....	15	Layout, Grounding, And Bypassing .....	24
Theory of Operation .....	16	Multiple Input Matching .....	24
Overview.....	16	Measurement Considerations.....	25
Low Noise Amplifier (LNA).....	16	Ultrasound TGC Application .....	25
Variable Gain Amplifier.....	18	Pin Function Descriptions .....	29
Postamplifier .....	20	Pin Configurations .....	30
Applications.....	21	Outline Dimensions .....	31
LNA .....	21	Ordering Guide .....	32

## REVISION HISTORY

### Revision B

5/03—Data Sheet Changed from REV. A to REV. B

Edits to Ordering Guide .....32

Edits to Ultrasound TGC Application section ..... 25

Added Figure 71, Figure 72, and Figure 73.....26

Updated Outline Dimensions .....31

2/03—Data Sheet Changed from REV. 0 to REV. A

Edits to Ordering Guide .....32

## AD8332—SPECIFICATIONS

**Table 1.**  $T_A = 25^\circ\text{C}$ ,  $V_S = 5\text{ V}$ ,  $R_L = 500\ \Omega$ ,  $R_S = R_{IN} = 50\ \Omega$ ,  $R_{FB} = 280\ \Omega$ ,  $C_{SH} = 22\ \text{pF}$ ,  $f = 10\ \text{MHz}$ ,  $R_{CLMP} = \infty$ ,  $C_L = 1\ \text{pF}$ ,  $V_{CM} = 2.5\ \text{V}$ ,  $-4.5\ \text{dB}$  to  $+43.5\ \text{dB}$  gain (HILO = LO), and differential output voltage, unless otherwise specified.

Parameter	Conditions	Min	Typ	Max	Unit
<b>LNA CHARACTERISTICS</b>					
Gain	Single-Ended Input to Differential Output		19		dB
	Input to Output (Single-Ended)		13		dB
Input Voltage Range	AC-Coupled		$\pm 275$		mV
Input Resistance	$R_{FB} = 280\ \Omega$		50		$\Omega$
	$R_{FB} = 412\ \Omega$		75		$\Omega$
	$R_{FB} = 562\ \Omega$		100		$\Omega$
	$R_{FB} = 1.13\ \text{k}\Omega$		200		$\Omega$
	$R_{FB} = \infty$		6		k $\Omega$
Input Capacitance			13		pF
Output Impedance	Single-Ended, Either Output		5		$\Omega$
-3 dB Small Signal Bandwidth	$V_{OUT} = 0.2\ \text{V p-p}$		130		MHz
Slew Rate			650		V/ $\mu\text{s}$
Input Voltage Noise	$R_S = 0\ \Omega$ , HI or LO Gain, $R_{FB} = \infty$ , $f = 5\ \text{MHz}$		0.74		nV/ $\sqrt{\text{Hz}}$
Input Current Noise	$R_{FB} = \infty$ , HI or LO Gain, $f = 5\ \text{MHz}$		2.5		pA/ $\sqrt{\text{Hz}}$
Noise Figure	$f = 10\ \text{MHz}$ , LOP Output				
Active Termination Match	$R_S = R_{IN} = 50\ \Omega$		3.7		dB
Unterminated	$R_S = 50\ \Omega$ , $R_{FB} = \infty$		2.5		dB
Harmonic Distortion @ LOP1 or LOP2					
HD2	$V_{OUT} = 0.5\ \text{V p-p}$ , Single-Ended, $f = 10\ \text{MHz}$		-56		dBc
HD3			-70		dBc
Output Short-Circuit Current	Pins LON, LOP		165		mA
<b>LNA + VGA CHARACTERISTICS</b>					
-3 dB Small Signal Bandwidth	$V_{OUT} = 0.2\ \text{V p-p}$		120		MHz
-3 dB Large Signal Bandwidth	$V_{OUT} = 2\ \text{V p-p}$		110		MHz
Slew Rate	LO Gain		300		V/ $\mu\text{s}$
	HI Gain		1200		V/ $\mu\text{s}$
Input Voltage Noise	$R_S = 0\ \Omega$ , HI or LO Gain, $R_{FB} = \infty$ , $f = 5\ \text{MHz}$		0.82		nV/ $\sqrt{\text{Hz}}$
Noise Figure	$V_{GAIN} = 1.0\ \text{V}$				
Active Termination Match	$R_S = R_{IN} = 50\ \Omega$ , $f = 10\ \text{MHz}$ , Measured		4.15		dB
	$R_S = R_{IN} = 200\ \Omega$ , $f = 5\ \text{MHz}$ , Simulated		2.0		dB
Unterminated	$R_S = 50\ \Omega$ , $R_{FB} = \infty$ , $f = 10\ \text{MHz}$ , Measured		2.5		dB
	$R_S = 200\ \Omega$ , $R_{FB} = \infty$ , $f = 5\ \text{MHz}$ , Simulated		1.0		dB
Output-Referred Noise	$V_{GAIN} = 0.5\ \text{V}$ , LO Gain		48		nV/ $\sqrt{\text{Hz}}$
	$V_{GAIN} = 0.5\ \text{V}$ , HI Gain		178		nV/ $\sqrt{\text{Hz}}$
Output Impedance, Postamplifier	DC to 1 MHz		1		$\Omega$
Output Signal Range, Postamplifier	$R_L \geq 500\ \Omega$ , Unclamped, Either Pin		$V_{CM} \pm 1.125$		V
Differential			4.5		V p-p
Output Offset Voltage					
Differential	$V_{CM} = 2.5\ \text{V}$ , $V_{GAIN} = 0.5\ \text{V}$	-50	$\pm 5$	+50	mV
Common-Mode		-125	-25	+75	mV
Output Short-Circuit Current			45		mA

# AD8332

Parameter	Conditions	Min	Typ	Max	Unit
Harmonic Distortion	$V_{GAIN} = 0.5\text{ V}$ , $V_{OUT} = 1\text{ V p-p}$				
HD2	$f = 1\text{ MHz}$		-88		dBc
HD3			-85		dBc
HD2	$f = 10\text{ MHz}$		-68		dBc
HD3			-65		dBc
Input 1 dB Compression Point	$V_{GAIN} = 0.25\text{ V}$ , $V_{OUT} = 1\text{ V p-p}$ , $f = 1\text{ MHz} - 10\text{ MHz}$		7		dBm <sup>1</sup>
Two-Tone Intermodulation Distortion (IMD3)	$V_{GAIN} = 0.72\text{ V}$ , $V_{OUT} = 1\text{ V p-p}$ , $f = 1\text{ MHz}$		-80		dBc
	$V_{GAIN} = 0.5\text{ V}$ , $V_{OUT} = 1\text{ V p-p}$ , $f = 10\text{ MHz}$		-72		dBc
Output Third Order Intercept	$V_{GAIN} = 0.5\text{ V}$ , $V_{OUT} = 1\text{ V p-p}$ , $f = 1\text{ MHz}$		38		dBm
	$V_{GAIN} = 0.5\text{ V}$ , $V_{OUT} = 1\text{ V p-p}$ , $f = 10\text{ MHz}$		33		dBm
Channel-to-Channel Crosstalk	$V_{GAIN} = 0.5\text{ V}$ , $V_{OUT} = 1\text{ V p-p}$ , $f = 1\text{ MHz}$		-84		dB
Overload Recovery	$V_{GAIN} = 1.0\text{ V}$ , $V_{IN} = 50\text{ mV p-p}/1\text{ V p-p}$ , $f = 10\text{ MHz}$		5		ns
Group Delay Variation	$5\text{ MHz} < f < 50\text{ MHz}$ , Full Gain Range		$\pm 2$		ns
<b>ACCURACY</b>					
Absolute Gain Error <sup>2</sup>	$0.05\text{ V} < V_{GAIN} < 0.10\text{ V}$	-10	0.5	+2	dB
	$0.10\text{ V} < V_{GAIN} < 0.95\text{ V}$	-1	$\pm 0.3$	+1	dB
	$0.95\text{ V} < V_{GAIN} < 1.0\text{ V}$	-2	-1	+1	dB
Gain Law Conformance <sup>3</sup>	$0.1\text{ V} < V_{GAIN} < 0.95\text{ V}$		$\pm 0.2$		dB
Channel-to-Channel Gain Matching	$0.1\text{ V} < V_{GAIN} < 0.95\text{ V}$		$\pm 0.1$		dB
<b>GAIN CONTROL INTERFACE (Pin GAIN)</b>					
Gain Scaling Factor	$0.10\text{ V} < V_{GAIN} < 0.95\text{ V}$		50		dB/V
Gain Range	LO Gain		-4.5 to +43.5		dB
	HI Gain		+7.5 to +55.5		dB
Input Voltage ( $V_{GAIN}$ ) Range			0 to 1.0		V
Input Impedance			10		M $\Omega$
Response Time	48 dB Gain Change to 90% Full Scale		750		ns
<b>COMMON-MODE INTERFACE (Pin VCM1, VCM2)</b>					
Input Resistance	Current Limited to $\pm 1\text{ mA}$		30		$\Omega$
Output CM Offset Voltage	$V_{CM} = 2.5\text{ V}$	-125	-25	+75	mV
Voltage Range	$V_{OUT} = 2.0\text{ V p-p}$		1.5 to 3.5		V

<sup>1</sup> All dBm values are referred to 50  $\Omega$ , unless otherwise noted.

<sup>2</sup> Conformance to theoretical gain expression (see Equation 1).

<sup>3</sup> Conformance to best fit dB linear curve.

Parameter	Conditions	Min	Typ	Max	Unit
ENABLE INTERFACE (AR Package: Pin ENB; AC Package: Pins ENBL, ENBV)					
Logic Level to Enable Power		2.25		5	V
Logic Level to Disable Power		0		1.0	V
Input Resistance	Pin ENB		25		k $\Omega$
	Pin ENBL		40		k $\Omega$
	Pin ENBV		70		k $\Omega$
Power-Up Response Time	$V_{INH} = 30$ mV p-p		300		$\mu$ s
	$V_{INH} = 150$ mV p-p		4		ms
HILO GAIN RANGE INTERFACE (Pin HILO)					
Logic Level to Select HI Gain Range		2.25		5	V
Logic Level to Select LO Gain Range		0		1.0	V
Input Resistance			50		k $\Omega$
OUTPUT CLAMP INTERFACE (Pin RCLMP; HI or LO Gain)					
Accuracy					
HILO = LO	$R_{CLMP} = 2.74$ k $\Omega$ , $V_{OUT} = 1$ V p-p (Clamped)		$\pm 50$		mV
HILO = HI	$R_{CLMP} = 2.21$ k $\Omega$ , $V_{OUT} = 1$ V p-p (Clamped)		$\pm 75$		mV
MODE INTERFACE (Pin MODE, AC Package Only)					
Logic Level for Positive Gain Slope		2.25		5	V
Logic Level for Negative Gain Slope		0		1.0	V
Input Resistance			200		k $\Omega$
POWER SUPPLY (Pins VPS1, VPS2, VPSV)					
Supply Voltage		4.5	5.0	5.5	V
Quiescent Current per Channel			25		mA
Power Dissipation	Both Channels Active, No Signal		250		mW
Disable Current			300	600	$\mu$ A
PSRR	$V_{GAIN} = 0$ , $f = 100$ kHz		-68		dB

# AD8332

## ABSOLUTE MAXIMUM RATINGS

**Table 2. Absolute Maximum Ratings for the AD8332**

Parameter	Rating
Voltage	
Supply Voltage (VPS1, VPS2, VPSV)	5.5 V
Input Voltage (INH1, INH2)	$V_S + 200 \text{ mV}$
ENB, ENBL, ENBV, HILO Voltage	$V_S + 200 \text{ mV}$
GAIN Voltage	2.5 V
Power Dissipation	
AR Package <sup>1</sup>	0.96 W
AC Package	1.97 W
Temperature	
Operating Temperature	-40°C to +85°C
Storage Temperature	-65°C to +150°C
Lead Temperature (Soldering 60 sec)	300°C
$\theta_{JA}$	
AR Package <sup>1</sup>	68°C/W
AC Package <sup>2</sup>	33°C/W

Stresses above those listed under the Absolute Maximum Ratings may cause permanent damage to the device. This is a stress rating only; functional operation of the device at these or any other conditions above those indicated in the operational section of this specification is not implied. Exposure to absolute maximum rating conditions for extended periods may affect device reliability.

<sup>1</sup> Four-Layer JEDEC Board (2S2P).

<sup>2</sup> Exposed pad soldered to board, nine thermal vias in pad — JEDEC4-Layer Board J-STD-51-9.

## AD8332—TYPICAL PERFORMANCE CHARACTERISTICS

Table 3.  $T_A = 25^\circ\text{C}$ ,  $V_S = 5\text{ V}$ ,  $R_L = 500\ \Omega$ ,  $R_S = R_{IN} = 50\ \Omega$ ,  $R_{FB} = 280\ \Omega$ ,  $C_{SH} = 22\ \text{pF}$ ,  $f = 10\ \text{MHz}$ ,  $R_{CLMP} = \infty$ ,  $C_L = 1\ \text{pF}$ ,  $V_{CM} = 2.5\ \text{V}$ ,  $-4.5\ \text{dB}$  to  $+43.5\ \text{dB}$  gain (HILO = LO), and differential signal voltage, unless otherwise specified.

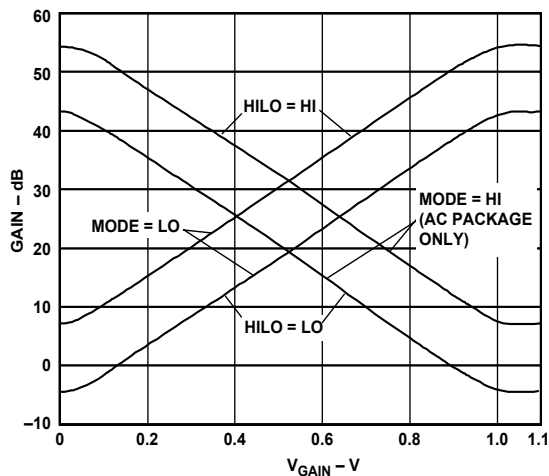


Figure 3. Gain vs.  $V_{GAIN}$  and MODE (MODE Available on AC Package)

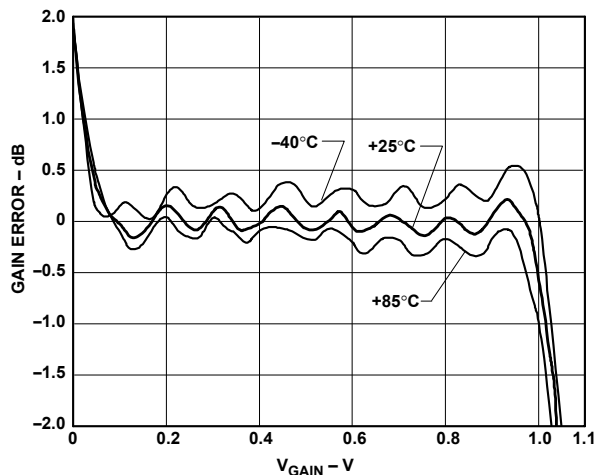


Figure 4. Absolute Gain Error vs.  $V_{GAIN}$  at Three Temperatures

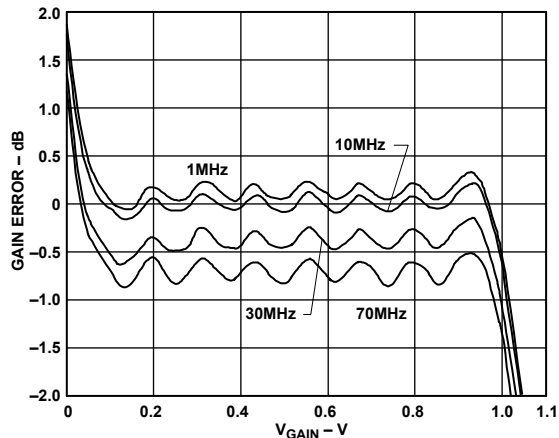


Figure 5. Absolute Gain Error vs.  $V_{GAIN}$  at Various Frequencies

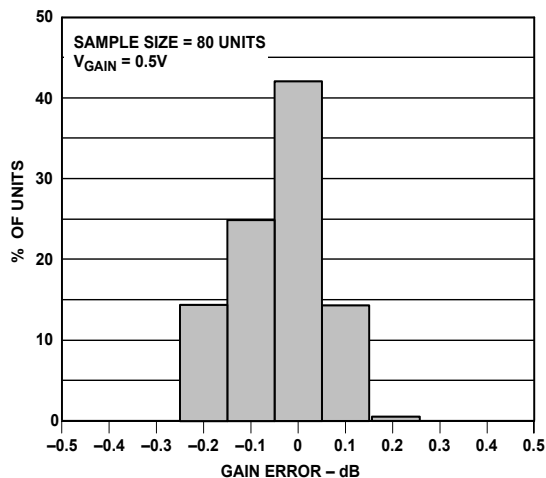


Figure 6. Gain Error Histogram

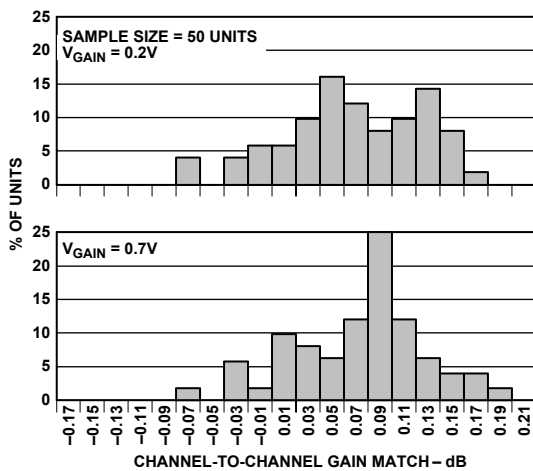


Figure 7. Gain Match Histogram for  $V_{GAIN} = 0.2\ \text{V}$  and  $0.7\ \text{V}$

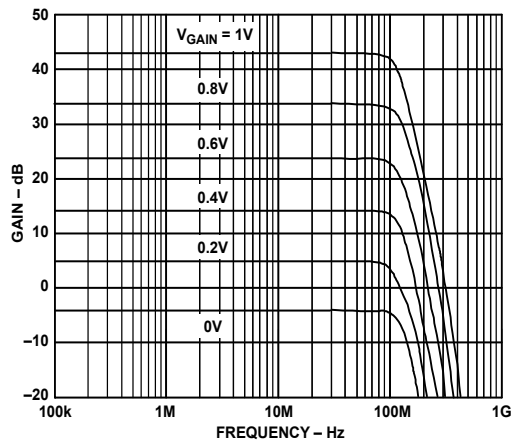


Figure 8. Frequency Response for Various Values of  $V_{GAIN}$

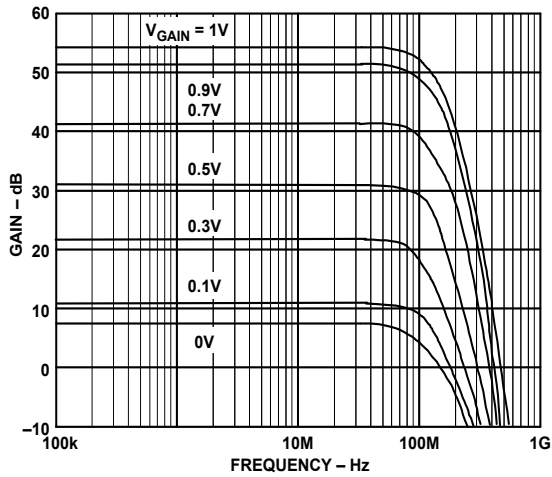


Figure 9. Frequency Response for Various Values of  $V_{GAIN}$ , HILO = HI

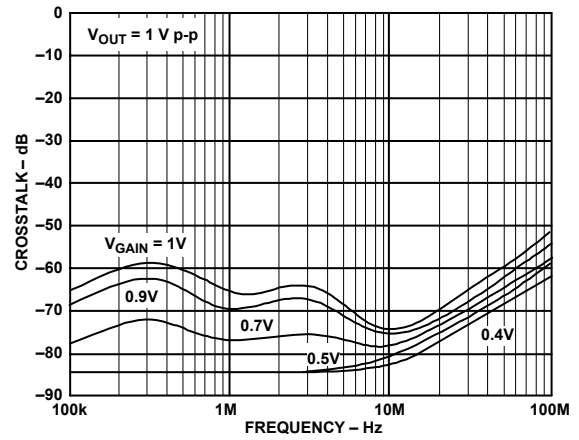


Figure 12. Channel-to-Channel Crosstalk vs. Frequency for Various Values of  $V_{GAIN}$

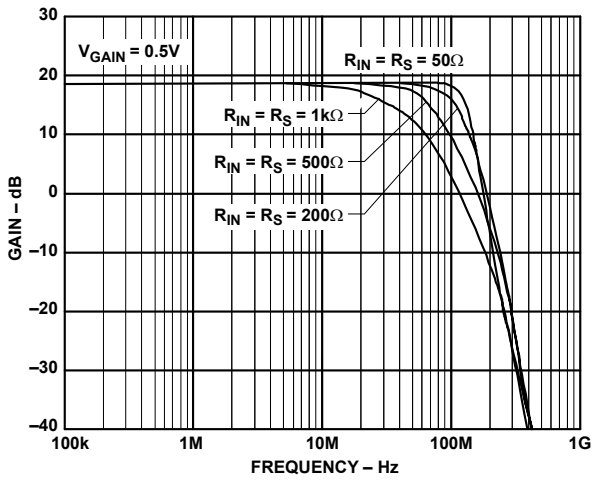


Figure 10. Frequency Response for Various Matched Source Impedances

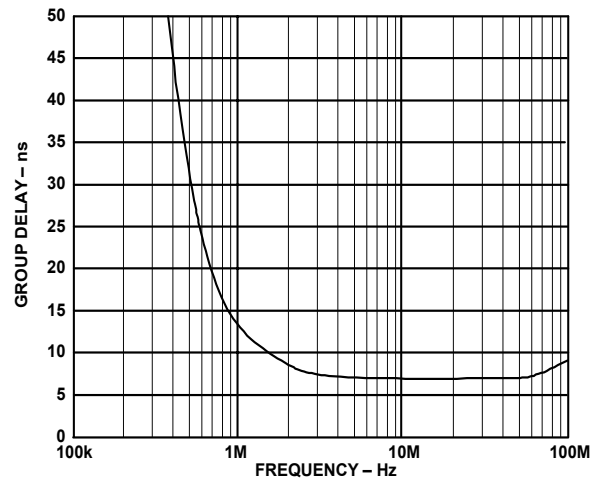


Figure 13. Group Delay vs. Frequency

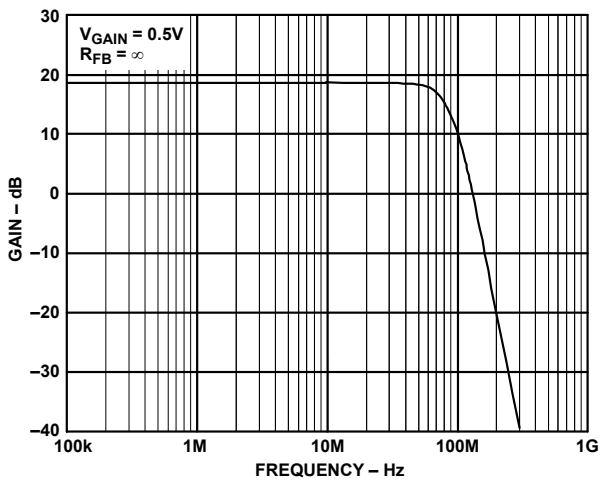


Figure 11. Frequency Response, Underterminated,  $R_S = 50\Omega$

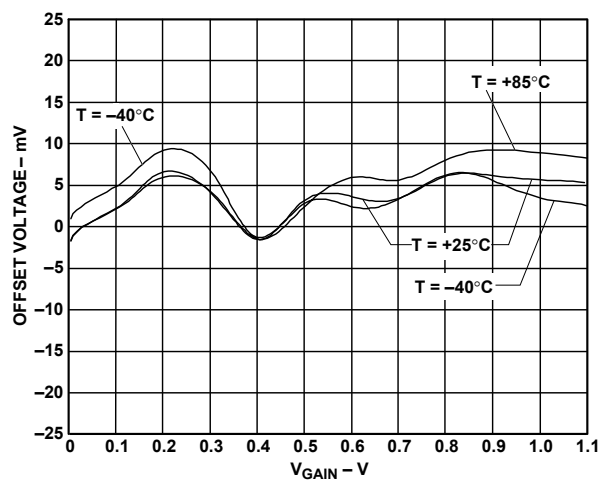


Figure 14. Differential Output Offset Voltage vs.  $V_{GAIN}$  at Three Temperatures



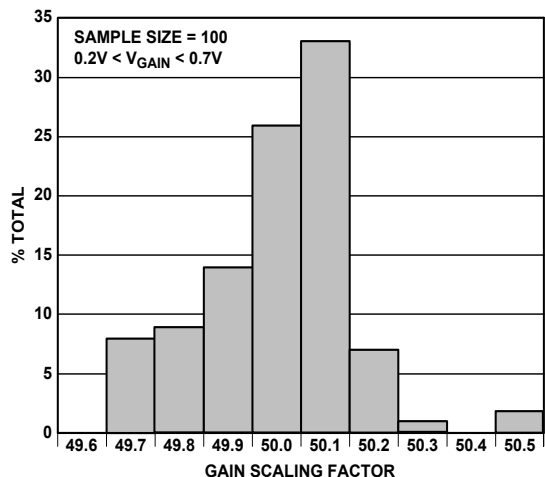


Figure 15. Gain Scaling Factor Histogram

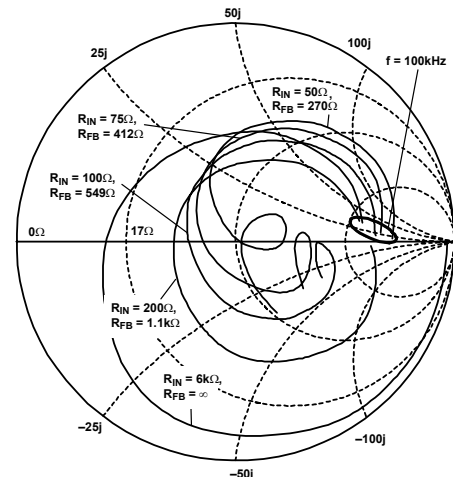


Figure 18. Smith Chart, S11 vs. Frequency, 0.1 MHz to 200 MHz for Various Values of R<sub>FB</sub>

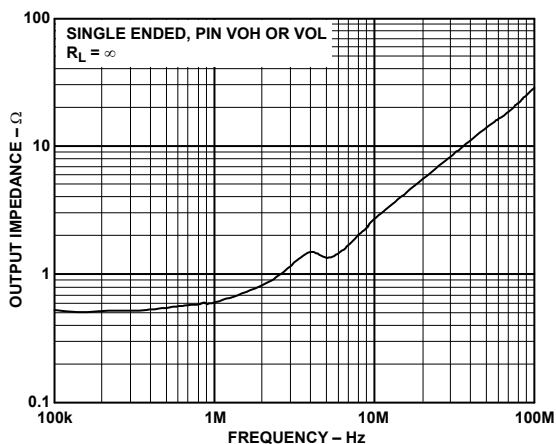


Figure 16. Output Impedance vs. Frequency

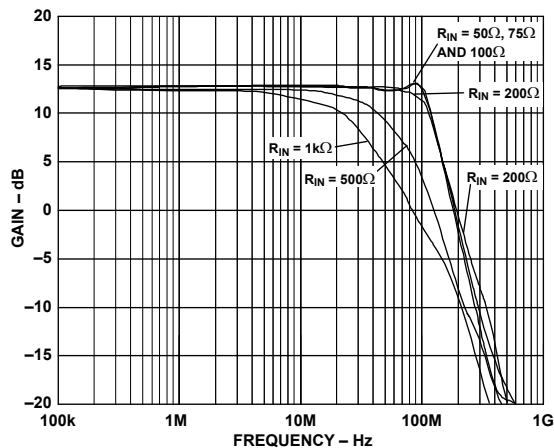


Figure 19. LNA Frequency Response, Single-Ended, for Various Values of R<sub>IN</sub>

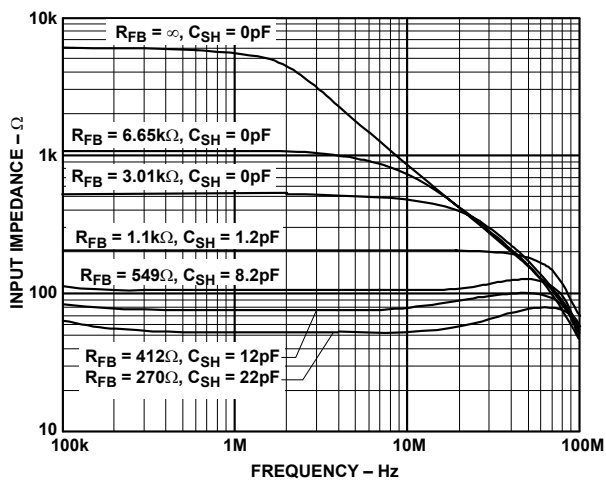


Figure 17. LNA Input Impedance vs. Frequency for Various Values of R<sub>FB</sub> and C<sub>SH</sub>

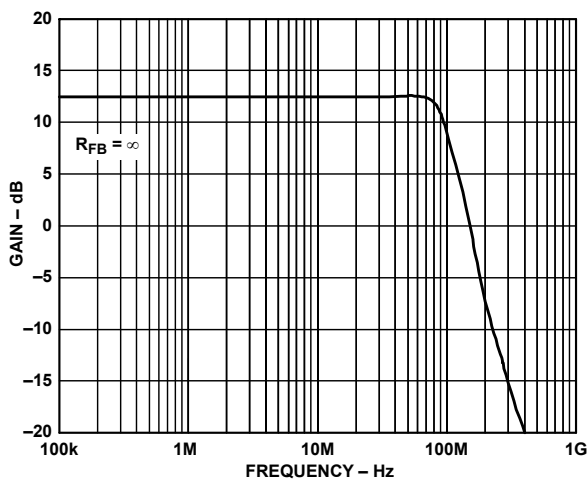


Figure 20. LNA Frequency Response, Underterminated, Single-Ended

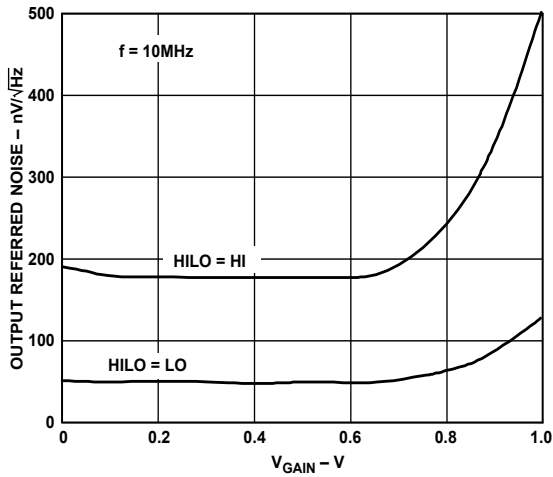


Figure 21. Output-Referred Noise vs.  $V_{GAIN}$

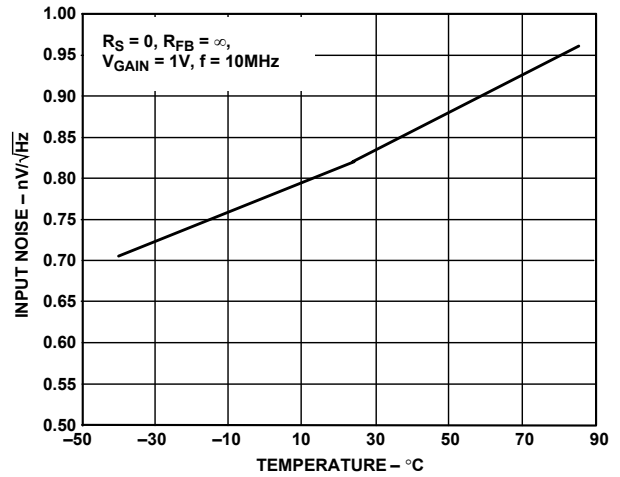


Figure 24. Short-Circuit Input-Referred Noise vs. Temperature

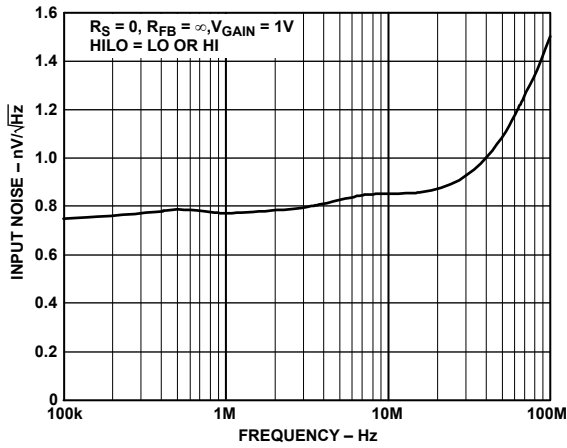


Figure 22. Short-Circuit Input-Referred Noise vs. Frequency

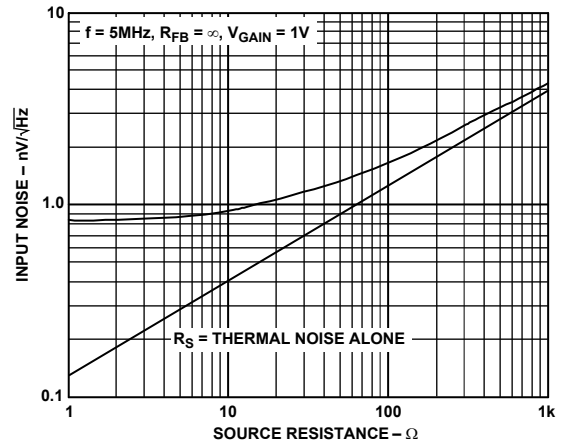


Figure 25. Input-Referred Noise vs.  $R_S$

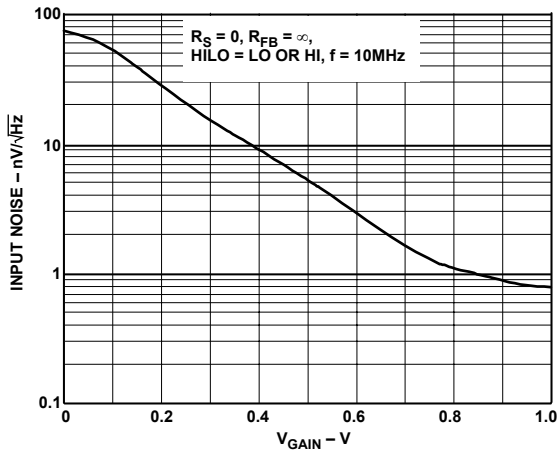


Figure 23. Short-Circuit Input-Referred Noise vs.  $V_{GAIN}$

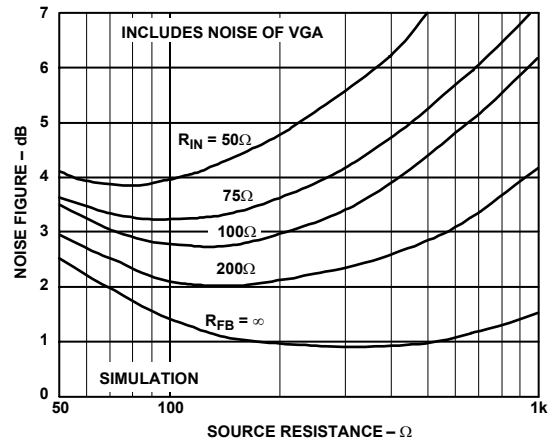


Figure 26. Noise Figure vs.  $R_S$  for Various Values of  $R_{IN}$

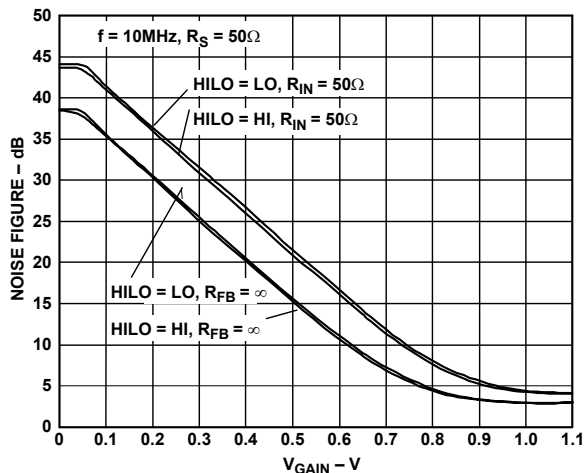


Figure 27. Noise Figure vs.  $V_{GAIN}$

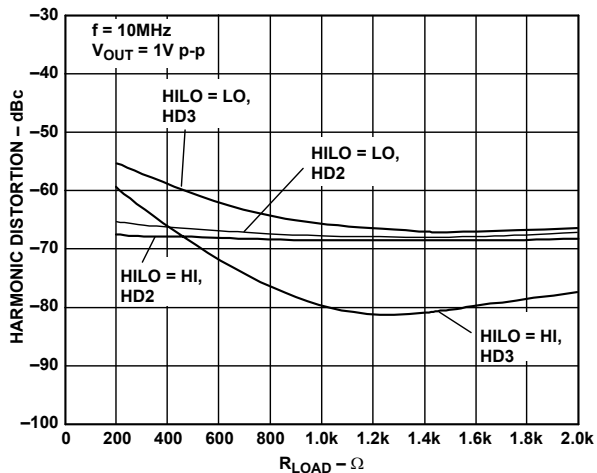


Figure 30. Harmonic Distortion vs.  $R_{LOAD}$

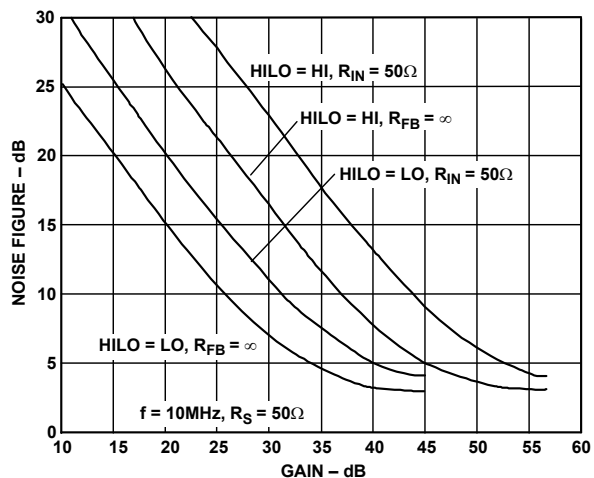


Figure 28. Noise Figure vs. Gain

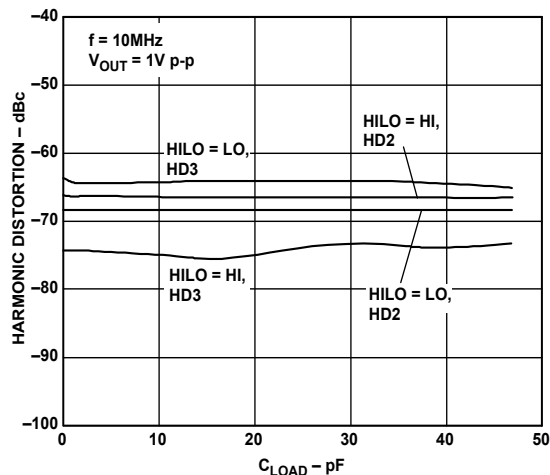


Figure 31. Harmonic Distortion vs.  $C_{LOAD}$

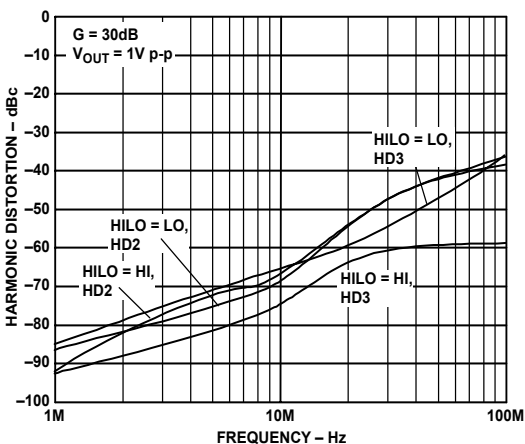


Figure 29. Harmonic Distortion vs. Frequency

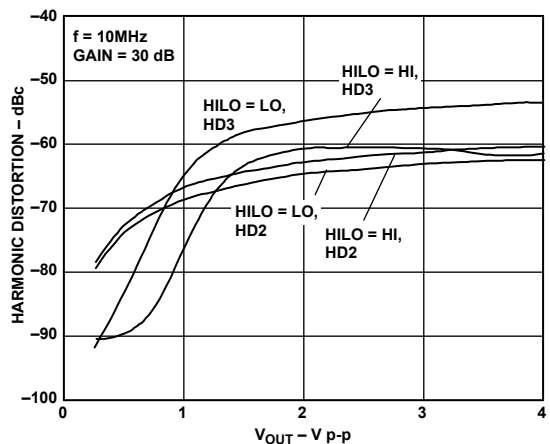


Figure 32. Harmonic Distortion vs. Differential Output Voltage

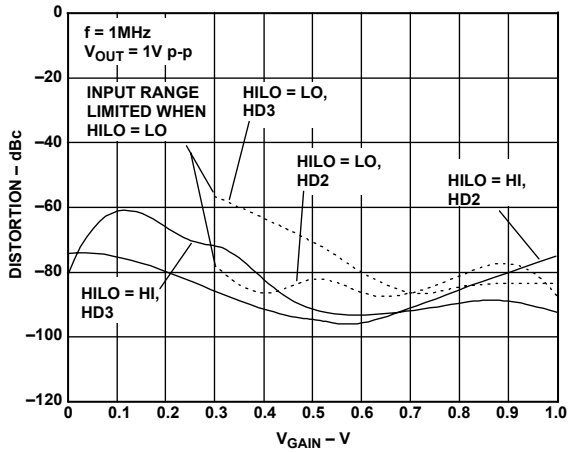


Figure 33. Harmonic Distortion vs.  $V_{GAIN}$ ,  $f = 1$  MHz

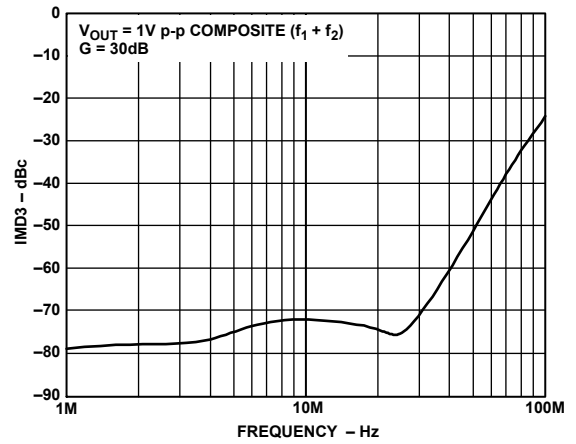


Figure 36. IMD3 vs. Frequency

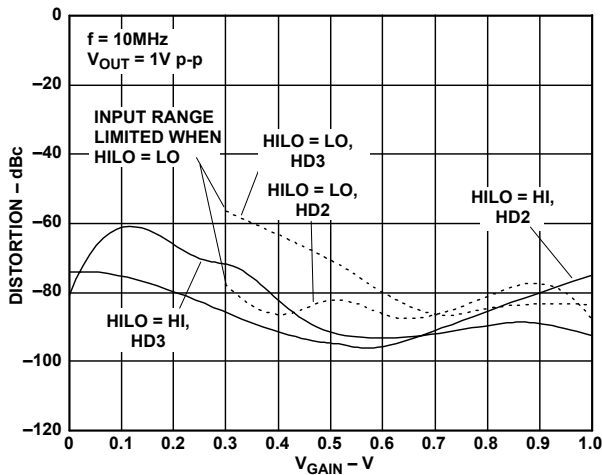


Figure 34. Harmonic Distortion vs.  $V_{GAIN}$ ,  $f = 10$  MHz

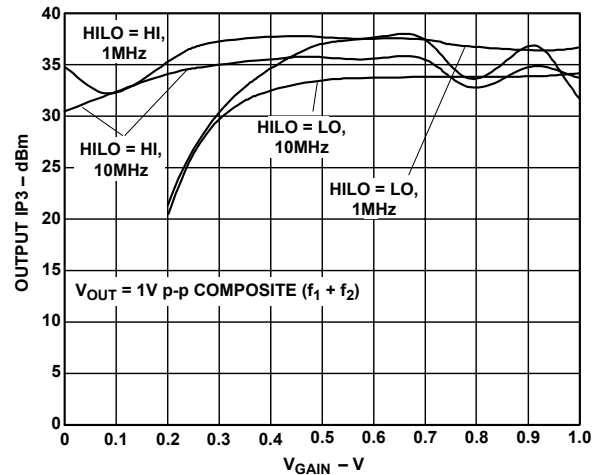


Figure 37. Output Third Order Intercept vs.  $V_{GAIN}$

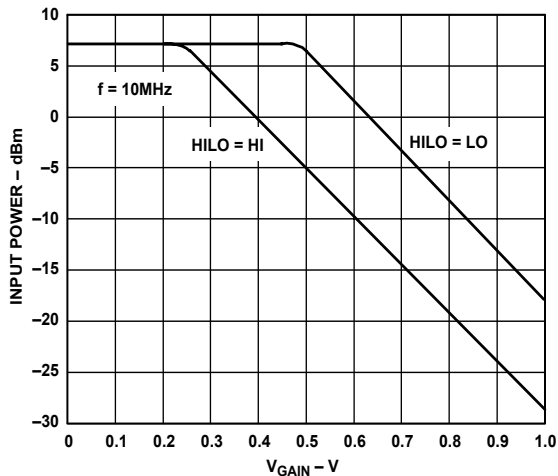


Figure 35. Input 1 dB Compression vs.  $V_{GAIN}$

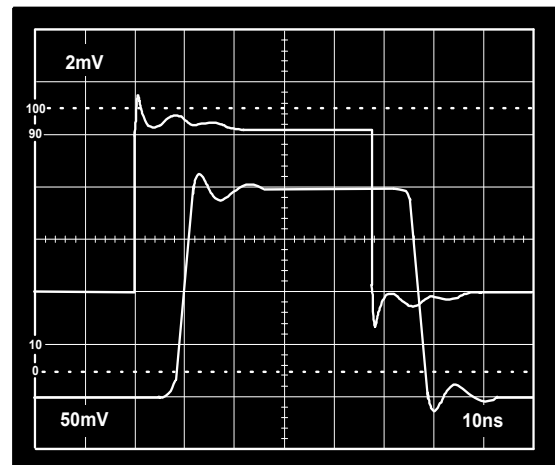


Figure 38. Small Signal Pulse Response,  $G = 30$  dB, Top: Input, Bottom: Output Voltage, HILO = HI or LO

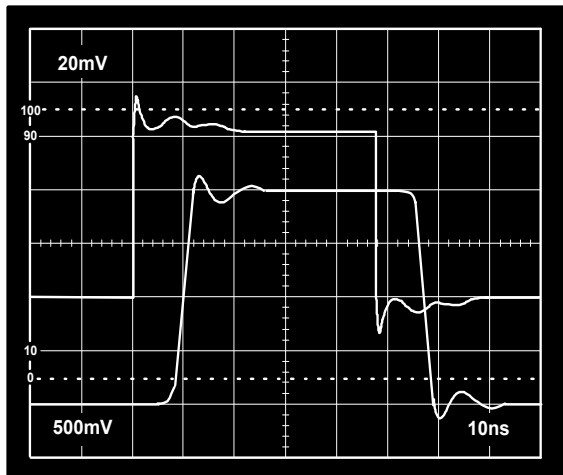


Figure 39. Large Signal Pulse Response,  $G = 30$  dB, HILO = HI or LO, Top: Input, Bottom: Output Voltage

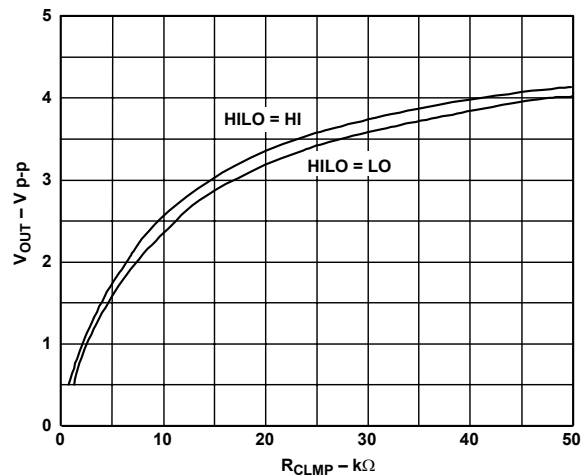


Figure 42. Clamp Level vs.  $R_{CLMP}$

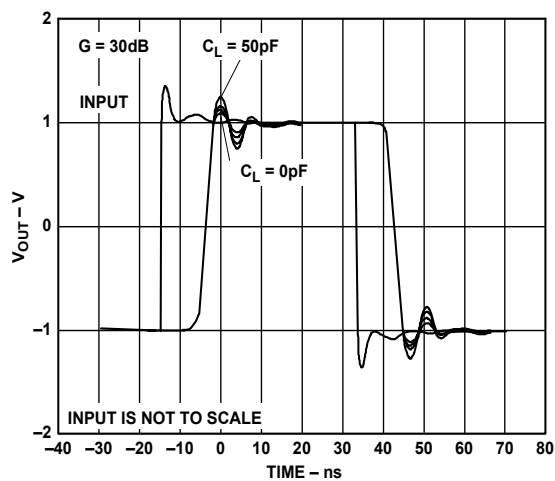


Figure 40. Large Signal Pulse Response for Various Capacitive Loads,  $C_L = 0$  pF, 10 pF, 20 pF, 50 pF

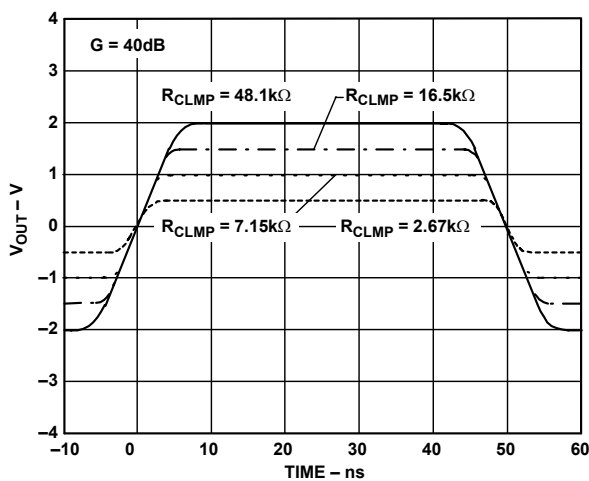


Figure 43. Clamp Level Pulse Response

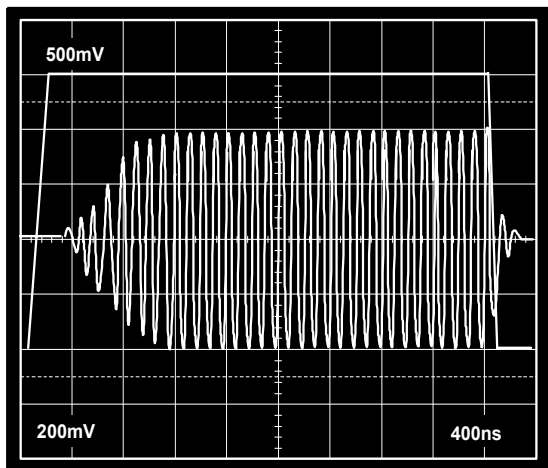


Figure 41. Pin GAIN Transient Response, Top:  $V_{GAIN}$ , Bottom: Output Voltage

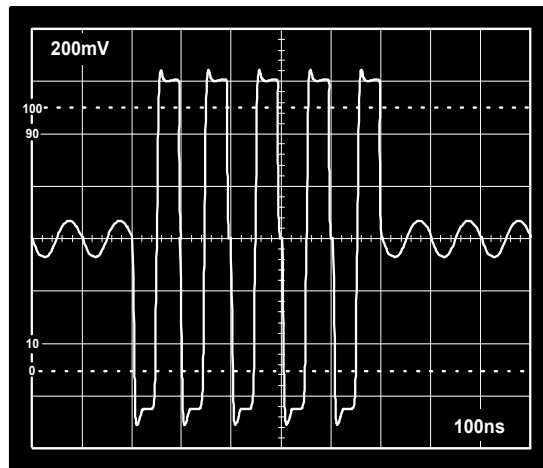


Figure 44. LNA Overdrive Recovery,  $V_{INH} 0.05$  V p-p to 1 V p-p Burst,  $V_{GAIN} = 0.27$  V, VGA Output Shown

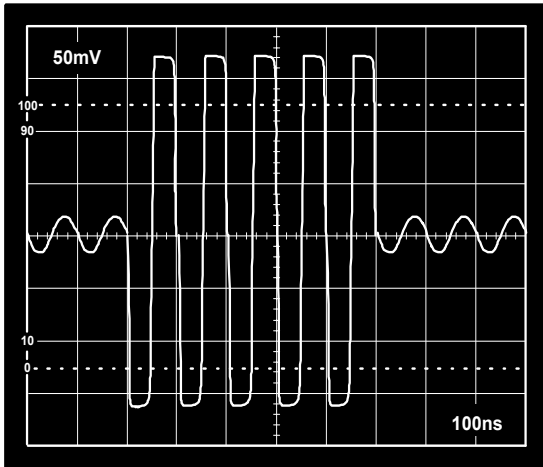


Figure 45. VGA Overdrive Recovery,  $V_{INH}$  4 mV p-p to 70 mV p-p Burst,  $V_{GAIN} = 1$  V, VGA Output Shown Attenuated 24 dB

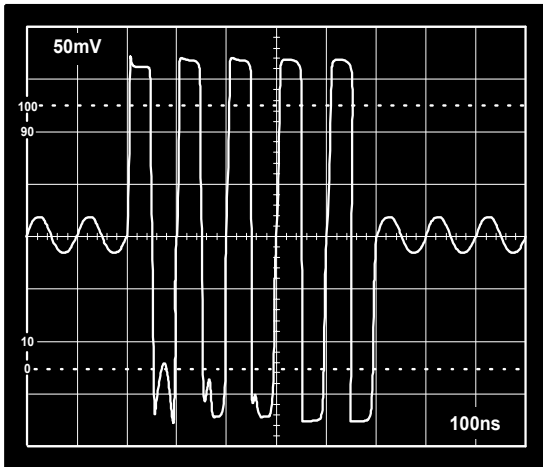


Figure 46. VGA Overdrive Recovery,  $V_{INH}$  4 mV p-p to 275 mV p-p Burst,  $V_{GAIN} = 1$  V, VGA Output Shown Attenuated 24 dB

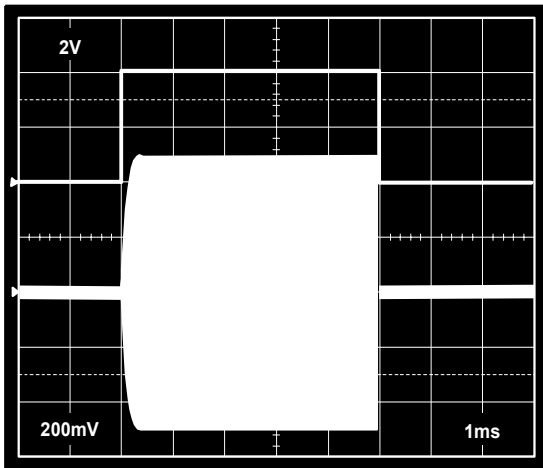


Figure 47. Enable Response, Top:  $V_{ENB}$ , Bottom:  $V_{OUT}$ ,  $V_{INH} = 30$  mV p-p

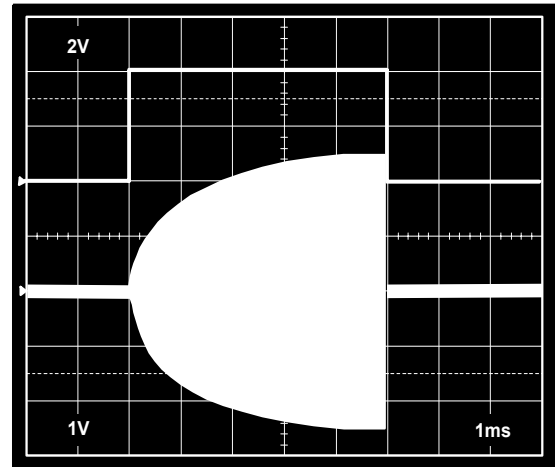


Figure 48. Enable Response, Large Signal, Top:  $V_{ENB}$ , Bottom:  $V_{OUT}$ ,  $V_{INH} = 150$  mV p-p

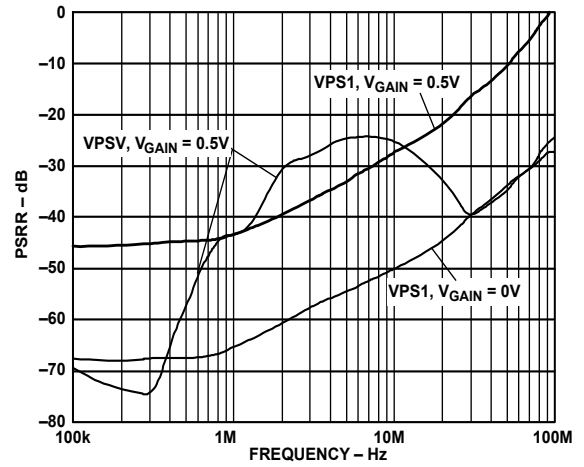


Figure 49. PSRR vs. Frequency (No Bypass Capacitor)

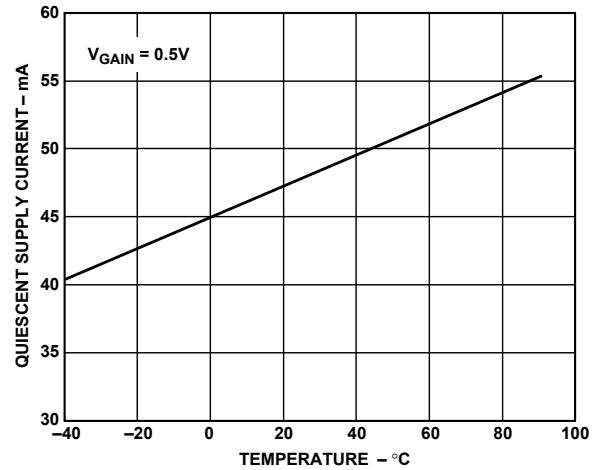
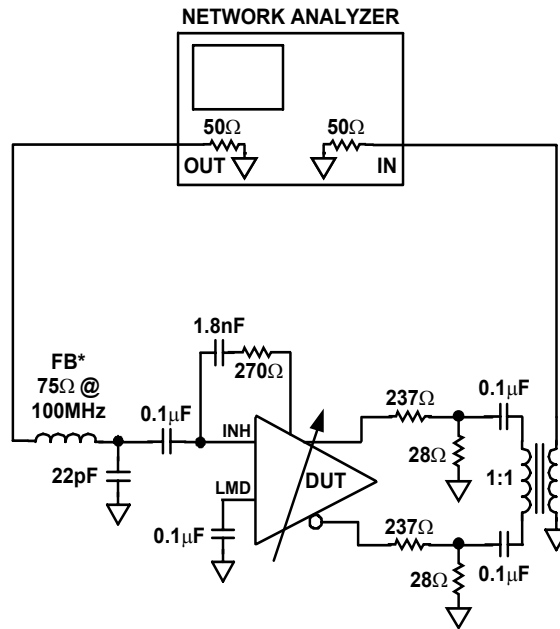


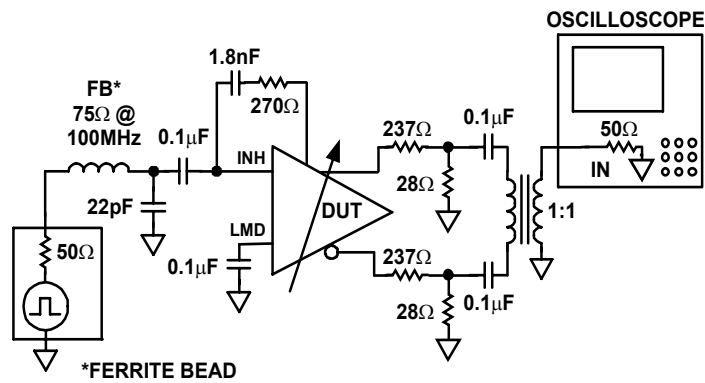
Figure 50. Quiescent Supply Current vs. Temperature

TEST CIRCUITS



\*FERRITE BEAD

Figure 51. Used for Gain and Bandwidth Measurements



\*FERRITE BEAD

Figure 52. Used for Transient Measurements

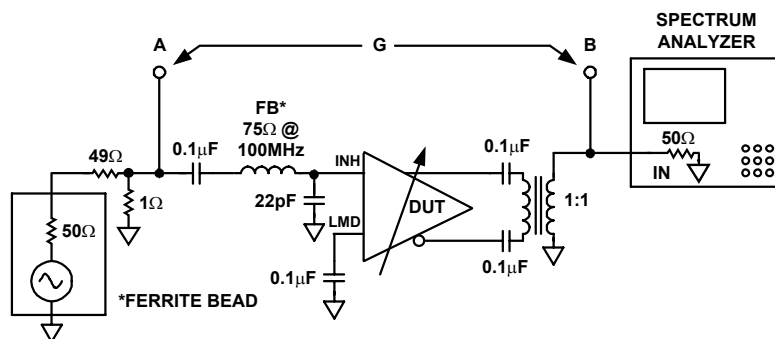


Figure 53. Used for Noise Measurements

## THEORY OF OPERATION

### Overview

The AD8332 is a dual-channel VGA. Each channel contains an LNA that provides user-adjustable input impedance termination, a differential X-AMP VGA, and a programmable gain postamplifier with adjustable output voltage limiting. Figure 54 shows a simplified block diagram.

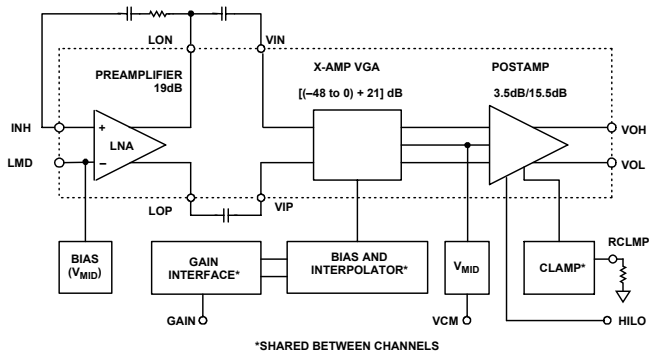


Figure 54. Simplified Block Diagram

The linear-in-dB gain control interface is trimmed for slope and absolute accuracy. The overall gain range of the AD8332 is 48 dB, extending from -4.5 dB to +43.5 dB or +7.5 dB to +55.5 dB, depending on the setting of the HILO pin. The slope of the gain control interface is 50 dB/V, and the gain control range is 40 mV to 1 V, leading to the following expressions for gain.

$$GAIN(dB) = 50(dB/V) \times V_{GAIN} - 6.5 dB, (HILO = LO) \quad (1)$$

or

$$GAIN(dB) = 50(dB/V) \times V_{GAIN} + 5.5 dB, (HILO = HI) \quad (2)$$

The gain characteristics are shown in Figure 55.

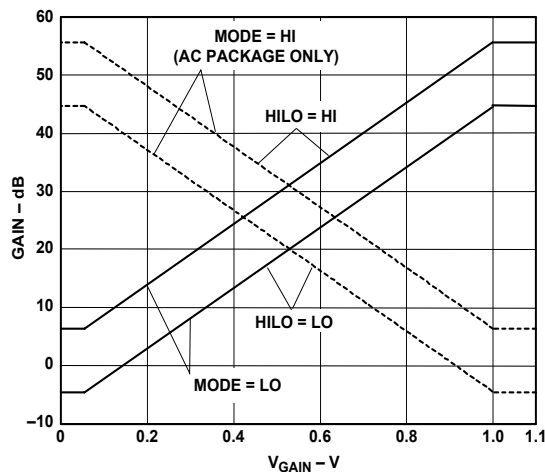


Figure 55. Gain Control Characteristics

When MODE is set high, (AC package only):

$$GAIN(dB) = -50(dB/V) \times V_{GAIN} + 45.5 dB, (HILO = LO) \quad (3)$$

$$GAIN(dB) = -50(dB/V) \times V_{GAIN} + 57.5 dB, (HILO = HI) \quad (4)$$

The LNA converts a single-ended input to a differential output with a voltage gain of 19 dB. When only one output is used, the gain is 13 dB. The inverting output is used for active input impedance termination. Each of the LNA outputs is capacitively coupled to a VGA input. The VGA consists of an attenuator with a range of 48 dB followed by an amplifier with 21 dB of gain, for a net gain range of -27 dB to +21 dB. The X-AMP gain-interpolation technique results in low gain error and uniform bandwidth, and differential signal paths minimize distortion.

The final stage is a logic programmable amplifier with gains of 3.5 dB or 15.5 dB. The LO and HI gain modes are optimized for 12-bit and 10-bit A/D converter applications, in terms of output-referred noise and absolute gain range. Output voltage limiting may be programmed by the user.

### Low Noise Amplifier (LNA)

AD8332 performance relies on a proprietary ultralow noise preamplifier at the beginning of the signal chain, which minimizes the noise contribution in the following VGA. Active impedance control optimizes noise performance for applications that benefit from input matching.

A simplified schematic of the LNA is shown in Figure 56. INH is capacitively coupled to the source. An on-chip bias generator centers the output dc levels at 2.5 V and the input voltages at 3.25 V. A capacitor C<sub>LMD</sub> of the same value as the input coupling capacitor C<sub>INH</sub> is connected from the LMD pin to ground.

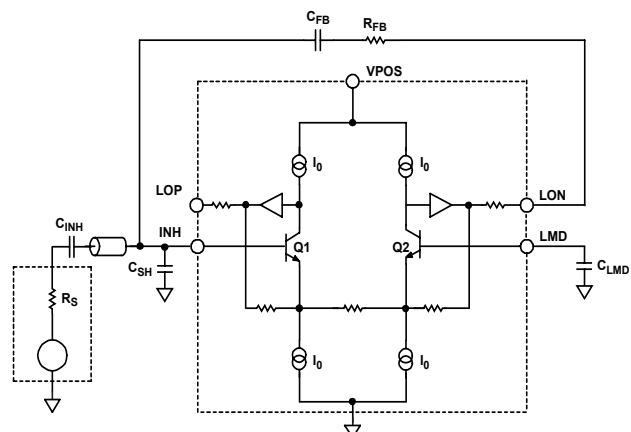


Figure 56. Simplified LNA Schematic



The LNA supports differential output voltages as high as 5 V p-p with positive and negative excursions of  $\pm 1.25$  V, about a common-mode voltage of 2.5 V. Since the differential gain magnitude is 9, the maximum input signal before saturation is  $\pm 275$  mV or 550 mV p-p. Overload protection ensures quick recovery time from large input voltages. Since the inputs are capacitively coupled to a bias voltage near midsupply, very large inputs can be handled without interacting with the ESD protection.

Low value feedback resistors and the current-driving capability of the output stage allow the LNA to achieve a low input-referred voltage noise of 0.74 nV/ $\sqrt{\text{Hz}}$ . This is achieved with a modest current consumption of 10 mA per channel (50 mW). On-chip resistor matching results in precise gains of 4.5 per side (9 differential), critical for accurate impedance control. The use of a fully differential topology and negative feedback minimizes distortion. Low HD2 is particularly important in second harmonic ultrasound imaging applications. Differential signaling enables smaller swings at each output, further reducing third order distortion.

## ACTIVE IMPEDANCE MATCHING

The AD8332 LNA supports active impedance matching through an external shunt feedback resistor from Pin LON to Pin INH. The input resistance  $R_{IN}$  is given by Equation 5, where  $A$  is the single-ended gain of 4.5, and 6 k $\Omega$  is the unterminated input impedance.

$$R_{IN} = \frac{R_{FB}}{1 + A} \parallel 6 \text{ k}\Omega = \frac{6 \text{ k}\Omega \times R_{FB}}{33 \text{ k}\Omega + R_{FB}} \quad (5)$$

$C_{FB}$  is needed in series with  $R_{FB}$ , since the dc levels at Pins LON and INH are unequal. Expressions for choosing  $R_{FB}$  in terms of  $R_{IN}$  and for choosing  $C_{FB}$  are found in the Applications section.  $C_{SH}$  and the ferrite bead enhance stability at higher frequencies where the loop gain declines and prevents peaking. Frequency response plots of the LNA are shown in Figure 19 and Figure 20. The bandwidth is approximately 130 MHz for matched input impedances of 50  $\Omega$  to 200  $\Omega$  and declines at higher source impedances. The unterminated bandwidth ( $R_{FB} = \infty$ ) is approximately 80 MHz.

Each output can drive external loads as low as 100  $\Omega$  in addition to the 100  $\Omega$  input impedance of the VGA (200  $\Omega$  differential). Capacitive loading up to 10 pF is permissible. All loads should be ac-coupled. Typically, Pin LOP output is used as a single-ended driver for auxiliary circuits, such as those used for Doppler mode ultrasound imaging, and Pin LON drives  $R_{FB}$ . Alternatively, a differential external circuit can be driven from the two outputs, in addition to the active feedback termination. In both cases, important stability considerations discussed in the Applications section should be carefully observed.

The impedance at each LNA output is 5  $\Omega$ . A slight reduction in open-circuit gain from 13.1 dB to 12.7 dB results when driving

the VGA, and to 12.3 dB with an additional 100  $\Omega$  load at the output. The differential gain of the LNA is 6 dB higher. If the load is less than 200  $\Omega$  on one side, an equal load should be used on the opposite output.

## LNA NOISE

The input-referred voltage noise of the AD8332 sets an important limit on system performance. The short-circuit input voltage noise of the LNA is 0.74 nV/ $\sqrt{\text{Hz}}$  or 0.82 nV/ $\sqrt{\text{Hz}}$  (at maximum gain), including the VGA noise. The open-circuit current noise is 2.5 pA/ $\sqrt{\text{Hz}}$ . These measurements, taken without a feedback resistor, provide the basis for simulating the input noise and noise figure performance of the configurations in Figure 57, which is shown in Figure 58 and Figure 59. Unterminated ( $R_{FB} = \infty$ ) operation exhibits the lowest equivalent input noise and noise figure. Noise figure versus source resistance plots are shown in Figure 58, rising at low  $R_S$ , where the LNA voltage noise is large compared to the source noise, and again at high  $R_S$  due to current noise. The VGA's input-referred voltage noise of 2.7 nV/ $\sqrt{\text{Hz}}$  is included in all of the curves.

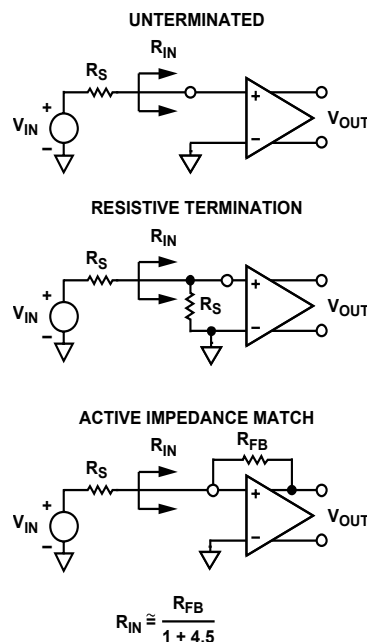


Figure 57. Input Configurations

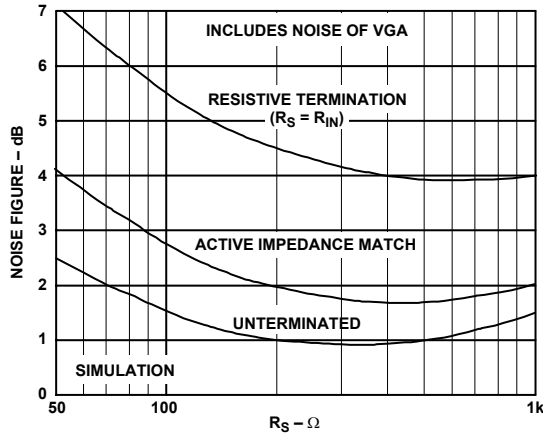


Figure 58. Noise Figure vs.  $R_S$  for Resistive, Active Matched and Underterminated Inputs

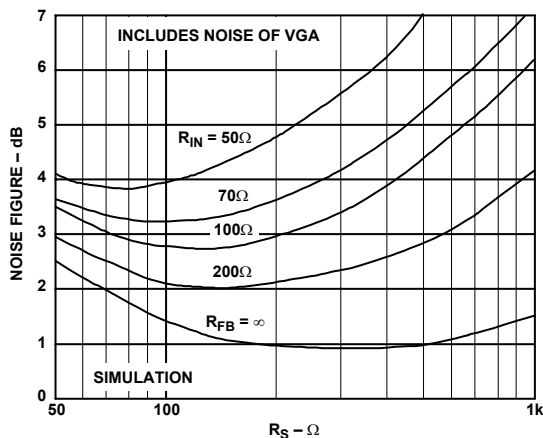


Figure 59. Noise Figure vs.  $R_S$  for Various Fixed Values of  $R_{IN}$ , Actively Matched

The primary purpose of input impedance matching is to improve the system transient response. With resistive termination, the input noise increases due to the thermal noise of the matching resistor and the increased contribution of the LNA's input voltage noise generator. With active impedance matching, however, the contributions of both are smaller than they would be for resistive termination by a factor of  $1/(1 + LNA\ Gain)$ . Figure 58 shows their relative noise figure (NF) performance. In this graph, the input impedance has been swept with  $R_S$  to preserve the match at each point. The noise figures for a source impedance of 50  $\Omega$  are 7.1 dB, 4.1 dB, and 2.5 dB, respectively, for the resistive, active, and unterminated configurations. The noise figures for 200  $\Omega$  are 4.6 dB, 2.0 dB, and 1.0 dB, respectively.

Figure 59 is a plot of the NF versus  $R_S$  for various values of  $R_{IN}$ , which is helpful for design purposes. The plateau in the NF for actively matched inputs mitigates source impedance variations. For comparison purposes, a preamp with a gain of 19 dB and noise spectral density of a 1.0 nV/ $\sqrt{Hz}$ , combined with a VGA with 3.75 nV/ $\sqrt{Hz}$ , would yield a noise figure degradation of

approximately 1.5 dB (for most input impedances), significantly worse than the AD8332 performance.

The equivalent input noise of the LNA is the same for single-ended and differential output applications. The LNA noise figure improves to 3.5 dB at 50  $\Omega$  without VGA noise, but this is exclusive of noise contributions from other external circuits connected to LOP. A series output resistor is usually recommended for stability purposes, when driving external circuits on a separate board (see the Applications section). In low noise applications, a ferrite bead is even more desirable.

## Variable Gain Amplifier

The differential X-AMP VGA provides precise input attenuation and interpolation. It has a low input-referred noise of 2.7 nV/ $\sqrt{Hz}$  and excellent gain linearity. A simplified block diagram is shown in Figure 60.

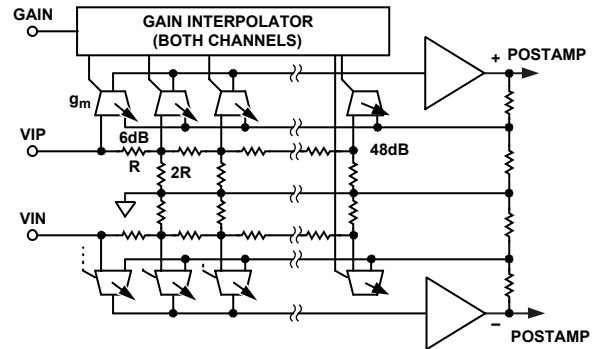


Figure 60. Simplified VGA Schematic

## X-AMP VGA

The input of the VGA is a differential R-2R ladder attenuator network, with 6 dB steps per stage and a net input impedance of 200  $\Omega$  differential. The ladder is driven by a fully differential input signal from the LNA and is not intended for single-ended operation. LNA outputs are ac-coupled to reduce offset and isolate their common-mode voltage. The VGA inputs are biased through the ladder's center tap connection to VCM, which is typically set to 2.5 V and is bypassed externally to provide a clean ac ground.

The signal level at successive stages in the input attenuator falls from 0 dB to -48 dB, in 6 dB steps. The input stages of the X-AMP are distributed along the ladder, and a biasing interpolator, controlled by the gain interface, determines the input tap point. With overlapping bias currents, signals from successive taps merge to provide a smooth attenuation range from 0 dB to -48 dB. This circuit technique results in excellent, linear-in-dB gain law conformance and low distortion levels and deviates  $\pm 0.2$  dB or less from ideal. The gain slope is monotonic with respect to the control voltage and is stable with variations in process, temperature, and supply.

The X-AMP inputs are part of a gain-of-12 feedback amplifier, which completes the VGA. Its bandwidth is 150 MHz. The input stage is designed to reduce feedthrough to the output and ensure excellent frequency response uniformity across gain setting (see Figure 8 and Figure 9).

## GAIN CONTROL

Position along the VGA attenuator is controlled by a single-ended analog control voltage,  $V_{\text{GAIN}}$ , with an input range of 40 mV to 1.0 V. The gain control scaling is trimmed to a slope of 50 dB/V (20 mV/dB). Values of  $V_{\text{GAIN}}$  beyond the control range saturate to minimum or maximum gain values. Both channels of the AD8332 are controlled from a single gain interface to preserve matching. The gain of the AD8332 can be calculated using the expressions shown previously in Equations 1 and 2.

Gain accuracy for the AD8332 is very good since both the scaling factor and absolute gain are factory trimmed. The overall accuracy relative to the theoretical gain expression is  $\pm 1$  dB for variations in temperature, process, supply voltage, interpolator gain ripple, trim errors, and tester limits. The gain error relative to a best-fit line for a given set of conditions is typically  $\pm 0.2$  dB. Gain matching between channels is better than 0.1 dB (see Figure 7, which shows gain errors in the center of the control range). When  $V_{\text{GAIN}} < 0.1$  or  $> 0.95$ , gain errors are slightly greater.

An inverted gain feature, illustrated in Figure 55, is available in the 32-lead AC package. The gain drops with a slope of  $-50$  dB/V across the gain control range from maximum to minimum gain. This slope is useful in applications, such as automatic gain control, where the control voltage is made inversely proportional to the measured output signal amplitude. The inverse gain mode is selected by setting the MODE pin HI.

The gain control response time of the AD8332 is less than 750 ns to settle within 10% of the final value for a change from minimum to maximum gain.

## VGA NOISE

In a typical application, the AD8332 serves as a bridge between a wide dynamic range input signal and an ADC. While the input-referred noise of the LNA limits the minimum resolvable input signal, the output-referred noise, which depends primarily on the VGA, limits the maximum instantaneous dynamic range that can be processed at any one particular gain control voltage. This limit is set in conjunction with the quantization noise floor of the ADC.

Output and input-referred noise as a function of  $V_{\text{GAIN}}$  are plotted in Figure 21 and Figure 23 for the short-circuited input condition. The input noise voltage is simply equal to the output noise divided by the measured gain at each point in the control range.

The output-referred noise is flat over most of the gain range, since it is dominated by the fixed output-referred noise of the VGA. Values are 48 nV/ $\sqrt{\text{Hz}}$  in LO gain mode and 178 nV/ $\sqrt{\text{Hz}}$  in HI gain mode. At the high end of the gain control range, the noise of the LNA and source prevail. The input-referred noise reaches its minimum value near the maximum gain control voltage, where the input-referred contribution of the VGA becomes very small.

At lower gains, the input-referred noise, and thus noise figure, increases as the gain decreases. The instantaneous dynamic range of the system is not lost, however, since the input capacity increases with it. The contribution of the ADC noise floor has the same dependence as well. The important relationship is the magnitude of the VGA output noise floor relative to that of the ADC.

With its low output-referred noise levels, the AD8332 is well suited as a driver for modern ADCs. The converter noise floor drops 12 dB for every 2 bits of resolution and drops at lower input full-scale voltages and higher sampling rates. ADC quantization noise is discussed in the Applications section.

The preceding noise performance discussion applies to a differential VGA output signal. Although the LNA noise performance is the same in single-ended and differential applications, the VGA performance is not. The noise of the VGA is significantly higher in single-ended usage, since the contribution of its bias noise is designed to cancel in the differential signal. A transformer can be used with single-ended applications when low noise is desired.

Gain control noise is an additional source of concern in very low noise applications. Thermal noise in the gain control interface can modulate the gain of the AD8332, producing noise-like fluctuations at the output.

This noise is proportional to the output signal level and usually only evident when a large signal is present. Its effect is observable only in LO gain mode, where the noise floor is substantially lower. The gain interface includes an on-chip noise filter, which reduces this effect significantly at frequencies above 5 MHz. Care should be taken to minimize noise at the GAIN input. An external RC filter may be used to remove  $V_{\text{GAIN}}$  source noise. The filter bandwidth should be sufficient to accommodate the desired control bandwidth.

## COMMON-MODE BIASING

An internal bias network connected to a midsupply voltage establishes common-mode voltages in the VGA and postamp. An externally bypassed buffer maintains the voltage. The bypass capacitors form an important ac ground connection, since the VCM network makes a number of important connections internally, including the center tap of the VGA's differential input attenuator, the feedback network of the VGA's fixed gain ampli-

# AD8332

fier, and the feedback network of the postamplifier in both gain settings. For best results, use a 1 nF and a 0.1  $\mu$ F capacitor in parallel, with the 1 nF nearest to the AD8332. Separate VCM pins are provided for each channel. As an added feature, the AD8332's VCM pins can be overridden with an external voltage source to define a common-mode voltage other than that of midsupply. A 1.5 V common-mode level, for example, can be set for a dc-coupled connection to a 3 V ADC.

## Postamplifier

The final stage of the AD8332 has a selectable gain of 3.5 dB or 15.5 dB, set by the logic Pin HILO. These correspond to linear gains of 1.5 or 6. A simplified block diagram of the postamplifier is shown in Figure 61.

Separate feedback attenuators implement the two gain settings. These are selected in conjunction with an appropriately scaled input stage to maintain a constant 3 dB bandwidth between the two gain modes ( $\sim 150$  MHz). The slew rate is 1200 V/ $\mu$ s in HI gain mode and 300 V/ $\mu$ s in LO gain mode. The feedback networks for HI and LO gain modes are factory trimmed to adjust the absolute gains of each channel.

## NOISE

The topology of the postamplifier provides constant input-referred noise with the two gain settings and variable output-referred noise. The output-referred noise in HI gain mode increases (with gain) by four. This setting is recommended when driving converters with higher noise floors. The extra gain boosts the AD8332 output signal levels and noise floor appropriately. When driving circuits with lower input noise floors, the LO gain mode optimizes the output dynamic range.

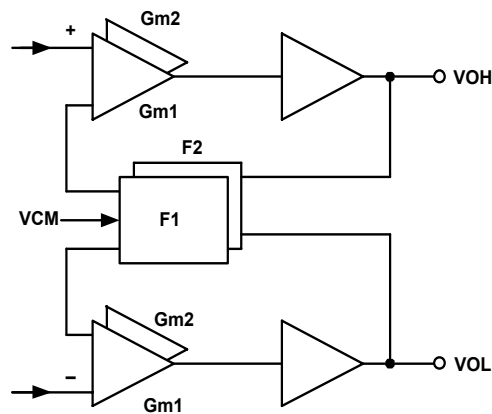


Figure 61. Postamplifier Block Diagram

Although the quantization noise floor of an ADC depends on a number of factors, the 48 nV/ $\sqrt{\text{Hz}}$  and 178 nV/ $\sqrt{\text{Hz}}$  levels of the AD8332 are well suited to the average requirements of most 12-bit and 10-bit converters, respectively. An additional technique, described in the Applications section, can extend the noise floor even lower for possible use with 14-bit ADCs.

## OUTPUT CLAMPING

Outputs are internally limited to a level of 4.5 V p-p differential, when operating at a 2.5 V common-mode voltage. The postamp implements an optional output clamp engaged through a resistor from  $R_{\text{CLMP}}$  to ground. Table 5 shows a list of recommended resistor values.

Output clamping can be used for ADC input overload protection, if needed, or postamp overload protection when operating from a lower common-mode level, such as 1.5 V. The user should be aware that distortion products increase as output levels approach the clamping levels and should adjust the clamp resistor accordingly. Also, see the Applications section.

The accuracy of the clamping levels is approximately  $\pm 5\%$  in LO or HI mode. Figure 62 illustrates the output characteristics for a few values of  $R_{\text{CLMP}}$ .

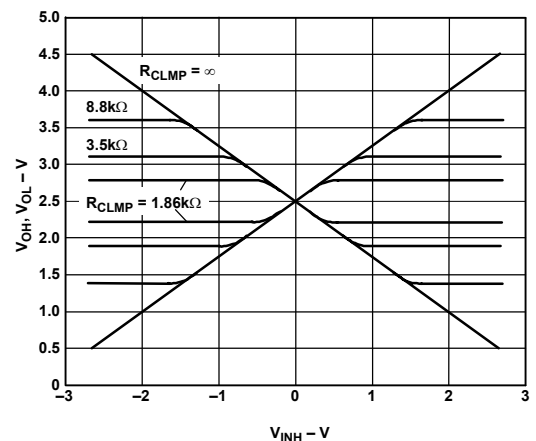


Figure 62. Output Clamping Characteristics

## APPLICATIONS

Figure 63 shows the basic circuit connections for one channel of the AD8332.

### LNA

The AD8332 LNA requires several external components. The LMD pin (internally connected to the bias circuitry) must be decoupled to ground, and the INH pin is capacitively coupled to the signal source (see Figure 63). A 0.1 μF capacitor is recommended for both.

The unterminated input impedance of the LNA is 6 kΩ. The user may synthesize any LNA input resistance between 50 Ω and 6 kΩ. R<sub>FB</sub> is calculated according to Equation 6 or selected from Table 4.

$$R_{FB} = \frac{33\text{ k}\Omega \times (R_{IN})}{6\text{ k}\Omega - (R_{IN})} \quad (6)$$

**Table 4. LNA External Component Values for Common Source Impedances**

R <sub>IN</sub> (Ω)	R <sub>FB</sub> (Nearest STD 1% Value, Ω)	C <sub>SH</sub> (pF)
50	280	22
75	412	12
100	562	8
200	1.13k	1.2
500	3.01k	None
6k	∞	None

When active input termination is used, a 0.1 μF capacitor (C<sub>FB</sub>) is required to isolate the input and output bias voltages of the LNA.

The shunt input capacitor, C<sub>SH</sub>, reduces gain peaking at higher frequencies where the active termination match is lost due to the HF gain roll-off of the LNA. Suggested values are shown in Table 4; for unterminated applications, reduce the capacitor value by half.

When a long trace to Pin INH is unavoidable, or if both LNA outputs drive external circuits, a small ferrite bead (FB) in series with Pin INH preserves circuit stability with negligible effect on noise. The bead shown is 75 Ω at 100 MHz (Murata BLM21 or equivalent). Other values may prove useful.

Figure 64 shows the interconnection details of the LNA output. Capacitive coupling between LNA outputs and the VGA inputs is required because of differences in their dc levels and to eliminate the offset of the LNA. Capacitor values of 0.1 μF are recommended. There is 0.4 dB loss in gain between the LNA output and the VGA input due to the 5 Ω output resistance. Additional loading at the LOP and LON outputs will affect LNA gain.

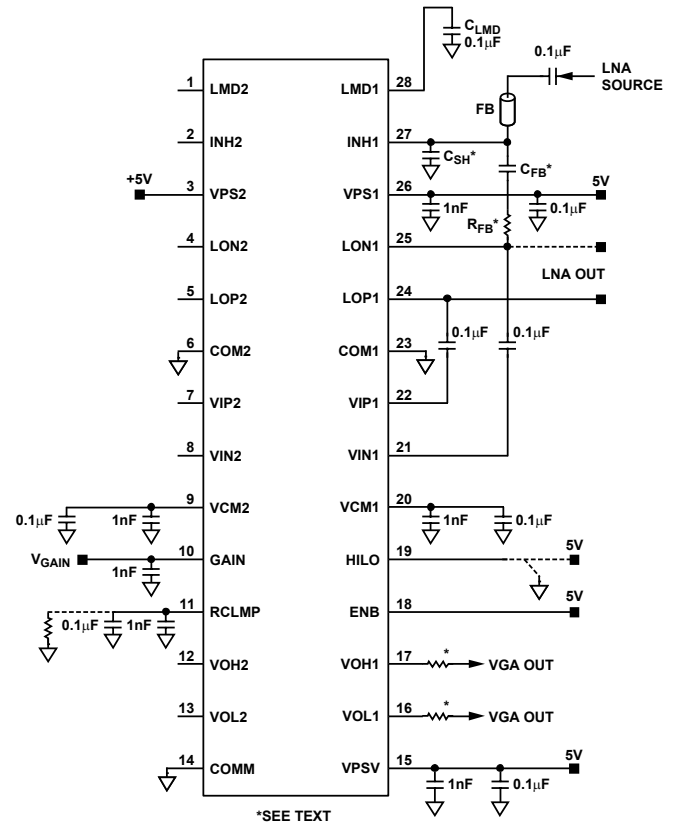


Figure 63. Basic Connections for a Single Channel (AR Package Shown)

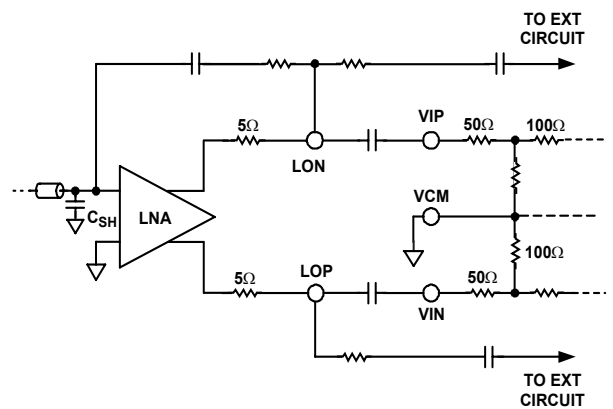


Figure 64. Interconnections of the LNA and VGA

Both LNA outputs are available for driving external circuits. Pin LOP should be used in those instances when a single-ended LNA output is required. The user should be aware of stray capacitance loading of the LNA outputs, in particular LON. The LNA can drive 100 Ω in parallel with 10 pF. If an LNA output is routed to a remote PC board, it will tolerate a load capacitance up to 100 pF with the addition of a 49.9 Ω series resistor or ferrite 75 Ω/100 MHz bead.

## VGA

### GAIN INPUT

The input impedance of the GAIN pin is nominally 10 M $\Omega$ . The GAIN pin is common to both channels and a 100 pF–1 nF capacitor is required for bypassing.

If several AD8332s are connected in parallel, they may be driven by a common voltage source or DAC. The source decoupling should take into account any bandwidth considerations of the drive waveform, using a total value of the selected bypass capacitance distributed among the devices.

If gain control noise in LO gain mode becomes a factor, maintaining  $\leq 15$  nV/ $\sqrt{\text{Hz}}$  noise at the GAIN pin will ensure satisfactory noise performance. Internal noise prevails below 15 nV/ $\sqrt{\text{Hz}}$  at the GAIN pin. Gain control noise is negligible in HI gain mode.

### VCM INPUT

The common-mode voltage of Pins VCM, VOL, and VOH defaults to 2.5 vdc. With output ac-coupled applications, the VCM pin will be unterminated; however, it must still be bypassed in close proximity for ac grounding of internal circuitry. The VGA outputs may be dc connected to a differential load, such as an ADC. Common-mode output voltage levels between 1.5 V and 3.5 V may be realized at Pins VOH and VOL by applying the desired voltage at Pin VCM. DC-coupled operation is not recommended when driving loads on a separate PC board.

The voltage on the VCM pin is sourced by a buffer with an output impedance of 30  $\Omega$  and a  $\pm 2$  mA default output current (see Figure 65). If the VCM pin is driven from an external source, its output impedance should be  $\ll 30$   $\Omega$  and its current drive capability should be  $\gg 2$  mA. If the VCM pins of several AD8332s are connected in parallel, the external buffer should be capable of overcoming their collective output currents. When a common-mode voltage other than 2.5 V is used, a voltage-limiting resistor, R<sub>CLMP</sub>, is needed to protect against overload.

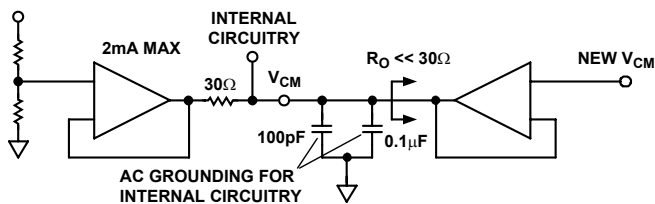


Figure 65. VCM Interface

## LOGIC INPUTS—ENB, MODE, AND HILO

In the AR package, Pin ENB is common to both channels and controls the LNA and VGA. In the AC package, Pins ENBL and ENBV control the LNA and VGA. The input impedance of the ENB pin is nominally 25 k $\Omega$  and may be pulled up to 5 V (a pull-up resistor is recommended) or driven by any 3 V or 5 V logic families. As with the GAIN pin, several devices may be connected in parallel and driven from a common source.

Pin HILO is also compatible with 3 V or 5 V CMOS logic families. It is either connected to ground or pulled up to 5 V, depending on the required gain range and output noise.

## OPTIONAL OUTPUT VOLTAGE LIMITING

The RCLMP pin provides the user with a means to limit the output voltage swing when used with loads that have no provisions for prevention of input overdrive. The peak-to-peak limited voltage is adjusted by a resistor to ground, and Table 5 lists several voltage levels and the corresponding resistor value. Unconnected, the default limiting level is 4.5 V p-p.

Note that third harmonic distortion will increase as waveform amplitudes approach clipping. For lowest distortion, the clamp level should be set higher than the converter input span. A clamp level of 1.5 V p-p is recommended for a 1 V p-p linear output range, 2.7 V p-p for a 2 V p-p range, or 1 V p-p for a 0.5 V p-p operation. The best solution will be determined experimentally. Figure 66 shows third harmonic distortion as a function of the limiting level for a 2 V p-p output signal. A wider limiting level is desirable in HI gain mode.

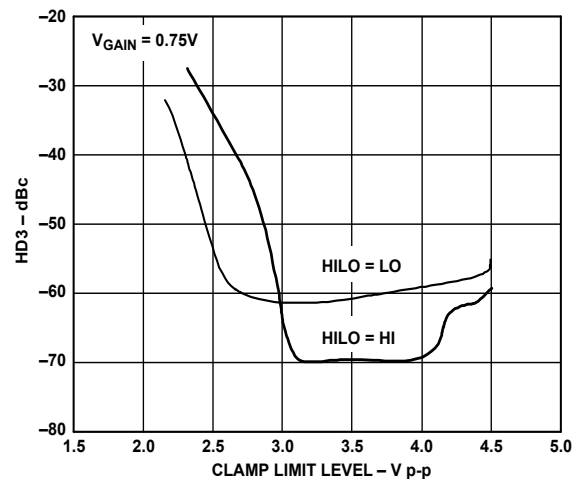


Figure 66. HD3 vs. Clamping Level for 2 V p-p Differential Input

**Table 5. Clamp Resistor Values**

Clamp Level (V p-p)	Clamp Resistor Value (k $\Omega$ )	
	HILO = LO	HILO = HI
0.5	1.21	
1.0	2.74	2.21
1.5	4.75	4.02
2.0	7.5	6.49
2.5	11	9.53
3.0	16.9	14.7
3.5	26.7	23.2
4.0	49.9	39.2
4.4	100	73.2

## OUTPUT FILTERING AND SERIES RESISTOR REQUIREMENTS

When the AD8332 drives large capacitive loads or circuits on other boards, series resistors are recommended for the VOH and VOL outputs to ensure stability at the high end of the gain control range. These resistors can be part of the external noise filter.

Recommended resistor values are 84.5  $\Omega$  for LO gain mode and 100  $\Omega$  for HI gain mode (see Figure 63) and are placed near Pins VOH and VOL. Lower value resistors are permissible for applications with nearby loads or with gains less than 40 dB. These resistors can also be part of an output filter circuit.

Experimentation is encouraged when lower values are desired, but the above values are recommended when they do not pose a problem for the frequency response of the output.

An antialiasing noise filter is typically used with an ADC. Filter requirements are application dependent.

When the ADC resides on a separate board, the majority of filter components should be placed with it. This reduces noise picked up between boards and mitigates charge kickback from the ADC inputs. Any series resistance beyond that required for the AD8332 should be placed on the ADC board. Figure 67 shows a second order low-pass filter with a bandwidth of 20 MHz. The capacitor is chosen in conjunction with the 10 pF input capacitance of the ADC.

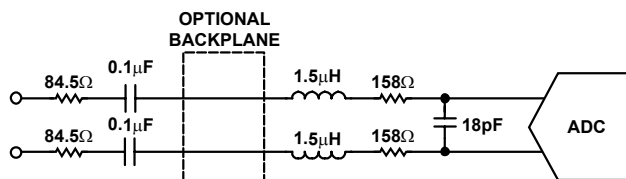


Figure 67. 20 MHz Second Order Low-Pass Filter

## Driving ADCs

The AD8332 accommodates a wide range of ADCs. The noise floor requirements of the VGA will depend on a number of application factors, including bit resolution, sampling rate, full-

scale voltage, and the bandwidth of the noise/antialias filter. The output noise floor and gain range of the AD8332 can be adjusted by selecting HI or LO gain mode.

The relative noise and distortion performance of the two gain modes can be compared in Figure 21 and Figure 27–Figure 37. The 48 nV/ $\sqrt{\text{Hz}}$  noise floor of the LO gain mode is suited to converters with higher sampling rates or resolutions (such as 12 bits). Both gain modes can accommodate ADC full-scale voltages as high as 4 V p-p. Since AD8332 distortion performance remains favorable for output voltages as high as 4 V p-p (see Figure 32), it is possible to lower the output-referred noise even further by using a resistive attenuator (or transformer) at the output. The circuit in Figure 68 has an output full-scale range of 2 V p-p, a gain range of  $-10.5$  dB to  $+37.5$  dB, and an output noise floor of 24 nV/ $\sqrt{\text{Hz}}$ , making it suitable for some 14-bit ADC applications.

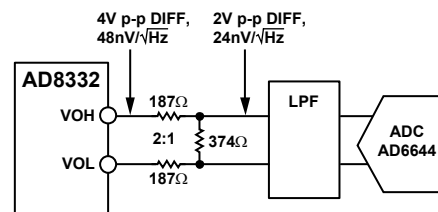


Figure 68. Adjusting the Noise Floor for 14-Bit ADCs

## Overload

The AD8332 responds gracefully to large signals that overload its input stage and to normal signals that overload the VGA when the gain is set unexpectedly high. Each stage is designed for clean-limited overload waveforms and fast recovery when gain setting or input amplitude is reduced.

Signals larger than  $\pm 275$  mV at the LNA input are clipped to 5 V p-p differential prior to the input of the VGA. Figure 44 shows the response to a 1 V p-p input burst. The symmetric overload waveform is important for applications, such as CW Doppler ultrasound, where the spectrum of the LNA outputs during overload is critical. The input stage is also designed to accommodate signals as high as  $\pm 2.5$  V without triggering the slow-settling ESD input protection diodes.

Both stages of the VGA are susceptible to overload. Postamp limiting is more common and results in the clean-limited output characteristics found in Figure 45. Under more extreme conditions, the X-AMP will overload, causing the minor glitches evident in Figure 46. Recovery is fast in all cases. The graph in Figure 69 summarizes the combinations of input signal and gain that lead to the different types of overload.

# AD8332

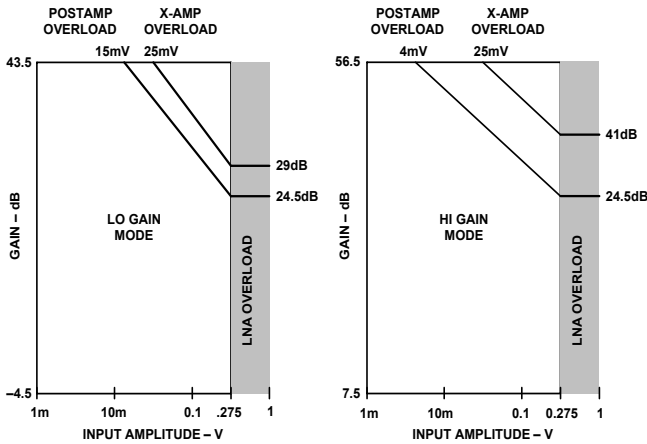


Figure 69. Overload Gain and Signal Conditions

The previously mentioned clamp interface controls the maximum output swing of the postamp and its overload response. When no  $R_{CLMP}$  resistor is provided, this level defaults to near 4.5 V p-p differential to protect outputs centered at a 2.5 V common mode. When other common-mode levels are set through the VCM pin, the value of  $R_{CLMP}$  should be chosen for graceful overload. A value of 8.3 k $\Omega$  or less is recommended for 1.5 V or 3.5 V common-mode levels (7.2 k $\Omega$  for HI gain mode). This limits the output swing to just above 2 V p-p diff.

## Layout, Grounding, And Bypassing

As with any high speed device, the AD8332 is sensitive to its PCB environment. Realizing its superior performance specifications requires attention to various details generic to good high speed performance as well as those specific to the AD8332.

A primary requirement is a good solid ground plane that covers as much of the board area surrounding the AD8332 as possible. The only exception to this is that the LNA output pins (LON and LOP) should be kept a few millimeters away from the ground plane. To minimize stray capacitance on these nodes and help preserve the bandwidth, the ground plane beneath these pins should be removed.

Multiple power and ground pins provide robust power distribution to the device and must all be connected. The power supply pins (VPS1, VPS2, and VPSV) should each be bypassed to a nearby ground plane. Multiple values of high frequency ceramic chip capacitors are recommended to provide the lowest possible impedance path to ground over a wide frequency range. They should be placed as close as possible to the device and they should have capacitance values of 0.01  $\mu$ F to 0.1  $\mu$ F in parallel with 100 pF to 1 nF. In addition, it is best if each supply pin is isolated from the common 5 V power via ferrite beads. They, together with the decoupling capacitors, help eliminate undesired high frequencies at the supply pins without reducing the headroom, as do small value resistors.

There are several critical areas relating to the AD8332 that require additional care, especially with the LNA. The LON and LOP output traces must be as short as possible before connecting to the coupling capacitors connected to Pins VIN and VIP.  $R_{FB}$  must be placed close to the LON pins as well. Resistors must be placed as close as possible to the VGA output pins VOL and VOH to mitigate loading effects of connecting traces. Values are discussed in the Output Filtering and Series Resistor Requirements section.

Signal traces should be short and direct to avoid parasitic effects. Wherever there are complementary signals, symmetrical layout should be employed to maintain waveform balance. PCB traces should be kept adjacent when running differential signals over a long distance. Differential wiring should be twisted together to minimize the area of the loop that is formed. This will reduce the radiated energy and make the circuit less susceptible to interference. Where possible, signals should be run over ground planes to avoid radiating or to minimize susceptibility to radiating sources.

## Multiple Input Matching

Active termination matching is particularly convenient for accommodating sources with dissimilar impedances. A relay and low supply voltage analog switch may be used to select between multiple sources and their associated feedback resistor. Figure 70 shows how such a scheme might be implemented using an ADG736 dual SPDT switch. Higher order switches are also available and users are referred to the Analog Devices Selection Guide for switches and multiplexers.

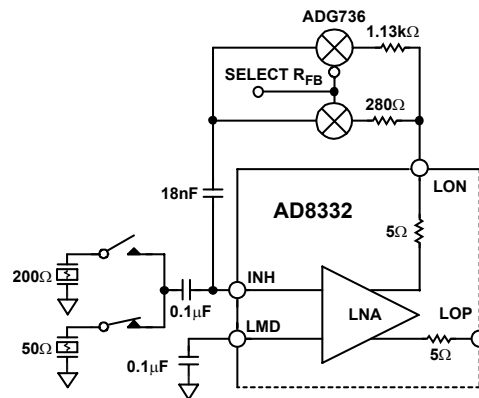


Figure 70. Accommodating Multiple Sources



## Measurement Considerations

Figure 51, Figure 52, and Figure 53 show typical measurement configurations and proper interface values for measurements with 50  $\Omega$  conditions.

Short-circuit input noise measurements are made using Figure 53. The input-referred noise level is determined by dividing the output noise by the numerical gain between Point A and Point B and accounting for the noise floor of the spectrum analyzer. The gain should be measured at each frequency of interest and with low signal levels since a 50  $\Omega$  load is driven directly. The generator is removed when noise measurements are made.

## Ultrasound TGC Application

The AD8332 ideally meets the requirements of medical and industrial ultrasound applications. The TGC amplifier is a key subsystem in such applications, since it provides the means for echolocation of reflected ultrasound energy.

Figure 71 through Figure 73 are schematics of a dual, fully differential system using the AD8332 and AD9238 12-bit high speed ADC with conversion speeds as high as 65 MSPS. In this example, the VGA outputs are dc-coupled, using the reference output of the ADC and a level shifter to center the common-mode output voltage to match that of the converter. Consult the data sheet of the converter to determine whether external CMV biasing is required for the device being used. If the CMV of the VGA and ADC are widely disparate, ac coupling is recommended.

A 100  $\Omega$ /120 nH resistor/bead network is recommended if the capacitance at the VGA output is greater than 10 pF, or in the event that A/D converters are located remotely from the VGA.

# AD8332

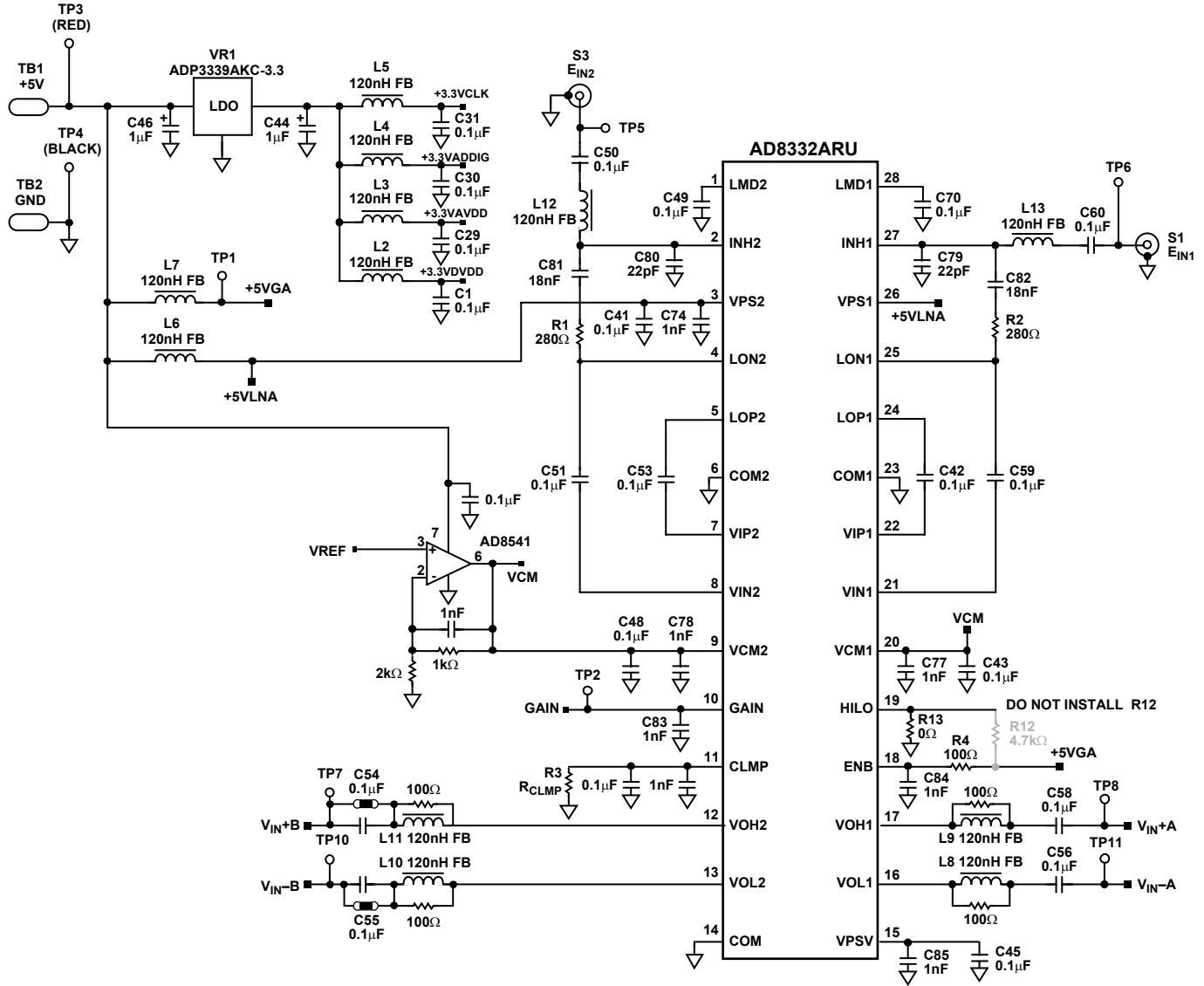


Figure 71. Schematic, TGC, VGA Section

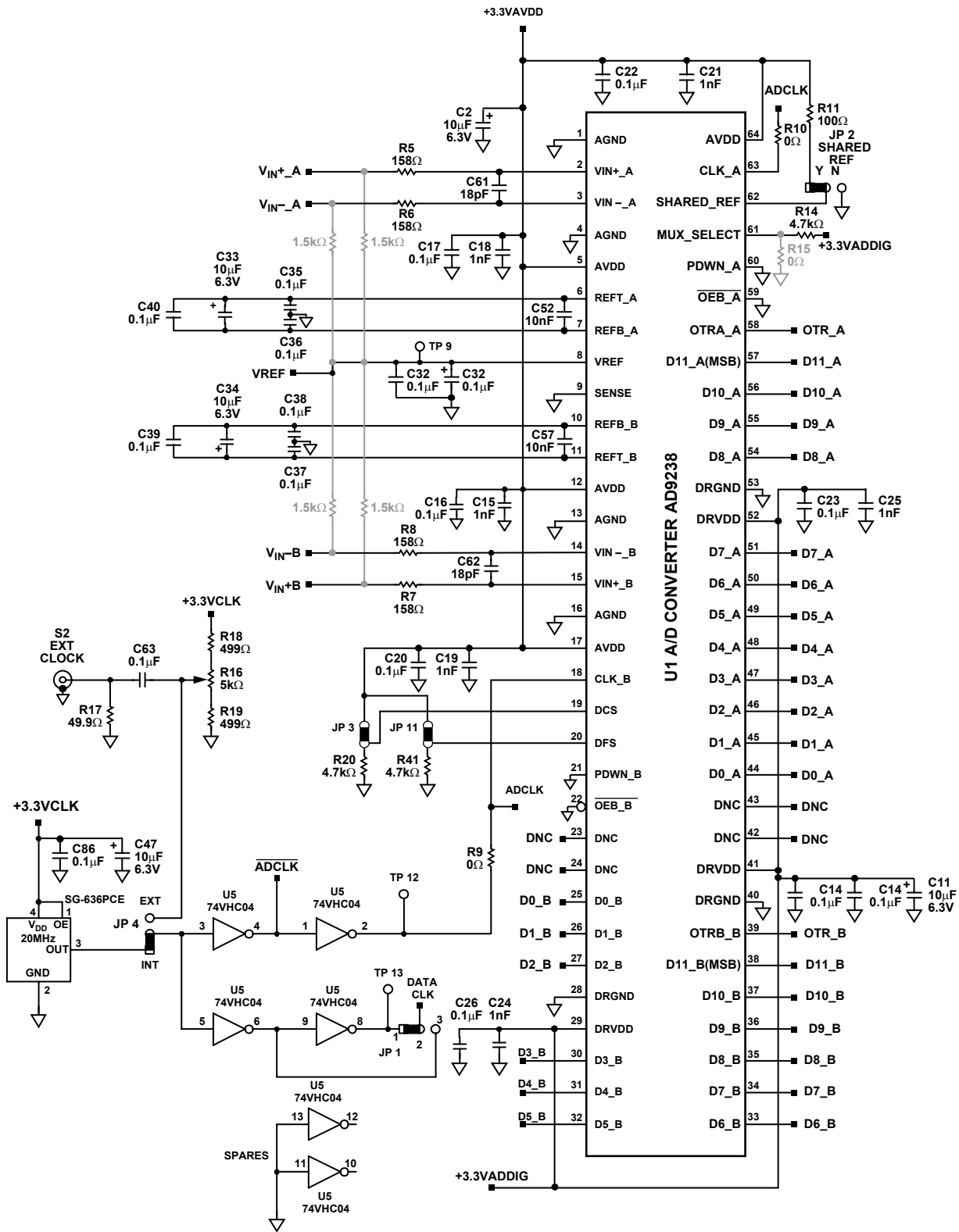


Figure 72. Converter Schematic

# AD8332

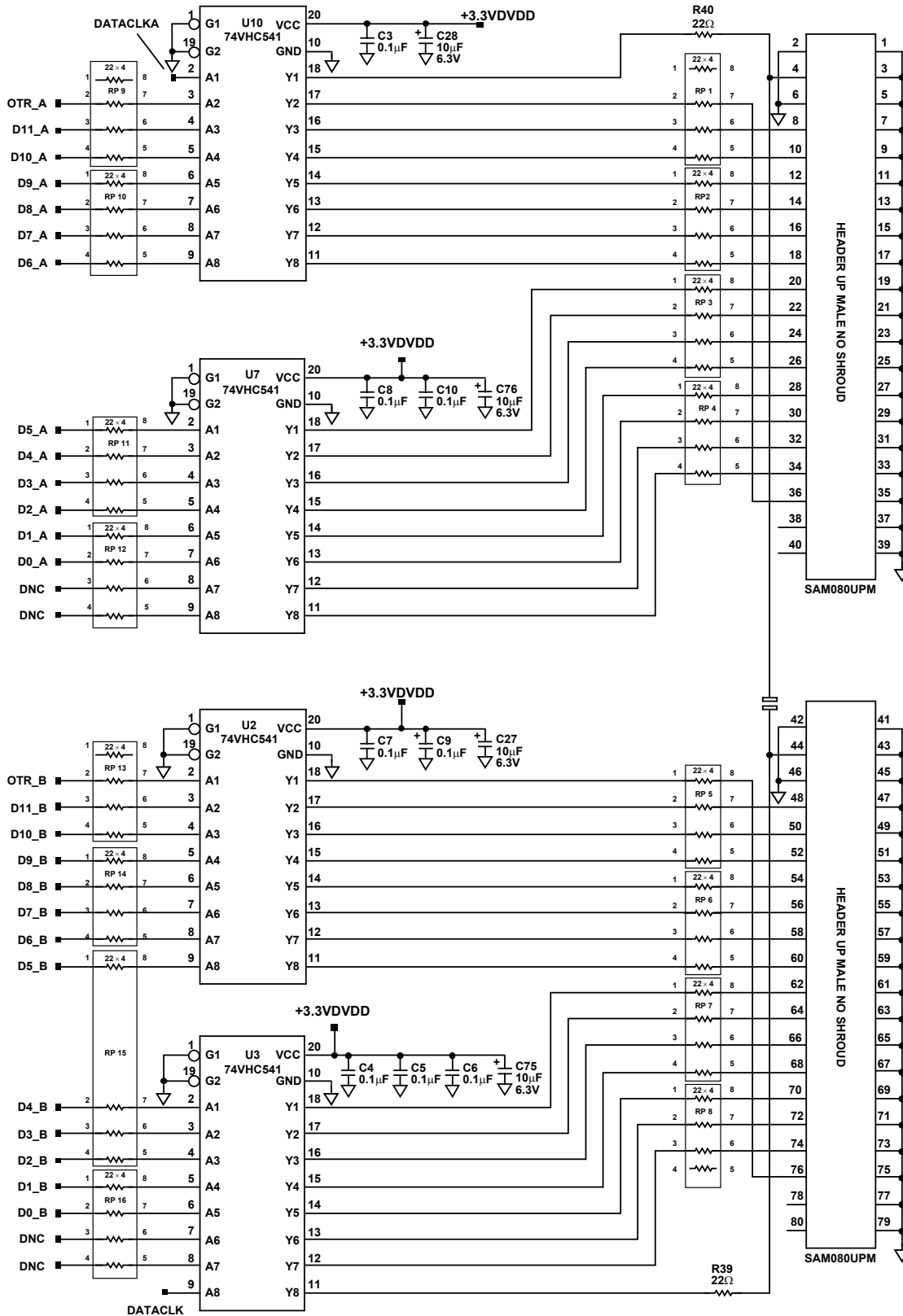


Figure 73. Converter Schematic

## PIN FUNCTION DESCRIPTIONS

**Table 6. 28-Lead TSSOP (AR PACKAGE)**

Pin No.	Name	Description
1	LMD2	CH2 LNA Signal Ground
2	INH2	CH2 LNA Input
3	VPS2	CH2 Supply LNA 5 V
4	LON2	CH2 LNA Inverting Output
5	LOP2	CH2 LNA Noninverting Output
6	COM2	CH2 LNA Ground
7	VIP2	CH2 VGA Noninverting Input
8	VIN2	CH2 VGA Inverting Input
9	VCM2	CH2 Common-Mode Voltage
10	GAIN	Gain Control Voltage
11	RCLMP	Output Clamping Resistor
12	VOH2	CH2 Noninverting VGA Output
13	VOL2	CH2 Inverting VGA Output
14	COMM	VGA Ground (Both Channels)
15	VPSV	VGA Supply 5 V (Both Channels)
16	VOL1	CH1 Inverting VGA Output
17	VOH1	CH1 Noninverting VGA Output
18	ENB	Enable—VGA/LNA
19	HILO	VGA Gain Range Select (HI or LO)
20	VCM1	CH1 Common-Mode Voltage
21	VIN1	CH1 VGA Inverting Input
22	VIP1	CH1 VGA Noninverting Input
23	COM1	CH1 LNA Ground
24	LOP1	CH1 LNA Noninverting Output
25	LON1	CH1 LNA Inverting Output
26	VPS1	CH1 LNA Supply 5 V
27	INH1	CH1 LNA Input
28	LMD1	CH1 LNA Signal Ground

**Table 7. 32-Lead LFCSP (AC PACKAGE)**

Pin No.	Name	Description
1	LON1	CH1 LNA Inverting Output
2	VPS1	CH1 LNA Supply 5 V
3	INH1	CH1 LNA Input
4	LMD1	CH1 LNA Signal Ground
5	LMD2	CH2 LNA Signal Ground
6	INH2	CH2 LNA Input
7	VPS2	CH2 LNA Supply 5 V
8	LON2	CH2 LNA Inverting Output
9	LOP2	CH2 LNA Noninverting Output
10	COM2	CH2 LNA Ground
11	VIP2	CH2 VGA Noninverting Input
12	VIN2	CH2 VGA Inverting Input
13	VCM2	CH2 Common-Mode Voltage
14	MODE	Gain Slope Logic Input
15	GAIN	Gain Control Voltage
16	RCLMP	Output Clamping Level Input
17	COMM	VGA Ground
18	VOH2	CH2 Noninverting VGA Output
19	VOL2	CH2 Inverting VGA Output
20	COMM	VGA Ground
21	VPSV	VGA Supply 5 V
22	VOL1	CH1 Inverting VGA Output
23	VOH1	CH1 Noninverting VGA Output
24	COMM	VGA Ground
25	ENBV	VGA Enable
26	ENBL	LNA Enable
27	HILO	VGA Gain Range Select (HI or LO)
28	VCM1	CH1 Common-Mode Voltage
29	VIN1	CH1 VGA Inverting Input
30	VIP1	CH1 VGA Noninverting Input
31	COM1	CH1 LNA Ground
32	LOP1	CH1 LNA Noninverting Output

# AD8332

## PIN CONFIGURATIONS

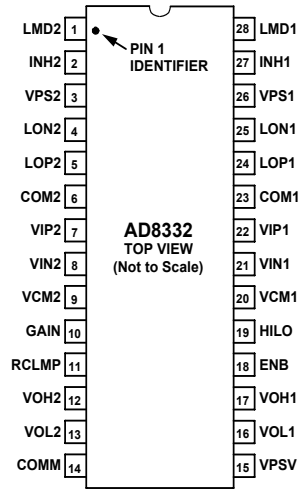


Figure 74. 28-Lead TSSOP

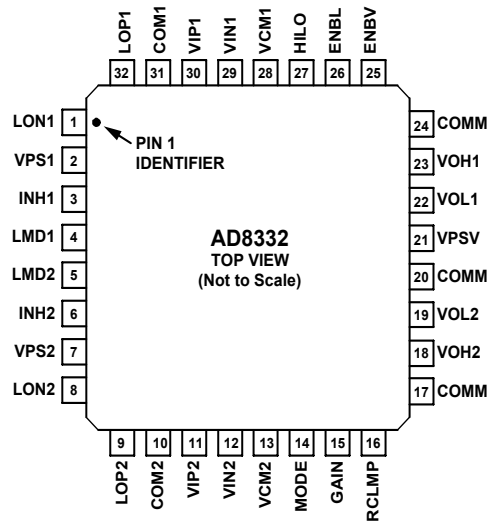
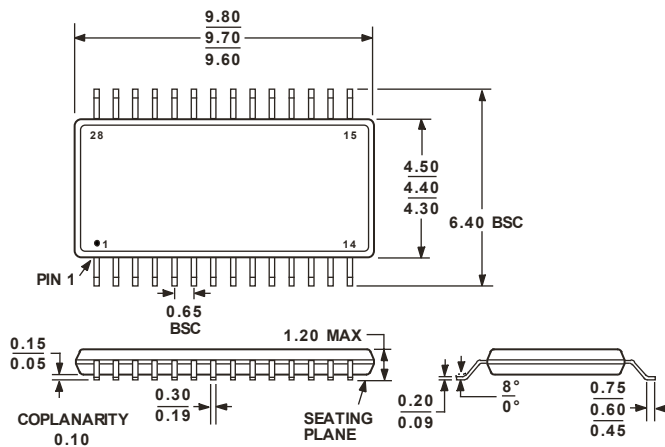


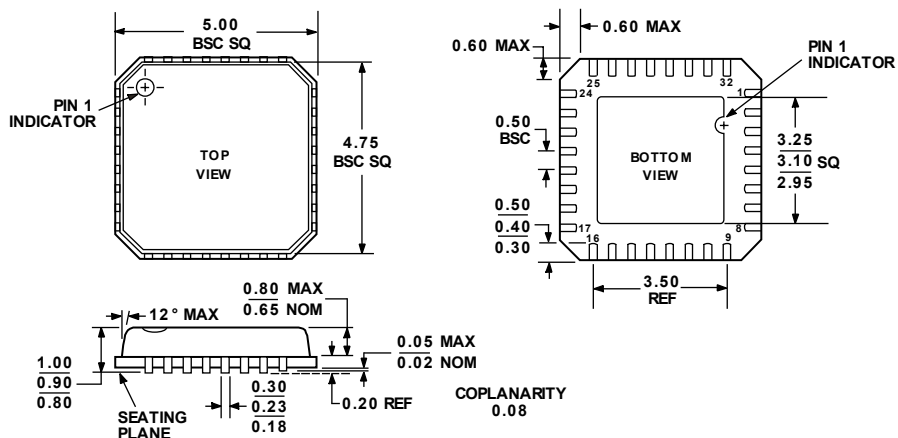
Figure 75. 32-Lead LFCSP

## OUTLINE DIMENSIONS



COMPLIANT TO JEDEC STANDARDS MO-153AE

Figure 76. 28-Lead This Shrink Small Outline Package [TSSOP] (RU-28)—Dimensions shown in millimeters



COMPLIANT TO JEDEC STANDARDS MO-220-VHHD-2

Figure 77. 32-Lead Frame Chip Scale Package [LFCSP] (CP-32)—Dimensions shown in millimeters

## ESD CAUTION

ESD (electrostatic discharge) sensitive device. Electrostatic charges as high as 4000 V readily accumulate on the human body and test equipment and can discharge without detection. Although this product features proprietary ESD protection circuitry, permanent damage may occur on devices subjected to high energy electrostatic discharges. Therefore, proper ESD precautions are recommended to avoid performance degradation or loss of functionality.



# AD8332

## Ordering Guide

AD8332 Products	Temperature Range	Package Description	Package Outline
AD8332ARU	-40°C to +85°C	Thin Shrink Small Outline Package (TSSOP)	RU-28
AD8332ARU-REEL	-40°C to +85°C	Thin Shrink Small Outline Package (TSSOP)	RU-28
AD8332ARU-REEL7	-40°C to +85°C	Thin Shrink Small Outline Package (TSSOP)	RU-28
AD8332ACP-REEL	-40°C to +85°C	Lead Frame Chip Scale Package (LFCSP)*	CP-32
AD8332ACP-REEL7	-40°C to +85°C	Lead Frame Chip Scale Package (LFCSP)*	CP-32
AD8332-EVAL		Evaluation Board with AD8332ARU	

\*Contact factory.