



# Pseudo Differential, 100kSPS, 12-Bit ADC in 8-lead SOT-23

## Preliminary Technical Data

## AD7457

### FEATURES

Specified for  $V_{DD}$  of 3 V and 5 V

Very Low Power:

TBD mW typ at 100kSPS with 3 V Supplies

TBD mW typ at 100kSPS with 5 V Supplies

Pseudo Differential Analog Input

Wide Input Bandwidth:

70dB SINAD at 20kHz Input Frequency

No Pipeline Delays

Serial Interface - SPI™/QSPI™/MICROWIRE™/

DSP Compatible

Automatic Power-Down Mode

8 Pin SOT-23 and  $\mu$ SOIC Package

### APPLICATIONS

Transducer Interface

Battery Powered Systems

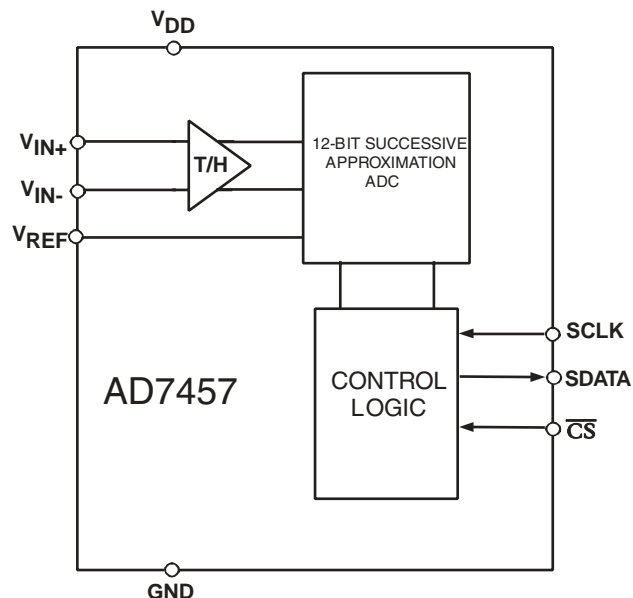
Data Acquisition Systems

Portable Instrumentation

Motor Control

Communications

### FUNCTIONAL BLOCK DIAGRAM



### GENERAL DESCRIPTION

The AD7457 is a 12-bit, low power, successive-approximation (SAR) analog-to-digital converter that features a pseudo differential analog input. The part operates from a single 2.7 V to 5.25 V power supply and features throughput rates up to 100kSPS.

The part contains a low-noise, wide bandwidth, differential track and hold amplifier (T/H) which can handle input frequencies in excess of 1MHz with the -3dB point being 20MHz typically. The reference voltage is 2.5 V and is applied externally to the  $V_{REF}$  pin.

The conversion process and data acquisition are controlled using  $\overline{CS}$  and the serial clock allowing the device to interface with Microprocessors or DSPs. The device is powered up on the falling edge of  $\overline{CS}$  and a conversion is initiated on the rising edge of  $\overline{CS}$ , where the analog input is sampled. Once a conversion is complete, the device automatically enters a power down mode to reduce power dissipation between conversions.

MICROWIRE is a trademark of National Semiconductor Corporation.  
SPI and QSPI are trademarks of Motorola, Inc.

REV. PrA 24/07/02

Information furnished by Analog Devices is believed to be accurate and reliable. However, no responsibility is assumed by Analog Devices for its use, nor for any infringements of patents or other rights of third parties which may result from its use. No license is granted by implication or otherwise under any patent or patent rights of Analog Devices.

The SAR architecture of this part ensures that there are no pipeline delays.

### PRODUCT HIGHLIGHTS

1. Operation with 2.7 V to 5.25 V power supplies.
2. Low Power Consumption.  
With a 3V supply, the AD7457 offers 1mW typ power consumption for 100kSPS throughput.
3. Pseudo Differential Analog Input.  
The  $V_{IN-}$  input can be used as an offset from ground
4. No Pipeline Delay.
5. Accurate control of the sampling instant via a  $\overline{CS}$  input and once off conversion control.
6. 8-lead SOT-23 package.

PRELIMINARY TECHNICAL DATA

# AD7457 - SPECIFICATIONS<sup>1</sup>

( $V_{DD} = 2.7V$  to  $5.25V$ ,  $f_{SCLK} = 12MHz$ ,  $f_s = 100kHz$ ,  $V_{REF} = 2.5 V$ ;  $F_{IN} = 20kHz$ ;  
 $T_A = T_{MIN}$  to  $T_{MAX}$ , unless otherwise noted.)

Parameter	Test Conditions/Comments	B Version <sup>1</sup>	Unit
<b>DYNAMIC PERFORMANCE</b>			
Signal to (Noise + Distortion) (SINAD) <sup>2</sup>		70	dB min
Total Harmonic Distortion (THD) <sup>2</sup>	-80dB typ	-75	dB max
Peak Harmonic or Spurious Noise <sup>2</sup>	-82dB typ	-75	dB max
Intermodulation Distortion (IMD) <sup>2</sup>			
Second Order Terms		-85	dB typ
Third Order Terms		-85	dB typ
Aperture Delay <sup>2</sup>		10	ns typ
Aperture Jitter <sup>2</sup>		50	ps typ
Full Power Bandwidth <sup>2</sup>	@ -3 dB	20	MHz typ
	@ -0.1 dB	2.5	MHz typ
<b>DC ACCURACY</b>			
Resolution		12	Bits
Integral Nonlinearity (INL) <sup>2</sup>		±1	LSB max
Differential Nonlinearity (DNL) <sup>2</sup>	Guaranteed No Missed Codes to 12 Bits.		
Offset Error <sup>2</sup>		±1	LSB max
Gain Error <sup>2</sup>		±3	LSB max
		±3	LSB max
<b>ANALOG INPUT</b>			
Full Scale Input Span	$V_{IN+} - V_{IN-}$	$V_{REF}$	V
Absolute Input Voltage			
$V_{IN+}$		$V_{REF}$	V
$V_{IN-}$ <sup>3</sup>		0.1 to 1	V
DC Leakage Current		±1	µA max
Input Capacitance	When in Track	20	pF typ
	When in Hold	6	pF typ
<b>REFERENCE INPUT</b>			
$V_{REF}$ Input Voltage	±1% tolerance for specified performance	2.5	V
DC Leakage Current		±1	µA max
$V_{REF}$ Input Capacitance		15	pF typ
<b>LOGIC INPUTS</b>			
Input High Voltage, $V_{INH}$		2.4	V min
Input Low Voltage, $V_{INL}$		0.8	V max
Input Current, $I_{IN}$	Typically 10nA, $V_{IN} = 0V$ or $V_{DD}$	±1	µA max
Input Capacitance, $C_{IN}$ <sup>7</sup>		10	pF max
<b>LOGIC OUTPUTS</b>			
Output High Voltage, $V_{OH}$	$V_{DD} = 5V$ ; $I_{SOURCE} = 200\mu A$	2.8	V min
	$V_{DD} = 3V$ ; $I_{SOURCE} = 200\mu A$	2.4	V min
Output Low Voltage, $V_{OL}$	$I_{SINK} = 200\mu A$	0.4	V max
Floating-State Leakage Current		±1	µA max
Floating-State Output Capacitance <sup>7</sup>		10	pF max
Output Coding		Straight (Natural) Binary	

## AD7457 - SPECIFICATIONS

AD7457

Parameter	Test Conditions/Comments	B Version <sup>1</sup>	Units
<b>CONVERSION RATE</b>			
Conversion Time	1.33 $\mu$ s with a 12MHz SCLK	16	SCLK cycles
Track/Hold Acquisition Time <sup>2</sup>	Sine Wave Input	TBD	ns max
	Step Input	TBD	ns max
Throughput Rate <sup>6</sup>		100	kSPS max
<b>POWER REQUIREMENTS</b>			
V <sub>DD</sub>		2.7/5.25	Vmin/max
I <sub>DD</sub> <sup>5, 7</sup>			
Static	V <sub>DD</sub> = 3 V/5 V. SCLK On or Off	0.5	mA typ
Operational	V <sub>DD</sub> = 5 V.	TBD	mA max
	V <sub>DD</sub> = 3 V.	TBD	mA max
Power Dissipation			
Operational	V <sub>DD</sub> = 5 V.	TBD	mW max
	V <sub>DD</sub> = 3 V.	TBD	mW max

## NOTES

<sup>1</sup>Temperature ranges as follows: A, B Versions: -40°C to +85°C.

<sup>2</sup>See 'Terminology' section.

<sup>3</sup>A small DC input is applied to V<sub>IN-</sub> to provide a pseudo ground for V<sub>IN+</sub>.

<sup>4</sup>Sample tested @ 25°C to ensure compliance.

<sup>5</sup>See Power vs Throughput rate section.

<sup>6</sup>See Serial Interface section

<sup>7</sup>Measured with a midscale DC input.

Specifications subject to change without notice.

# AD7457

## TIMING SPECIFICATIONS<sup>1,2</sup>

( $V_{DD} = 2.7V$  to  $5.25V$ ,  $f_{SCLK} = 12MHz$ ,  $f_s = 100kHz$ ,  $V_{REF} = 2.5V$ ;  
 $T_A = T_{MIN}$  to  $T_{MAX}$ , unless otherwise noted.)

Parameter	Limit at $T_{MIN}$ , $T_{MAX}$	Units	Description
$f_{SCLK}$ <sup>4</sup>	10 12	kHz min MHz max	
$t_{CONVERT}$	$16 \times t_{SCLK}$ 1.33	$\mu s$ max	$t_{SCLK} = 1/f_{SCLK}$ 12MHz $f_{SCLK}$
$t_{POWERUP}$	1.4	$\mu s$ min	Power-Up Time
$t_{ACQUISITION}$	1.4	$\mu s$ min	Acquisition Time
$t_2$	10	ns min	$\overline{CS}$ Rising Edge to SCLK Falling Edge Setup Time
$t_3$ <sup>5</sup>	20	ns max	Delay from $\overline{CS}$ Rising Edge Until SDATA 3-State Disabled
$t_4$ <sup>5</sup>	40	ns max	Data Access Time After SCLK Falling Edge
$t_5$	$0.4 t_{SCLK}$	ns min	SCLK High Pulse Width
$t_6$	$0.4 t_{SCLK}$	ns min	SCLK Low Pulse Width
$t_7$	10	ns min	SCLK Edge to Data Valid Hold Time
$t_8$ <sup>6</sup>	10	ns min	SCLK Falling Edge to SDATA 3-State Enabled
	35	ns max	SCLK Falling Edge to SDATA 3-State Enabled
$t_{SLEEP}$	20	ns min	Time spent in Power Down

NOTES

<sup>1</sup>Sample tested at +25°C to ensure compliance. All input signals are specified with  $t_r = t_f = 5$  ns (10% to 90% of  $V_{DD}$ ) and timed from a voltage level of 1.6 Volts.

<sup>2</sup>See Figure 1 and the 'Serial Interface' section.

<sup>3</sup>Common Mode Voltage.

<sup>4</sup>Mark/Space ratio for the SCLK input is 40/60 to 60/40.

<sup>5</sup>Measured with the load circuit of Figure 2 and defined as the time required for the output to cross 0.8 V or 2.4 V with  $V_{DD} = 5$  V and time for an output to cross 0.4 V or 2.0 V for  $V_{DD} = 3$  V.

<sup>6</sup> $t_8$  is derived from the measured time taken by the data outputs to change 0.5 V when loaded with the circuit of Figure 2. The measured number is then extrapolated back to remove the effects of charging or discharging the 50 pF capacitor. This means that the time,  $t_8$ , quoted in the timing characteristics is the true bus relinquish time of the part and is independent of the bus loading. Specifications subject to change without notice.

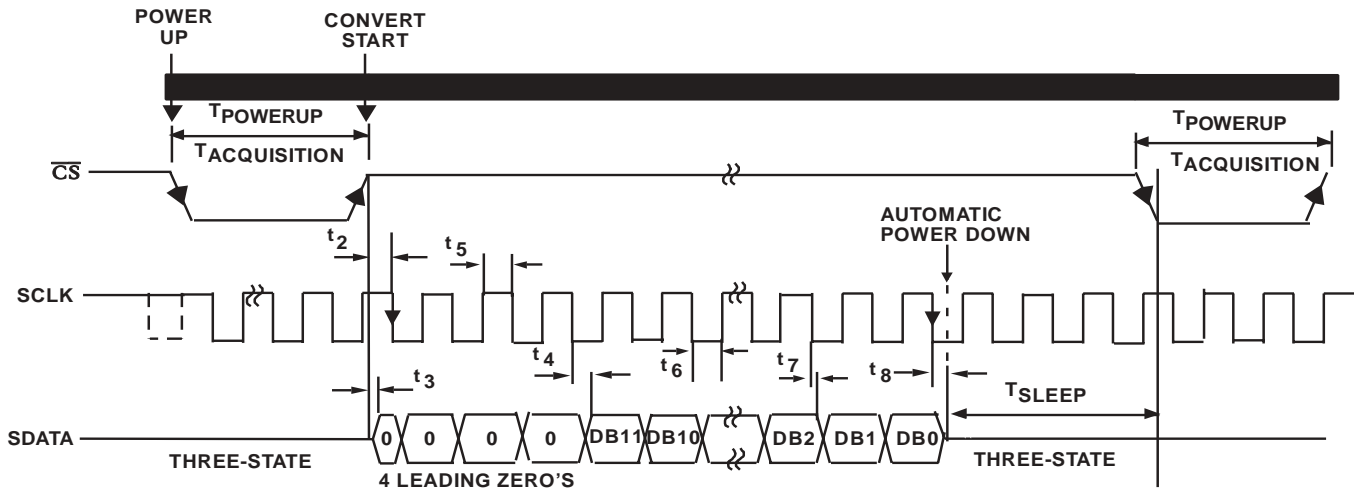


Figure 1. AD7457 Serial Interface Timing Diagram

**ABSOLUTE MAXIMUM RATINGS<sup>1</sup>**

(T<sub>A</sub> = +25°C unless otherwise noted)

V <sub>DD</sub> to GND	-0.3 V to +7 V
V <sub>IN+</sub> to GND	-0.3 V to V <sub>DD</sub> + 0.3 V
V <sub>IN-</sub> to GND	-0.3 V to V <sub>DD</sub> + 0.3 V
Digital Input Voltage to GND	-0.3 V to +7 V
Digital Output Voltage to GND	-0.3 V to V <sub>DD</sub> + 0.3 V
V <sub>REF</sub> to GND	-0.3 V to V <sub>DD</sub> + 0.3 V
Input Current to Any Pin Except Supplies <sup>2</sup>	±10mA
Operating Temperature Range	
Commercial (A, B Version)	-40°C to +85°C
Storage Temperature Range	-65°C to +150°C
Junction Temperature	+150°C
θ <sub>JA</sub> Thermal Impedance	205.9°C/W (μSOIC) 211.5°C/W (SOT-23)
θ <sub>JC</sub> Thermal Impedance	43.74°C/W (μSOIC) 91.99°C/W (SOT-23)
Lead Temperature, Soldering	
Vapor Phase (60 secs)	+215°C
Infrared (15 secs)	+220°C
ESD	3.5kV

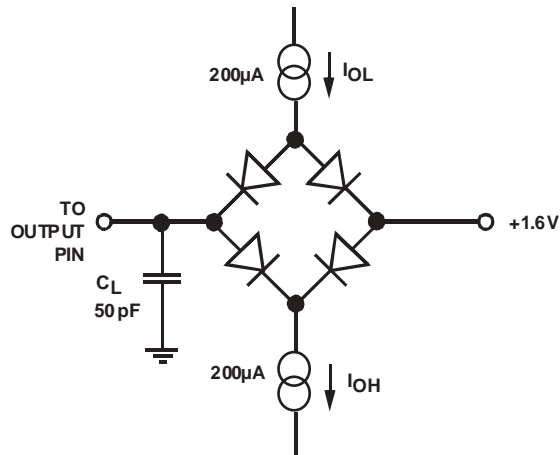


Figure 2. Load Circuit for Digital Output Timing Specifications

**NOTES**

<sup>1</sup>Stresses above those listed under “Absolute Maximum Ratings” may cause permanent damage to the device. This is a stress rating only and functional operation of the device at these or any other conditions above those listed in the operational sections of this specification is not implied. Exposure to absolute maximum rating conditions for extended periods may affect device reliability.

<sup>2</sup>Transient currents of up to 100 mA will not cause SCR latch up.

**ORDERING GUIDE**

Model	Range	Linearity Error (LSB) <sup>1</sup>	Package Option <sup>4</sup>	Branding Information
AD7457BRT	-40°C to +85°C	±1 LSB	RT-8	C0D
AD7457BRM	-40°C to +85°C	±1 LSB	RM-8	C0D
TBD <sup>2</sup>	Evaluation Board			
EVAL-CONTROL BRD2 <sup>3</sup>	Controller Board			

**NOTES**

<sup>1</sup>Linearity error here refers to Integral Non-linearity Error.

<sup>2</sup>This can be used as a stand-alone evaluation board or in conjunction with the EVALUATION BOARD CONTROLLER for evaluation/demonstration purposes.

<sup>3</sup>EVALUATION BOARD CONTROLLER. This board is a complete unit allowing a PC to control and communicate with all Analog Devices evaluation boards ending in the CB designators. To order a complete Evaluation Kit, you will need to order the ADC evaluation board i.e. TBD, the EVAL-CONTROL BRD2 and a 12V AC transformer. See the TBD technote for more information.

<sup>4</sup>S0 = SOIC; RM = μSOIC

**CAUTION**

ESD (electrostatic discharge) sensitive device. Electrostatic charges as high as 4000 V readily accumulate on the human body and test equipment and can discharge without detection. Although the AD7457 features proprietary ESD protection circuitry, permanent damage may occur on devices subjected to high-energy electrostatic discharges. Therefore, proper ESD precautions are recommended to avoid performance degradation or loss of functionality.

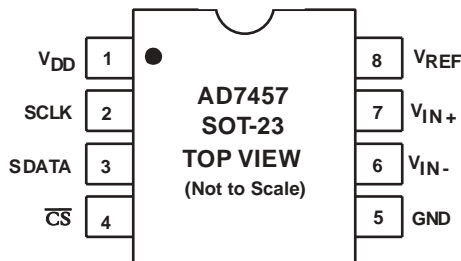


AD7457

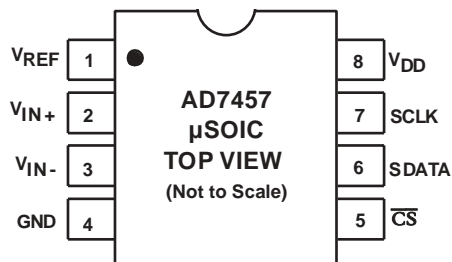
PIN FUNCTION DESCRIPTION

Pin Mnemonic	Function
V <sub>REF</sub>	Reference Input for the AD7457. An external 2.5 V reference must be applied to this input. This pin should be decoupled to GND with a capacitor of at least 0.1μF capacitor.
V <sub>IN+</sub>	Non-Inverting Input
V <sub>IN-</sub>	Inverting Input. This pin sets the ground reference point for the V <sub>IN+</sub> input. Connect to Ground or to a small DC offset to provide a pseudo ground.
GND	Analog Ground. Ground reference point for all circuitry on the AD7457. All analog input signals and any external reference signal should be referred to this GND voltage.
$\overline{CS}$	Chip Select. This input provides the dual function of powering up the device and initiating a conversion on the AD7457.
SDATA	Serial Data. Logic Output. The conversion result from the AD7457 is provided on this output as a serial data stream. The bits are clocked out on the falling edge of the SCLK input. The data stream of the AD7457 consists of four leading zeros followed by the 12 bits of conversion data which is provided MSB first. The output coding is straight (natural) binary.
SCLK	Serial Clock. Logic input. SCLK provides the serial clock for accessing data from the part. This clock input is also used as the clock source for the conversion process.
V <sub>DD</sub>	Power Supply Input. V <sub>DD</sub> is 2.7 V to 5.25 V. This supply should be decoupled to GND with a 0.1μF Capacitor and a 10μF Tantalum Capacitor.

PIN CONFIGURATION 8-LEAD SOT-23



PIN CONFIGURATION μSOIC



**TERMINOLOGY****Signal to (Noise + Distortion) Ratio**

This is the measured ratio of signal to (noise + distortion) at the output of the ADC. The signal is the rms amplitude of the fundamental. Noise is the sum of all nonfundamental signals up to half the sampling frequency ( $f_s/2$ ), excluding dc. The ratio is dependent on the number of quantization levels in the digitization process; the more levels, the smaller the quantization noise. The theoretical signal to (noise + distortion) ratio for an ideal N-bit converter with a sine wave input is given by:

$$\text{Signal to (Noise + Distortion)} = (6.02N + 1.76) \text{ dB}$$

Thus for a 12-bit converter, this is 74 dB,

**Total Harmonic Distortion**

Total harmonic distortion (THD) is the ratio of the rms sum of harmonics to the fundamental. For the AD7450, it is defined as:

$$\text{THD (dB)} = 20 \log \frac{\sqrt{V_2^2 + V_3^2 + V_4^2 + V_5^2 + V_6^2}}{V_1}$$

where  $V_1$  is the rms amplitude of the fundamental and  $V_2$ ,  $V_3$ ,  $V_4$ ,  $V_5$  and  $V_6$  are the rms amplitudes of the second to the sixth harmonics.

**Peak Harmonic or Spurious Noise**

Peak harmonic or spurious noise is defined as the ratio of the rms value of the next largest component in the ADC output spectrum (up to  $f_s/2$  and excluding dc) to the rms value of the fundamental. Normally, the value of this specification is determined by the largest harmonic in the spectrum, but for ADCs where the harmonics are buried in the noise floor, it will be a noise peak.

**Intermodulation Distortion**

With inputs consisting of sine waves at two frequencies,  $f_a$  and  $f_b$ , any active device with nonlinearities will create distortion products at sum and difference frequencies of  $m f_a \pm n f_b$  where  $m, n = 0, 1, 2, 3$ , etc. Intermodulation distortion terms are those for which neither  $m$  nor  $n$  are equal to zero. For example, the second order terms include  $(f_a + f_b)$  and  $(f_a - f_b)$ , while the third order terms include  $(2f_a + f_b)$ ,  $(2f_a - f_b)$ ,  $(f_a + 2f_b)$  and  $(f_a - 2f_b)$ .

The AD7457 is tested using the CCIF standard where two input frequencies near the top end of the input bandwidth are used. In this case, the second order terms are usually distanced in frequency from the original sine waves while the third order terms are usually at a frequency close to the input frequencies. As a result, the second and third order terms are specified separately. The calculation of the intermodulation distortion is as per the THD specification where it is the ratio of the rms sum of the individual distortion products to the rms amplitude of the sum of the fundamentals expressed in dBs.

**Aperture Delay**

This is the amount of time from the leading edge of the sampling clock until the ADC actually takes the sample.

**Aperture Jitter**

This is the sample to sample variation in the effective point in time at which the actual sample is taken.

**Full Power Bandwidth**

The full power bandwidth of an ADC is that input frequency at which the amplitude of the reconstructed fundamental is reduced by 0.1dB or 3dB for a full scale input.

**Integral Nonlinearity (INL)**

This is the maximum deviation from a straight line passing through the endpoints of the ADC transfer function.

**Differential Nonlinearity (DNL)**

This is the difference between the measured and the ideal 1 LSB change between any two adjacent codes in the ADC.

**Offset Error**

This is the deviation of the first code transition (000...000 to 000...001) from the ideal i.e.,  $V_{REF} + 1\text{LSB}$ .

**Gain Error**

This is the deviation of the last code transition (111...110 to 111...111) from the ideal i.e.,  $V_{REF} - 1\text{LSB}$ , after the Offset Error has been adjusted out.

**Track/Hold Acquisition Time**

The track/hold amplifier returns into track mode on the 13th SCLK rising edge (see the "Serial Interface Section").

**Power Supply Rejection Ratio (PSRR)**

The power supply rejection ratio is defined as the ratio of the power in the ADC output at full-scale frequency,  $f$ , to the power of a 200mV p-p sine wave applied to the ADC  $V_{DD}$  supply of frequency  $f_s$ . The frequency of this input varies from 1kHz to 1MHz.

$$\text{PSRR (dB)} = 10 \log (P_f/P_{f_s})$$

$P_f$  is the power at frequency  $f$  in the ADC output;  $P_{f_s}$  is the power at frequency  $f_s$  in the ADC output.

## AD7457

### SERIAL INTERFACE

Figure 1 shows a detailed timing diagram for the serial interface of the AD7457. The serial clock provides the conversion clock and also controls the transfer of data from the AD7457 during conversion.

The falling edge of  $\overline{CS}$  powers the part up and also puts the track and hold into track. The power up time is 1.4 $\mu$ sec minimum and in this time, the device also acquires the analog input signal.  $\overline{CS}$  must remain low for the duration of power up. The rising edge of  $\overline{CS}$  initiates the conversion process, puts the track and hold into hold mode and takes the serial data bus out of three-state. The conversion will require 16 SCLK cycles to complete.

On the 16th SCLK falling edge, after the time  $t_8$ , the serial data bus will go back into three-state, and the device will automatically enter full power down. It will remain powered down until the next falling edge of  $\overline{CS}$ .

If the falling edge of  $\overline{CS}$  occurs before the 16 bits of conversion data have been clocked out of the device, the conversion will be aborted, SDATA will go back into three-state and the track and hold will go back into track; thus the part will sample the analog input. On the next rising edge of  $\overline{CS}$ , a normal conversion will be initiated and the device will automatically powerdown at the end of the conversion as before.

The conversion result from the AD7457 is provided on the SDATA output as a serial data stream. The bits are clocked out on the falling edge of the SCLK input. The data stream of the AD7457 consists of four leading zeros followed by the 12 bits of conversion data which is provided MSB first. The output coding is straight (natural) binary.

16 serial clock cycles are therefore required to perform a conversion and to access data from the AD7457. A rising edge on  $\overline{CS}$  provides the first leading zero to be read in by the micro-controller or DSP. The remaining data is then clocked out on the subsequent SCLK falling edges beginning with the second leading zero. Thus the first falling clock edge on the serial clock after  $\overline{CS}$  has gone high provides the second leading zero. The final bit in the data transfer is valid on the 16th falling edge, having been clocked out on the previous (15th) falling edge.