

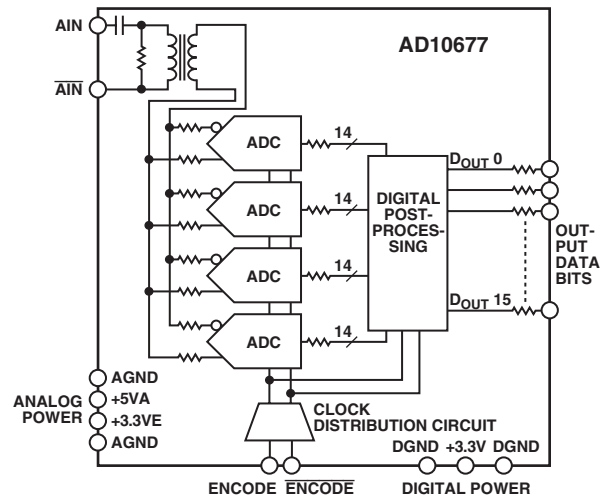
PERFORMANCE FEATURES

65 MSPS Sample Rate
80 dBFS Signal-to-Noise Ratio
Transformer Coupled Analog Input
Single PECL Clock Source
Digital Outputs
 True Binary Format
 3.3 V and 5 V CMOS Compatible

APPLICATIONS

Low Signature Radar
Medical Imaging
Communications Instrumentation
Instrumentation
Antenna Array Processing

FUNCTIONAL BLOCK DIAGRAM



GENERAL DESCRIPTION

The AD10677 is a 16-bit, high performance, analog-to-digital converter for applications that demand increased SNR levels. Exceptional noise performance and a typical signal-to-noise ratio of 80 dB is obtained by digitally post processing the outputs of four ADCs. Only a single analog input and PECL sampling clock are required as well as 3.3 V and 5 V power supplies.

The AD10677 is assembled using a 0.062" thick laminate board with three sets of connector interface pads to accommodate analog and digital isolation. Analog Devices recommends using the following connector from Samtec: FSI-110-03-G-D-AD-K-TR. The overall card fits a 2.2" × 2.8" PCB specified from 0°C to 70°C.

PRODUCT HIGHLIGHTS

1. Guaranteed sample rate of 65 MSPS
2. Input signal conditioning with optimized noise performance
3. Fully tested and guaranteed performance

REV. 0

Information furnished by Analog Devices is believed to be accurate and reliable. However, no responsibility is assumed by Analog Devices for its use, nor for any infringements of patents or other rights of third parties that may result from its use. No license is granted by implication or otherwise under any patent or patent rights of Analog Devices.

AD10677—SPECIFICATIONS

DC SPECIFICATIONS ($A_{V_{CC}} = 5\text{ V}$, $E_{V_{CC}} = 3.3\text{ V}$, $V_{DD} = 3.3\text{ V}$; $T_A = 25^\circ\text{C}$, Differential Encode = 65 MSPS, $C_{LOAD} \leq 10\text{ pF}$, unless otherwise noted.)

Parameter	Test Level	Min	Typ	Max	Unit
RESOLUTION					
Offset Error	I	-0.30	+0.12	+0.30	%FS
Gain Error	I	-7		+7	%FS
Differential Nonlinearity (DNL)	V		± 0.7		LSB
Integral Nonlinearity (INL)	V		± 4		LSB
TEMPERATURE DRIFT					
Offset Error	V		13		ppm/ $^\circ\text{C}$
Gain Error	V		200		ppm/ $^\circ\text{C}$
POWER SUPPLY REJECTION (PSRR)					
	V		60		dB
ANALOG INPUTS (A_{IN}, $\overline{A_{IN}}$)¹					
Differential Input Voltage Range	V		2.15		V p-p
Differential Input Resistance	V		50		Ω
Differential Input Capacitance	V		19		pF
Input Bandwidth	IV	0.40		210	MHz
VSWR ²	V		1.04:1		Ratio
POWER SUPPLY³					
Supply Current					
$I_{AV_{CC}}$ ($A_{V_{CC}} = 5.0\text{ V}$)	I		0.95	1.05	A
$I_{EV_{CC}}$ ($E_{V_{CC}} = 3.3\text{ V}$)	I		0.15	0.2	A
$I_{V_{DD}}$ ($V_{DD} = 3.3\text{ V}$)	I		0.49	0.625	A
Total Power Dissipation ⁴	I		6.86	7.5	W

NOTES

¹Measurement includes the recommended interface connector.

²Input VSWR, see TPC 6.

³Supply voltages should remain stable within $\pm 5\%$ for normal operation. However, rated ac (harmonics) performance is valid only over the range $A_{V_{CC}} = 5.0\text{ V}$ to 5.25 V .

⁴Power dissipation measures with encode at rated speed and -1 dBFS analog input at midband.

Specifications subject to change without notice.

DIGITAL SPECIFICATIONS ($A_{V_{CC}} = 5\text{ V}$, $E_{V_{CC}} = 3.3\text{ V}$, $V_{DD} = 3.3\text{ V}$; $T_A = 25^\circ\text{C}$, Differential Encode = 65 MSPS, $C_{LOAD} \leq 10\text{ pF}$, unless otherwise noted.)

Parameter	Test Level	Min	Typ	Max	Unit
ENCODE INPUTS ($\overline{\text{ENCODE}}$, $\overline{\overline{\text{ENCODE}}}$)					
Differential Input Voltage Range	IV	0.4			V p-p
Differential Input Resistance	V		100		Ω
Differential Input Capacitance	V		160		pF
LOGIC OUTPUTS (D15–D0)					
Logic Compatibility			CMOS		
Logic 1 Voltage— $I_{LOAD} \leq 100\text{ mA}$	IV		$0.9 \times V_{DD}$		V
Logic 0 Voltage— $I_{LOAD} \leq 100\text{ mA}$	IV		0.4		V
Output Coding			True Binary		
Series Output Resistance—per bit			120		Ω

Specifications subject to change without notice.

SWITCHING SPECIFICATIONS ($A_{V_{CC}} = 5\text{ V}$, $E_{V_{CC}} = 3.3\text{ V}$, $V_{DD} = 3.3\text{ V}$; $T_A = 25^\circ\text{C}$, Differential Encode = 65 MSPS, $C_{LOAD} \leq 10\text{ pF}$, unless otherwise noted.)

Parameter	Test Level	Min	Typ	Max	Unit
Maximum Conversion Rate	I	65			MSPS
Minimum Conversion Rate	IV			15	MSPS
Duty Cycle	IV	40		60	%

Specifications subject to change without notice.

AC SPECIFICATIONS ($V_{CC} = 5\text{ V}$, $E_{V_{CC}} = 3.3\text{ V}$, $V_{DD} = 3.3\text{ V}$; $T_A = 25^\circ\text{C}$, Differential Encode = 65 MSPS, $C_{LOAD} \leq 10\text{ pF}$, unless otherwise noted.)

Parameter	Test Level	Min	Typ	Max	Unit
SNR ¹					
Analog Input					
@ -1 dBFS	I	77.5	80		dBFS
2.5 MHz	I	77.5	80		dBFS
10 MHz	I	76.5	78.5		dBFS
30 MHz	I				
SINAD ²					
Analog Input					
@ -1 dBFS	I	77.2	79		dBFS
2.5 MHz	I	77.2	79		dBFS
10 MHz	I	74.5	77		dBFS
30 MHz	I				
SPURIOUS FREE DYNAMIC RANGE (SFDR) ³					
Analog Input					
@ -1 dBFS	I	84	92		dBFS
2.5 MHz	I	84	92		dBFS
10 MHz	I	79.5	84		dBFS
30 MHz	I				
TWO-TONE ⁴					
Analog Input					
@ -7 dBFS—IMD	V		96		dBFS
f1 = 10 MHz					
f2 = 12 MHz					

NOTES

¹Analog Input signal power at -1 dBFS; signal-to-noise (SNR) is the ratio of signal level to total noise (first five harmonics removed). Encode = 65 MSPS. SNR is reported in dBFS, related back to converter full scale.

²Analog Input signal power at -1 dBFS; signal-to-noise and distortion (SINAD) is the ratio of signal level to total noise + harmonics. Encode = 65 MSPS. SINAD is reported in dBFS, related back to converter full scale.

³Analog Input signal equal -1 dBFS; SFDR is ratio of converter full scale to worst spur.

⁴Both input tones at -7 dBFS; two tone intermodulation distortion (IMD) rejection is the ratio of either tone to the worst third-order intermod product.

Specifications subject to change without notice.

SWITCHING SPECIFICATIONS ($V_{CC} = 5\text{ V}$, $E_{V_{CC}} = 3.3\text{ V}$, $V_{DD} = 3.3\text{ V}$; $T_A = 25^\circ\text{C}$, Differential Encode = 65 MSPS, $C_{LOAD} \leq 10\text{ pF}$, unless otherwise noted.)

Parameter	Test Level	Min	Typ	Max	Unit
ENCODE INPUTS PARAMETERS					
Encode Period @ 65 MSPS— t_{ENC}	V		15.4		ns
Encode Pulsewidth High @ 65 MSPS— t_{ENCH}	V		7.7		ns
Encode Pulsewidth Low @ 65 MSPS— t_{ENCL}	V		7.7		ns
ENCODE/DATA (D15:0)					
Propagation Delay— t_{PDH}			6.7		ns
Valid Time— t_{PDL}			7.3		ns
APERTURE DELAY— t_A	V		480		ps
APERTURE UNCERTAINTY (JITTER)— t_j	V		500		ps rms
PIPELINE DELAYS	V		9		Cycles

Specifications subject to change without notice.

AD10677

ABSOLUTE MAXIMUM RATINGS*

AV _{CC} to AGND	0 V to +7 V
EV _{CC} to AGND	0 V to +6 V
V _{DD} to DGND	-0.5 V to +3.8 V
Analog Input Voltage	0 V to AV _{CC}
Analog Input Current	25 mA
Encode Input Voltage	0 V to 5 V
Digital Output Voltage	-0.5 V to V _{DD}
Maximum Junction Temperature	150°C
Storage Temperature Range Ambient	-65°C to +150°C
Maximum Operating Temperature Ambient	92°C

*Stresses above those listed under Absolute Maximum Ratings may cause permanent damage to the device. This is a stress rating only; functional operation of the device at these or any other conditions above those indicated in the operational sections of this specification is not implied. Exposure to absolute maximum rating conditions for extended periods may affect device reliability.

OPERATING RANGE*

Operating Ambient Temperature Range 0°C to 70°C

*See Thermal Considerations section

EXPLANATION OF TEST LEVELS

- I 100% production tested
- II 100% production tested at 25°C and sample tested at specified temperatures
- III Sample tested only
- IV Parameter is guaranteed by design and characterization testing
- V Parameter is a typical value only
- VI 100% production tested at 25°C; guaranteed by design and characterization testing for industrial temperature range; 100% production tested at temperature extremes for military devices

CAUTION

ESD (electrostatic discharge) sensitive device. Electrostatic charges as high as 4000 V readily accumulate on the human body and test equipment and can discharge without detection. Although the AD10677 features proprietary ESD protection circuitry, permanent damage may occur on devices subjected to high energy electrostatic discharges. Therefore, proper ESD precautions are recommended to avoid performance degradation or loss of functionality.

Table I. Output Coding (True Binary)

Code	AIN (V)	Digital Output
65535	+1.1	1111 1111 1111 1110
.	.	.
.	.	.
.	.	.
32768	0	1000 0000 0000 0000
32767	-0.000034	0111 1111 1111 1111
.	.	.
.	.	.
.	.	.
0	-1.1	0000 0000 0000 0000

ORDERING GUIDE

Model	Temperature Range	Package Option
AD10677BWS	0°C to 70°C (Ambient)	2.2" × 2.8"
AD10677/PCB	25°C	Evaluation Board



Test Circuits

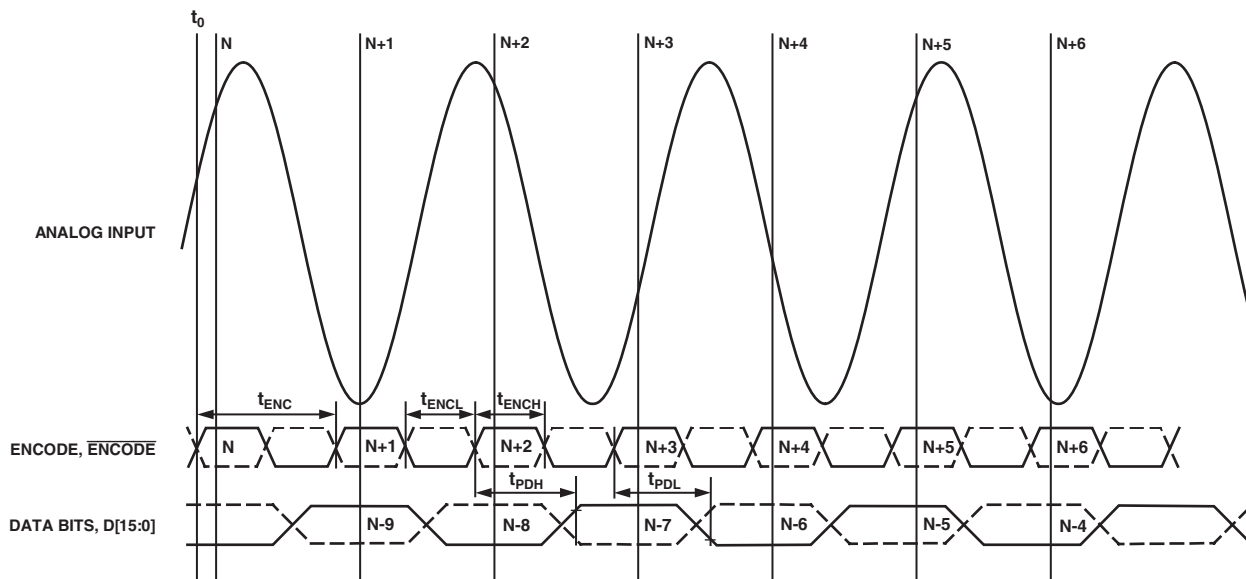


Figure 1. Timing Diagram

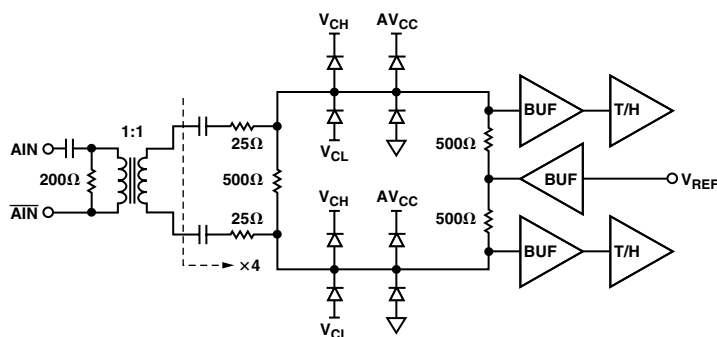


Figure 2. Analog Input Stage

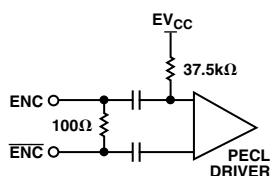


Figure 3. Equivalent Encode Input

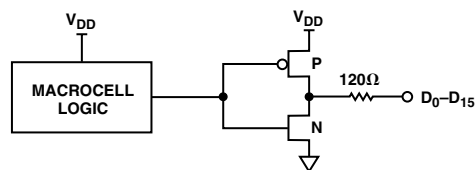


Figure 4. Digital Output Stage

INTERFACES 1 AND 2: DIGITAL PIN FUNCTION DESCRIPTIONS

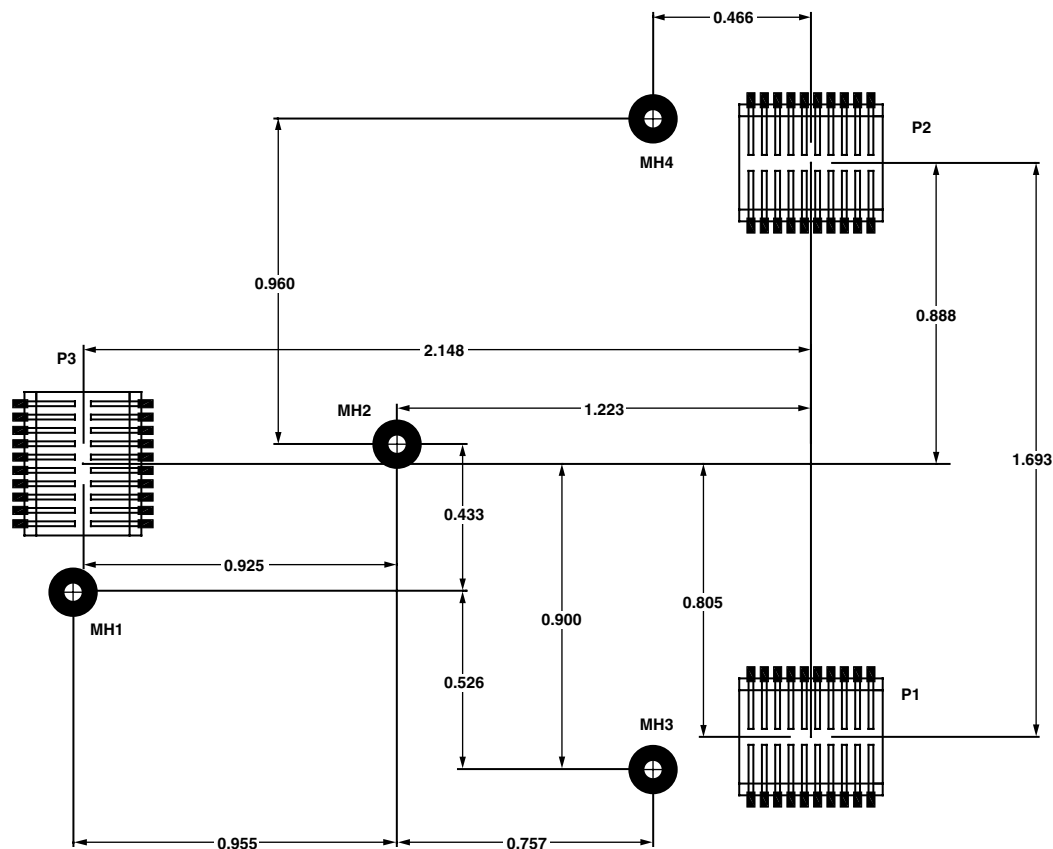
P1: Pin No.	Name	Function	P2: Pin No.	Name	Function
1	DGND	Digital Ground	1	DGND	Digital Ground
2	DGND	Digital Ground	2	DGND	Digital Ground
3	Dout15	Data Bit Output	3	+3.3VD	Digital Voltage
4	NC	No Connection	4	Dout0	Data Bit Output
5	Dout14	Data Bit Output	5	+3.3VD	Digital Voltage
6	DGND	Digital Ground	6	Dout1	Data Bit Output
7	Dout13	Data Bit Output	7	+3.3VD	Digital Voltage
8	NC	No Connection	8	Dout2	Data Bit Output
9	Dout12	Data Bit Output	9	DGND	Digital Ground
10	DGND	Digital Ground	10	Dout3	Data Bit Output
11	Dout11	Data Bit Output	11	DGND	Digital Ground
12	NC	No Connection	12	Dout4	Data Bit Output
13	Dout10	Data Bit Output	13	DGND	Digital Ground
14	DGND	Digital Ground	14	Dout5	Data Bit Output
15	Dout9	Data Bit Output	15	DGND	Digital Ground
16	NC	No Connection	16	Dout6	Data Bit Output
17	Dout8	Data Bit Output	17	+3.3VD	Digital Voltage
18	DGND	Digital Ground	18	Dout7	Data Bit Output
19	DGND	Digital Ground	19	+3.3VD	Digital Voltage
20	NC	No Connection	20	DGND	Digital Ground

INTERFACE 3: ANALOG PIN
FUNCTION DESCRIPTIONS

P3: Pin No.	Name	Function
1	+3.3VE	Encode Voltage
2	+5.0VA	Analog Voltage
3	+3.3VE	Encode Voltage
4	+5.0VA	Analog Voltage
5	AGND	Analog Ground
6	+5.0VA	Analog Voltage
7	AGND	Analog Ground
8	+5.0VA	Analog Voltage
9	AGND	Analog Ground
10	AGND	Analog Ground
11	AGND	Analog Ground
12	AIN	Analog Input
13	AGND	Analog Ground
14	$\overline{\text{AIN}}$	Analog Input
15	ENCODE	Encode Input
16	AGND	Analog Ground
17	$\overline{\text{ENCODE}}$	Encode Input
18	AGND	Analog Ground
19	AGND	Analog Ground
20	AGND	Analog Ground

TOP VIEW OF INTERFACE PCB ASSEMBLY

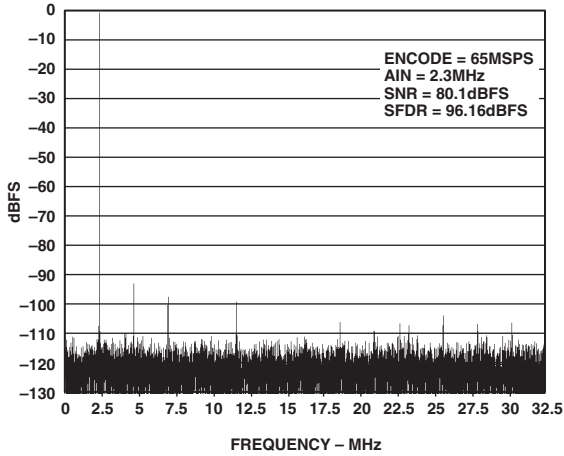
Dimensions shown in inches

Tolerances:
0.xx = ± 10 mils
0.xxx = ± 5 mils

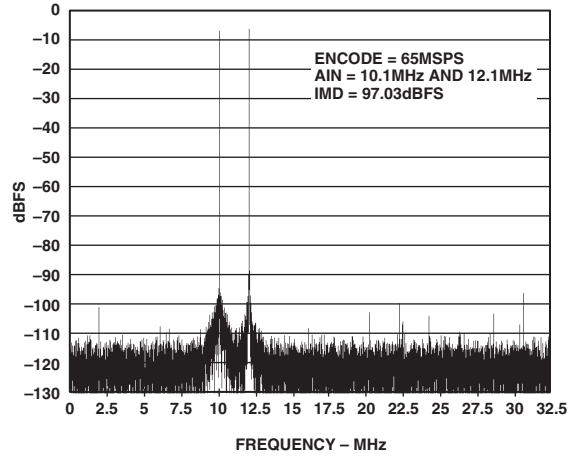
INTERFACE NOTES:
 SUGGESTED INTERFACE MANUFACTURER: SAMTEC
 INTERFACE PART NUMBERS FOR P1-P3: FSI-110-03-G-D-AD-K-TR (20-PIN)
 HOLES 1-4 ACCOMMODATE 2-56 THREADED HARDWARE. USE FOUR 2-56 NUTS FOR SECURING
 THE PART TO INTERFACE PCB.
 MANUFACTURER: BUILDING FASTENERS
 PART NUMBER: HNSS256
 DIGIKEY #: H723-ND

Figure 5. Header Interface Dimensions (Inches)

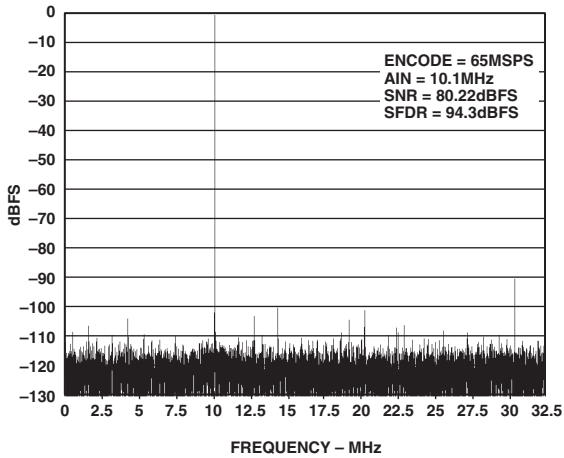
AD10677—Typical Performance Characteristics



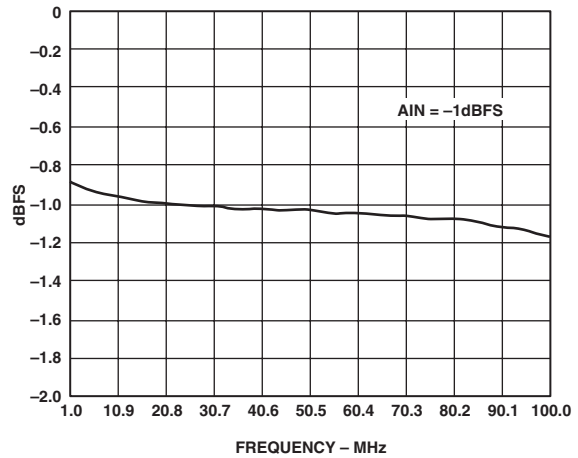
TPC 1. Single-Tone at 2.5 MHz



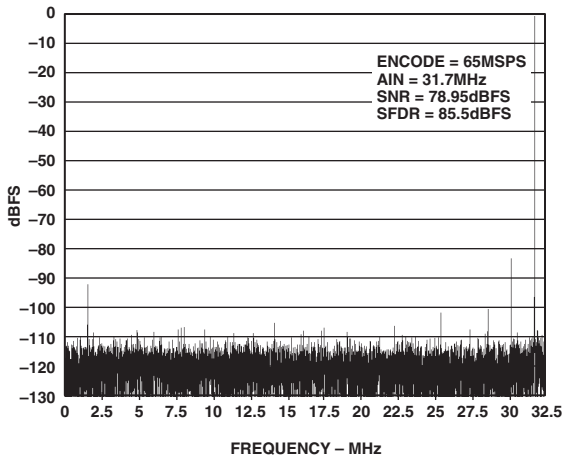
TPC 4. Two-Tone @ 10.1 MHz and 12.3 MHz



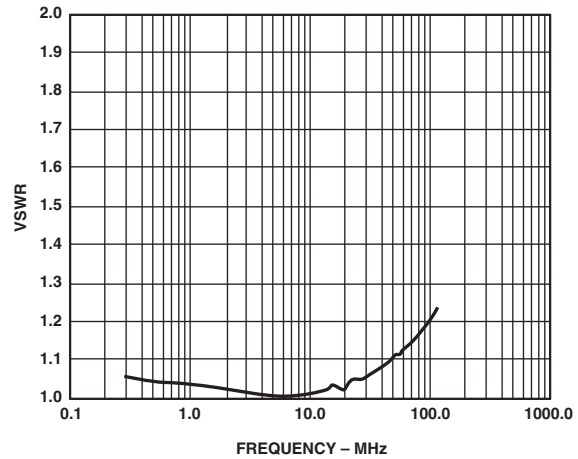
TPC 2. Single-Tone at 10 MHz



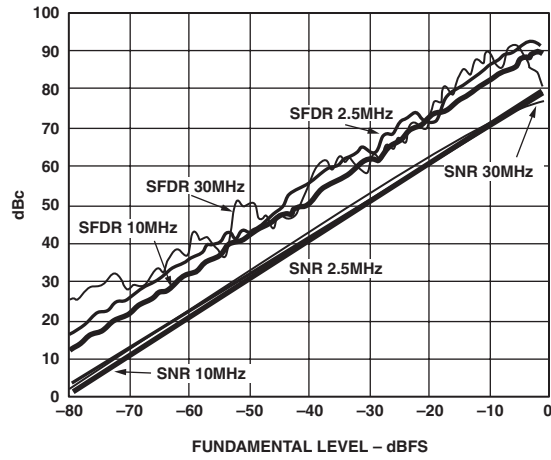
TPC 5. Gain Flatness



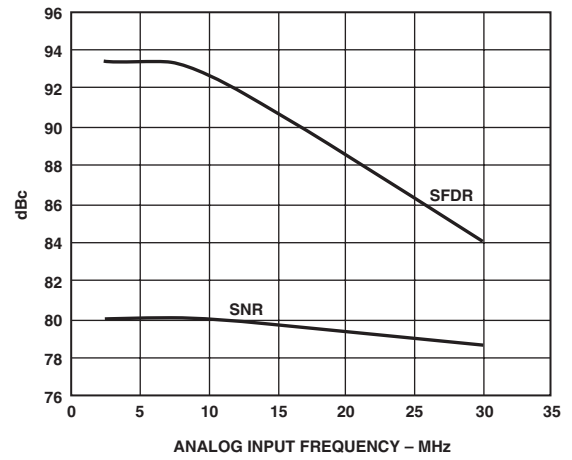
TPC 3. Single-Tone at 32 MHz



TPC 6. Analog Input VSWR



TPC 7. SFDR and SNR vs. Analog Input Level



TPC 8. SFDR and SNR vs. Analog Input Frequency

AD10677

DEFINITION OF SPECIFICATIONS

Analog Bandwidth

The analog input frequency at which the spectral power of the fundamental frequency (as determined by the FFT analysis) is reduced by 3 dB.

Aperture Delay

The delay between the 50% point on the rising edge of the ENCODE command and the instant at which the analog input is sampled.

Aperture Uncertainty (Jitter)

The sample-to-sample variation in aperture delay.

Differential Nonlinearity

The deviation of any code from an ideal 1 LSB step.

Integral Nonlinearity

The deviation of the transfer function from a reference line measured in fractions of 1 LSB using a “best straight line” determined by a least square curve fit.

Encode Pulsewidth/Duty Cycle

Pulsewidth high is the minimum amount of time that the ENCODE pulse should be left in Logic 1 state to achieve rated performance; pulsewidth low is the minimum time ENCODE pulse should be left in low state. At a given clock rate, these specifications define an acceptable Encode duty cycle.

Harmonic Distortion

The ratio of the rms signal amplitude to the rms value of the worst harmonic component.

Minimum Conversion Rate

The encode rate at which the SNR of the lowest analog signal frequency drops by no more than 3 dB below the guaranteed limit.

Maximum Conversion Rate

The encode rate at which parametric testing is performed.

Output Propagation Delay

The delay between the 50% point of the rising edge of the ENCODE command and the time when all output data bits are within valid logic levels.

Power Supply Rejection Ratio

The ratio of a change in output offset voltage to a change in power supply voltage.

Signal-to-Noise-and-Distortion (SINAD)

The ratio of the rms signal amplitude (set at 1 dB below full scale) to the rms value of the sum of all other spectral components, excluding the first five harmonics and dc. May be reported in dBc (i.e., degrades as signal levels is lowered) or in dBFS (always related back to converter full scale).

Signal-to-Noise Ratio (without Harmonics)

The ratio of the rms signal amplitude (set at 1 dB below full scale) to the rms value of the sum of all other spectral components, excluding the first five harmonics and dc. May be reported in dBc (i.e., degrades as signal level is lowered) or in dBFS (always related back to converter full scale).

Spurious-Free Dynamic Range

The ratio of the rms signal amplitude to the rms value of the peak spurious spectral component. The peak spurious component may or may not be a harmonic. May be reported in dBc (i.e., degrades as signal level is lowered) or in dBFS (always related back to converter full scale).

Two-Tone Intermodulation Distortion Rejection

The ratio of the rms value of either input tone to the rms value of the worst third-order intermodulation product; reported in dBc.

Voltage Standing-Wave Ratio (VSWR)

The ratio of the amplitude of the elective field at a voltage maximum to that at an adjacent voltage minimum.

THERMAL CONSIDERATIONS

Due to the high power nature of the part, it is critical that the following thermal conditions be met for the part to perform to data sheet specifications. This also ensures that the maximum junction temperature (150°C) is not exceeded.

- Operation temperature (t_A) must be within 0° to 70°C.
- All mounting standoff's should be fastened to the interface PCB assembly with 2-56 nuts. This ensures good thermal paths as well as excellent ground points.
- The unit rises to ~72°C (t_C) on the heat sink in still air (0 linear feet per minute (LFM)). 100 linear feet per minute (LFM) in either direction across the heat sink is the minimum recommended air flow. See Figure 6.

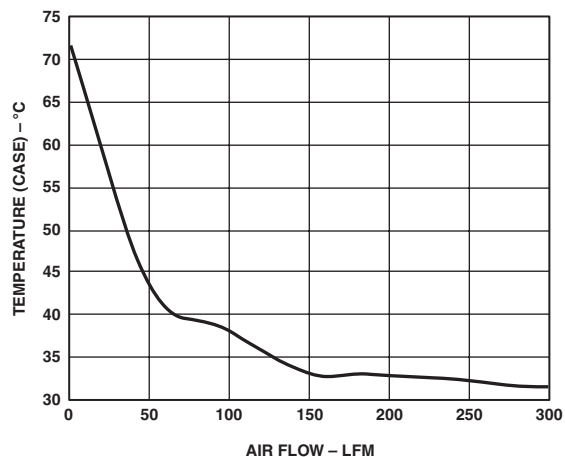


Figure 6. Temperature (Case) vs. Air Flow (Ambient)

THEORY OF OPERATION

The AD10677 employs four parallel high speed analog-to-digital converters in a correlation technique, which improves the dynamic range of the ADCs. The technique consists of summing the parallel outputs of the four converters to reduce the uncorrelated noise introduced by the individual converters.

Signals processed through the high speed adder are correlated and summed coherently. Noise is not correlated and sums on an rms basis.

The four high speed analog-to-digital converters employ three-stage subrange architecture. The AD10677 provides complementary analog input pins, AIN and $\overline{\text{AIN}}$. Each analog input is centered around 2.4 V and should swing ± 0.55 V around the reference. Since AIN and $\overline{\text{AIN}}$ are 180 degrees out of phase, the differential analog input signal is 2.15 V p-p.

The analog input is designed to meet a 50 Ω input impedance for ease of interface to commercially available cables, filters, and drivers, among others.

The AD10677 encode inputs are ac-coupled to a PECL differential receiver/driver. The output of the receiver/driver provides a clock source for a 1:5 PECL Clock driver and a PECL to TTL translator. The 1:5 PECL Clock driver provides the differential encode signal for each the four high speed analog-to-digital converters. The PECL to TTL translator is used to provide a clock source for the Complex Programmable Logic Device (CPLD).

The digital outputs from the four ADCs drive 120 Ω series output terminators and are applied to the CPLD for post processing. The digital outputs are added together in the Complex Programmable Logic Device through a ripple-carry adder, which provides the 16-bit data output. The AD10677 provides valid data following nine pipeline delays. The result is a 16-bit parallel digital CMOS compatible word coded as true binary.

INPUT STAGE

The user is provided with a single to differential transformer coupled input. The input impedance is 50 Ω and requires a 2.15 V p-p input level to achieve full scale.

ENCODING THE AD10677

The AD10677 encode signal must be a high quality, low phase noise source to prevent performance degradation. The clock input must be treated as an analog input signal as aperture jitter may affect dynamic performance. For optimum performance, the AD10677 must be clocked differentially.

OUTPUT LOADING

Care should be taken when designing the data receivers for the AD10677. The Complex Programmable Logic Device 16-bit outputs drive 120 Ω series resistors to limit the amount of current

that can flow into the output stage. To minimize capacitive loading there should only be one gate on each of the output pins. A typical CMOS gate combined with the PCB trace has a load of approximately 10 pF. It should be noted that extra capacitive loading increases output timing and invalidate timing specifications. Digital output timing is guaranteed with 10 pF.

ANALOG AND DIGITAL POWER SUPPLIES

Care must be taken when selecting a power source. Linear supplies are recommended. Switching supplies tend to have radiated components that may be coupled into the ADCs. The AD10677 features separate analog and digital supply and ground currents, helping to minimize digital corruption of sensitive analog signals.

The 3.3 V supply provides power for the output section of the ADCs, the CPLD, and the clock circuit. The +3.3VE supply provides power to the clock distribution circuit. The +3.3VD supply provides power to digital output section of the ADCs, the PCEL to TTL translator, and the CPLD. Separate +3.3VE and +3.3VD supplies are utilized to prevent modulation of the clock signal with digital noise. The 5 V supply provides power to the analog sections of the ADCs. Decoupling capacitors are strategically placed throughout the circuit to provide low impedance noise shunts to ground. The +5VA supply (analog power) should be decoupled to AGND (analog ground) and +3.3VD (digital power) should be decoupled to DGND (digital ground). The +3.3VE supply (analog power) should be decoupled to AGND. The evaluation board schematic and layout data provide a typical PCB implementation of the AD10667.

ANALOG AND DIGITAL GROUNDING

While the AD10677 provides separate analog and digital ground pins, the device should be treated as an analog component. Proper grounding is essential in high speed, high resolution systems. Multilayer printed circuit boards are recommended to provide optimal grounding and power distribution. The use of power and ground planes provides distinct advantages. Power and ground planes minimize the loop area encompassed by a signal and its return path, minimize the impedance associated with power and ground paths, and provide a distributed capacitor formed by the power plane printed circuit board material and ground plane. The AD10677 unit is provided with four metal standoffs (see Figure 5). MH2 is located in the center of the unit and MH1 is located directly below analog header P3. Both of these standoffs are tied to analog ground and should be connected accordingly on the next level assembly for optimum performance. The two stand-offs located near P1 and P2 (MH3 and MH4) are tied to digital ground and should be connected accordingly on the next level assembly.

AD10677

OTHER NOTES

The circuit is configured on a 2.2" × 2.8" laminate board with three sets of connector interface pads. The pads are configured in such a way that easy "keying" is provided to the user. The pads are made for low profile applications and have a total height of 0.12" after mating. The part numbers for the header mates are provided in Figure 5. All pins of the analog and digital sections are described in the Pin Function Description tables.

EVALUATION BOARD

The AD10677 evaluation board provides an easy way to test the 16-bit 65 MSPS A/D converter. The board requires a clock source, an analog input signal, two 3.3 V power supplies, and a

5 V power supply. The clock source is buffered on the board to provide the clock for the AD10677, a latch, and a data ready signal. The ADC digital outputs are latched on board by a 74LCX16374. The digital outputs and output clock are available on a 40-pin connector J1. Power is supplied to the board via uninsulated metal banana jacks.

The analog input is connected via an SMA connector AIN. The analog input section provides for a single-ended input option or a differential input option. The board is shipped in a single-ended analog input option. Removing a ground tie at E17 converts the circuit to a differential analog input configuration.

PCB BILL OF MATERIAL

Item	Quantity	Reference Designator	Description
1	1	J1	Connector, 40-position Header, Male Straight
2	1	U1	IC, LV 16-Bit D-Type Flip-Flop w/5 V Tolerant IO
3	3	L1-L3	Common-Mode Surface-Mount Ferrite Bead 20 Ω
4	3	J11-J13	Connector, 1 mm Single Element Interface
5	6	P1, P2, P8-P10, P12	Uninsulated BANANA JACK All Metal
6	2	U5, U6	IC, 3.3 V/5 V ECL Differential Receiver/Driver
7	1	U7	IC, 3.3 V Dual Differential LVPECL to LVTTTL Translator
8	1	R24	RES 0.0 Ω 1/10 W 5% 0805 SMD
9	19	R0-R16, R20, R23	RES 51.1 Ω 1/10 W 1% 0805 SMD
10	1	R17	RES 18.2 kΩ 1/10 W 1% 0805 SMD
11	4	R18, R19, R21, R22	RES 100 Ω 1/10 W 1% 0805 SMD
12	17	C1, C10-C13, C16-C18, C23-C26, C29-C32	CAP 0.1 μF 16 V CERAMIC X7R 0805
13	6	C8, C9, C4, C15, C27, C33	CAP 10 μF 10 V CERAMIC Y5V 1206
14	4	J2, J3, J5, J6	CONNECTOR, SMA JACK 200 Mil STR GOLD
15	1	A1	ASSEMBLY, AD10677BWS
16	1	AD106xx Evaluation Board	GS04483 (PCB)

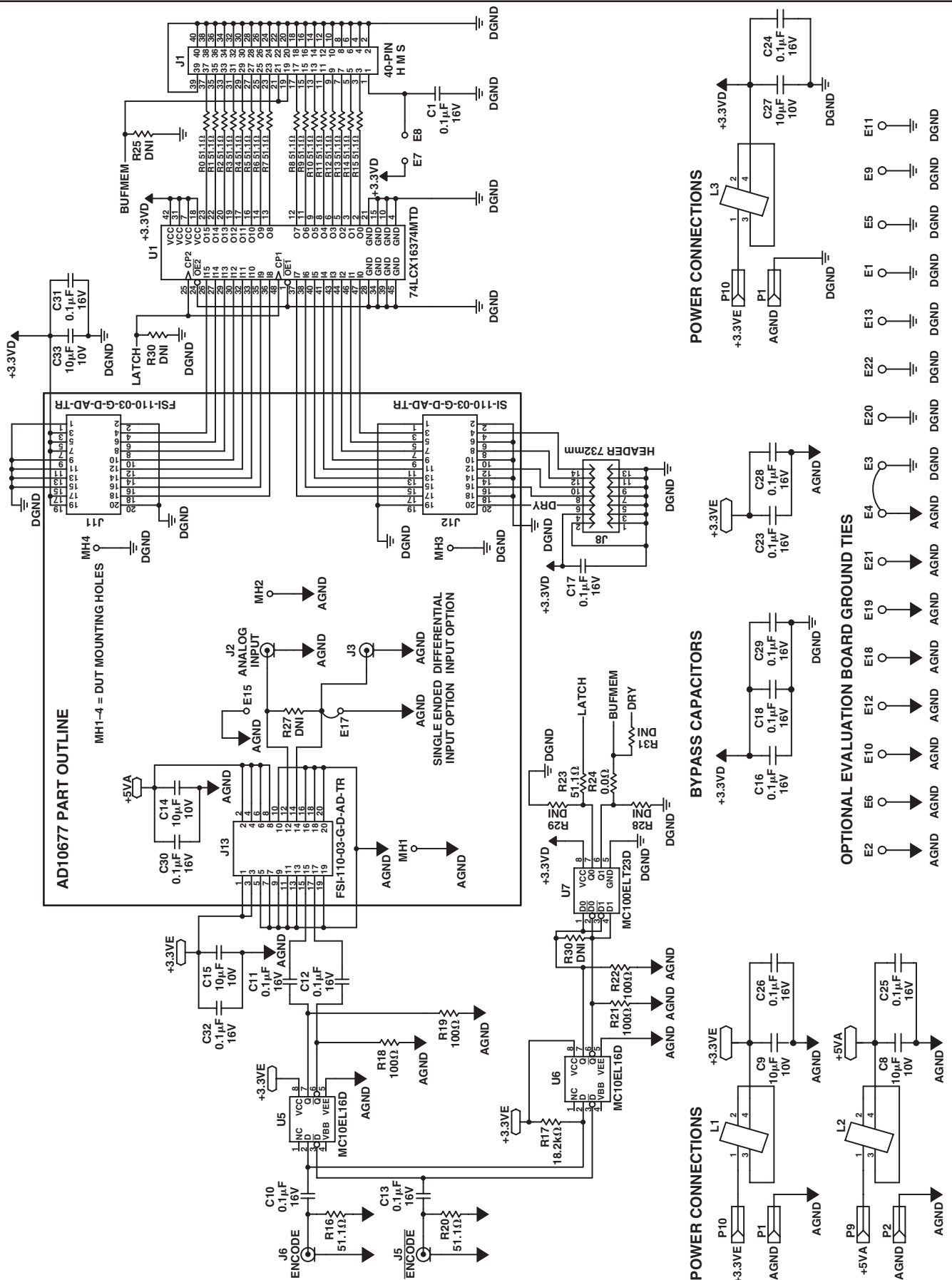


Figure 7. Evaluation Board Schematic

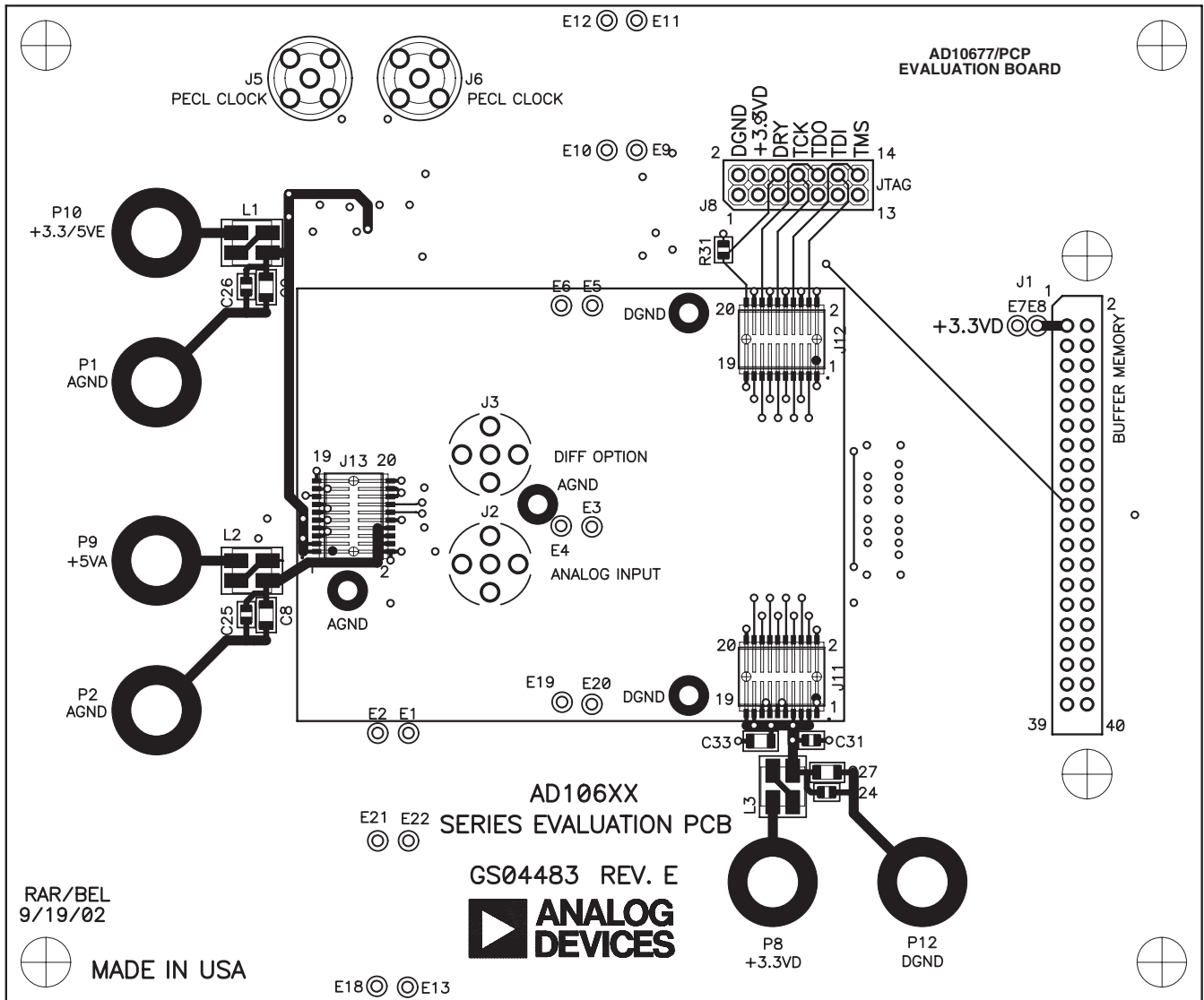


Figure 8a. Evaluation Board Mechanical Layout Top View

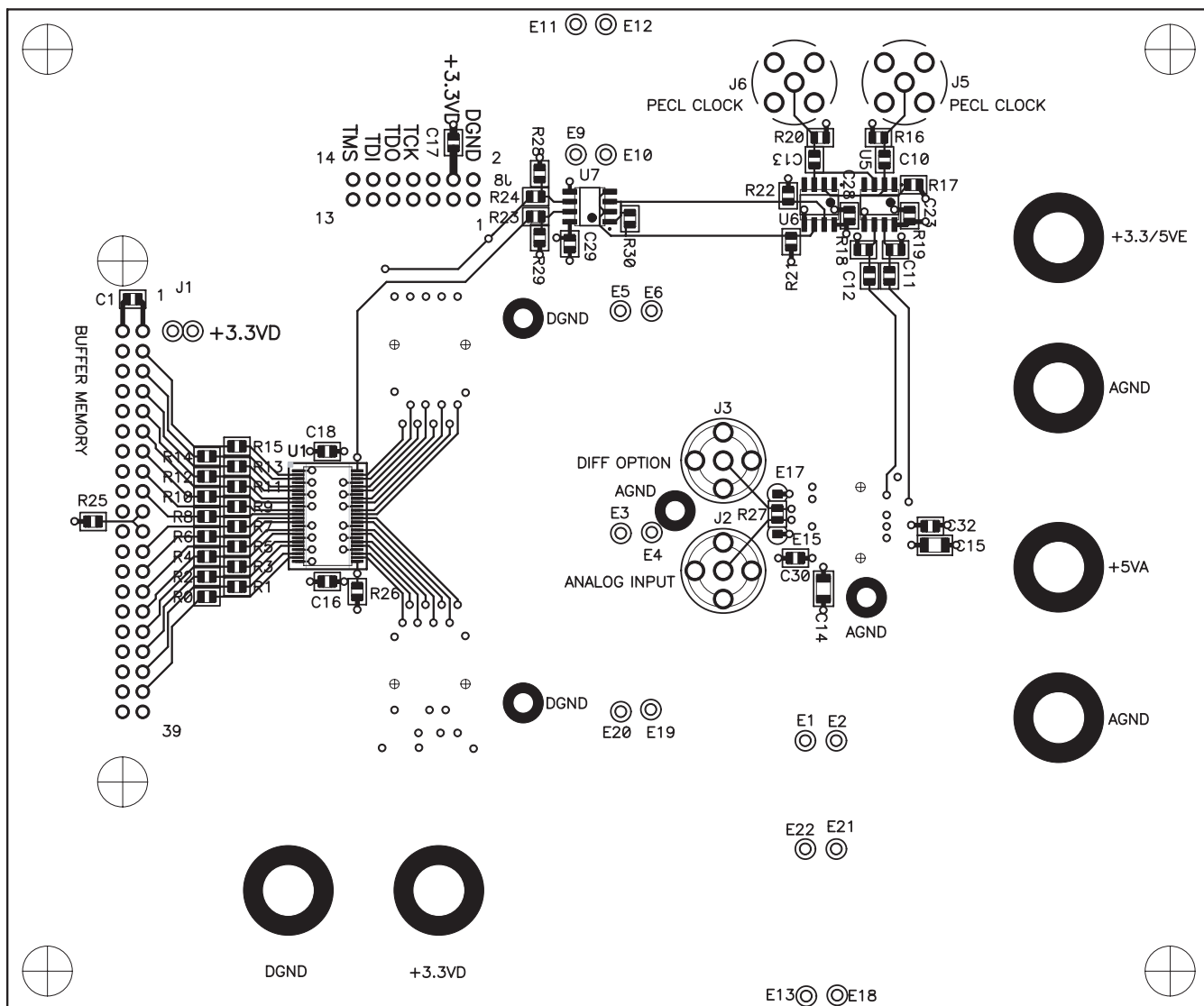


Figure 8b. Evaluation Board Mechanical Layout Bottom View

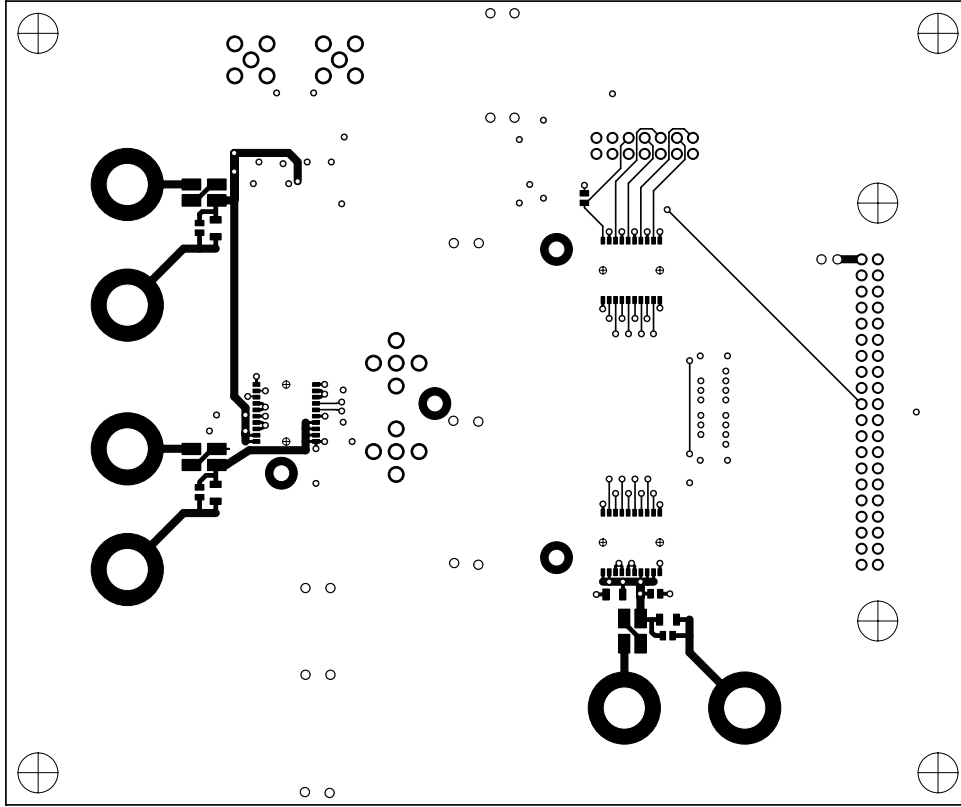


Figure 8c. Evaluation Board Top Layer Copper

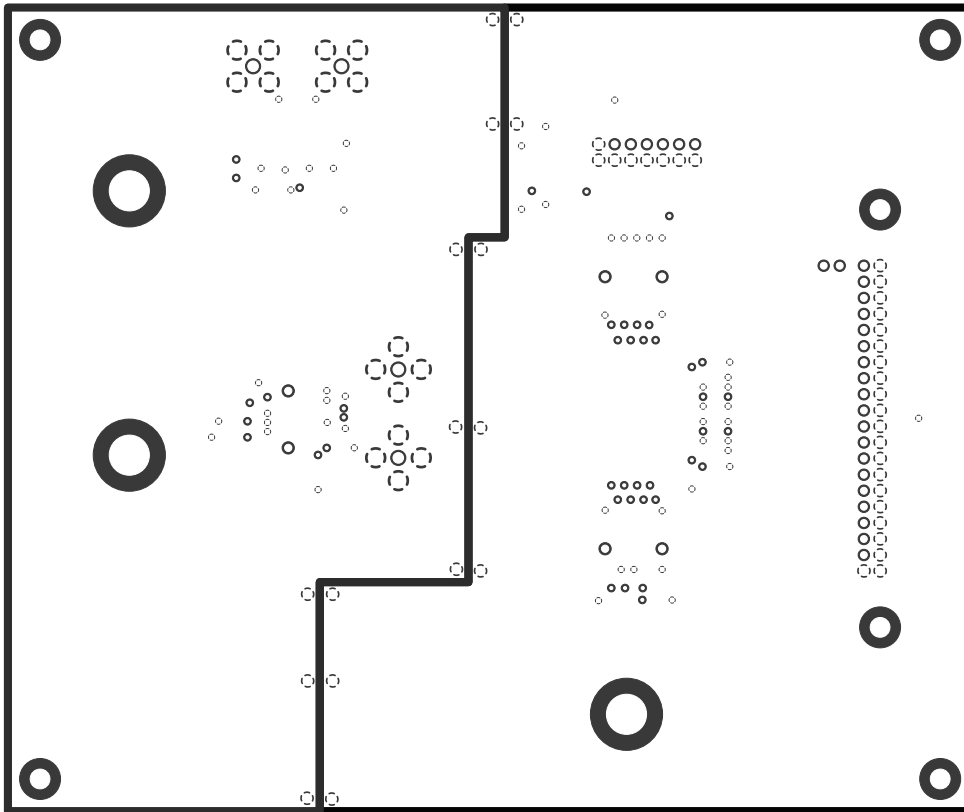


Figure 8d. Evaluation Board Second Layer Copper

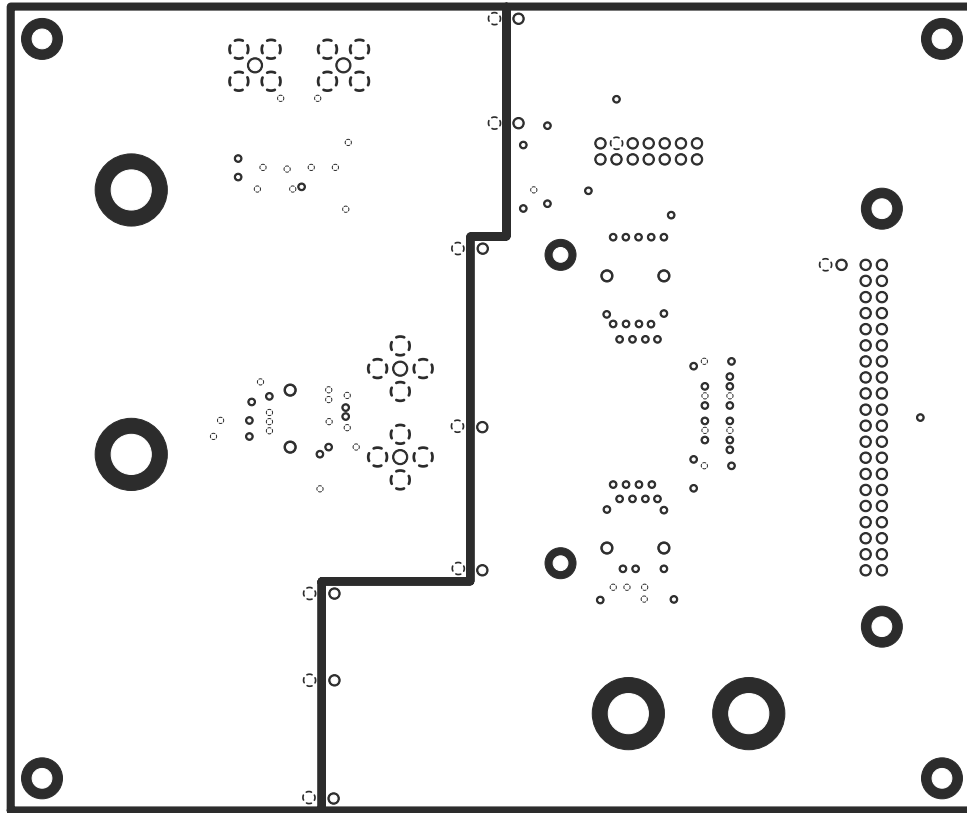


Figure 8e. Evaluation Board Third Layer Copper

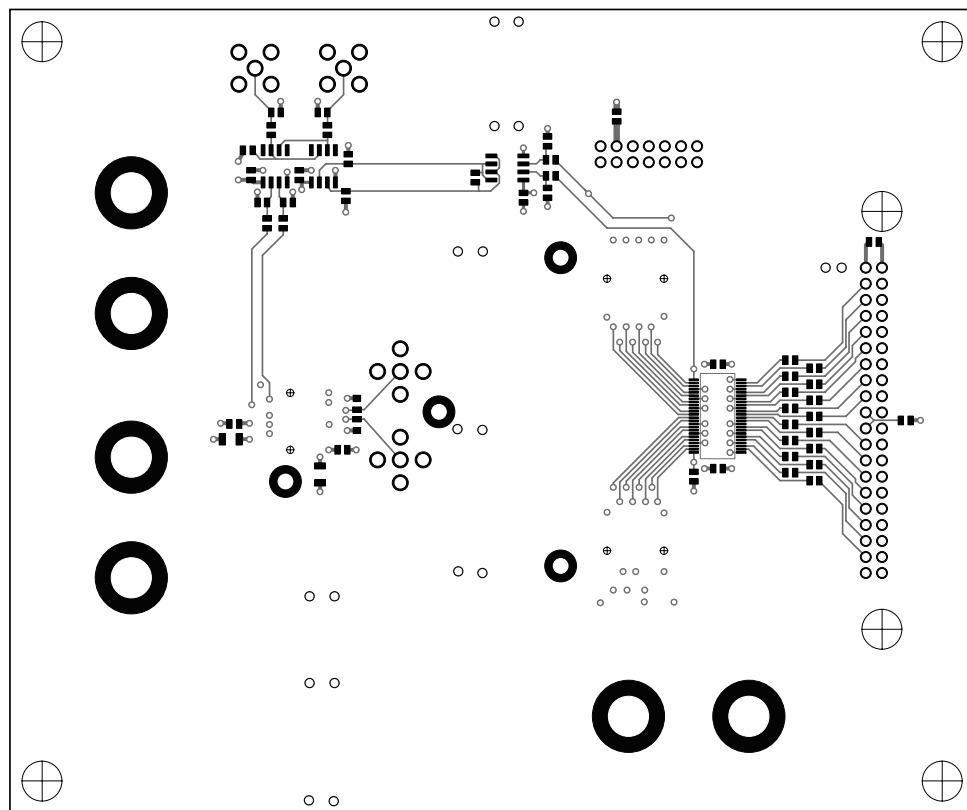


Figure 8f. Evaluation Board Bottom Layer Copper

OUTLINE DIMENSIONS

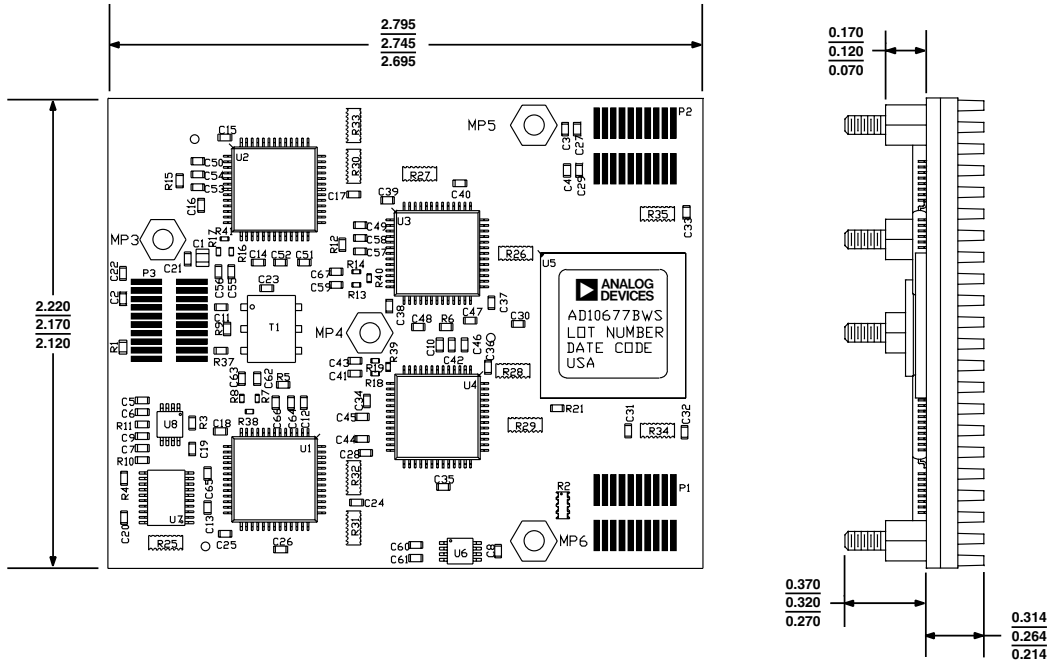
Dimensions shown in millimeters

Tolerances:

0.xx = ±10 mils

0.xxx = ±5 mils

Bottom View



Top View

