

## 54ACTQ/74ACTQ841 Quiet Series 10-Bit Transparent Latch with TRI-STATE® Outputs

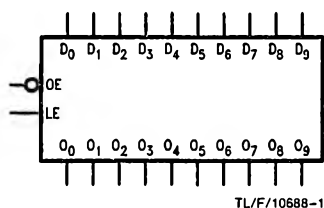
### General Description

The 'ACTQ841 bus interface latch is designed to eliminate the extra packages required to buffer existing latches and provide extra data width for wider address/data paths or buses carrying parity. The '841 is a 10-bit transparent latch, a 10-bit version of the '373. The 'ACTQ841 utilizes NSC Quiet Series technology to guarantee quiet output switching and improved dynamic threshold performance, FACT Quiet Series™ features GTOT™ output control and undershoot corrector in addition to a split ground bus for superior performance.

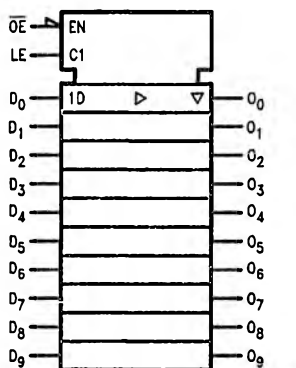
### Features

- Guaranteed simultaneous switching noise level and dynamic threshold performance
- Guaranteed pin-to-pin skew AC performance
- Inputs and outputs on opposite sides of package allow easy interface with microprocessors
- Improved latch-up immunity
- Outputs source/sink 24 mA
- 'ACTQ841 has TTL-compatible inputs
- 4 kV minimum ESD immunity

### Logic Symbols



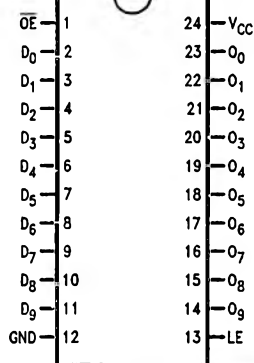
TL/F/106888-1



TL/F/106888-2

### Connection Diagrams

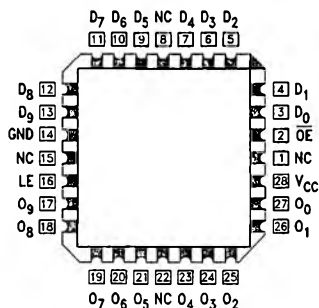
Pin Assignment for DIP, Flatpak and SOIC



TL/F/106888-3

Pin Names	Description
D <sub>0</sub> -D <sub>9</sub>	Data Inputs
O <sub>0</sub> -O <sub>9</sub>	TRI-STATE Outputs
OE	Output Enable
LE	Latch Enable

Pin Assignment for LCC



TL/F/106888-4