

LINEAR INTEGRATED CIRCUITS

DESCRIPTION

The 5596 is a monolithic Double-Balanced Modulator/Demodulator designed for use where the output voltage is a product of an input voltage (signal) and a switched function (carrier). The S5596 will operate over the full military temperature range of -55°C to $+125^{\circ}\text{C}$. The N5596 is intended for applications within the range of 0°C to $+70^{\circ}\text{C}$.

FEATURES

- EXCELLENT CARRIER SUPPRESSION
 - 65dB typ @ 0.5 MHz
 - 50dB typ @ 10 MHz
- ADJUSTABLE GAIN AND SIGNAL HANDLING
- BALANCED INPUTS AND OUTPUTS
- HIGH COMMON-MODE REJECTION – 85dB typ

APPLICATIONS

- SUPPRESSED CARRIER AND AMPLITUDE MODULATION
- SYNCHRONOUS DETECTION
- FM DETECTION
- PHASE DETECTION
- SAMPLING
- SINGLE SIDEBAND
- FREQUENCY DOUBLING

ABSOLUTE MAXIMUM RATINGS

Applied Voltage (Note 1)	30V
Differential Input Signal ($V_7 - V_8$)	$\pm 5.0\text{V}$
Differential Input Signal ($V_4 - V_1$)	$\pm(5 + I_5 R_e)\text{V}$
Input Signal ($V_2 - V_1, V_3 - V_4$)	5.0V
Bias Current (I_5)	10mA
Power Dissipation (Pkg. Limitation)	

K-Package	680mW
Derate above 25°C	5.4mW/ $^{\circ}\text{C}$

A-Package (TO-116)	900mW
Derate above 25°C	7.2mW/ $^{\circ}\text{C}$

Operating Temperature Range	-55°C to $+125^{\circ}\text{C}$
Storage Temperature Range	-65°C to $+150^{\circ}\text{C}$

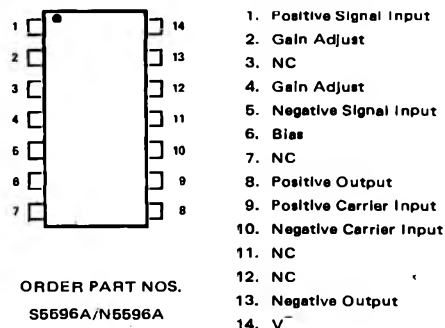
NOTES:

1. Voltage applied between pins 6-7, 8-1, 9-7, 9-8, 7-4, 7-1, 8-4, 6-8, 2-5, 3-5.
2. Pin number references pertain to K package pinout only.

PIN CONFIGURATIONS

A PACKAGE

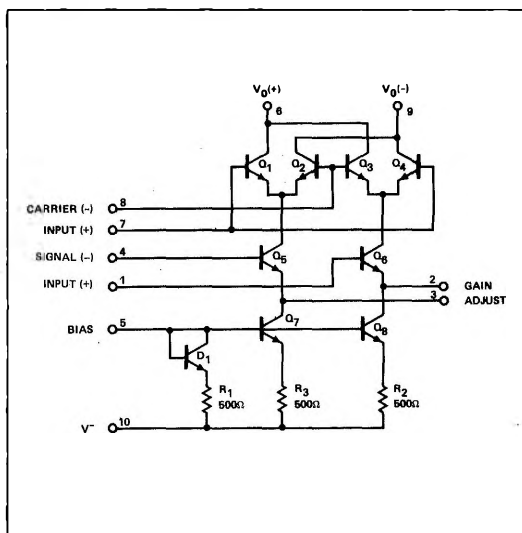
(Top View)



K PACKAGE



SCHEMATIC DIAGRAM



ELECTRICAL CHARACTERISTICS*

(All input and output characteristics are single-ended unless otherwise noted.)

PARAMETER	S5596			N5596			UNITS
	MIN	TYP	MAX	MIN	TYP	MAX	
Carrier Feedthrough $V_C = 60$ mV (rms) sine wave and offset adjusted to zero $f_C = 1.0$ kHz $f_C = 10$ MHz		40 140			40 140		μ V (rms)
$V_C = 300$ mVp-p square wave: offset adjusted to zero offset not adjusted $f_C = 1.0$ kHz $f_C = 1.0$ kHz		0.04 20	0.2 100		0.04 20	0.4 200	mV (rms)
CarrierSuppressions $f_S = 10$ kHz, 300 mV (rms) $f_C = 500$ kHz, 60 mV (rms) sine wave $f_C = 10$ MHz, 60 mV (rms) sine wave	50	65 50		40	65 50		dB
Transadmittance Bandwidth (Magnitude) ($R_L = 50\Omega$) Carrier Input Port, $V_C = 60$ mV (rms) sine wave $f_S = 1.0$ kHz, 300 mV (rms) sine wave Signal Input Port, $V_S = 300$ mV (rms) sine wave $ V_C = 0.5$ V dc		300 80			300 80		MHz
Signal Gain $V_S = 100$ mV (rms), $f = 1.0$ kHz; $ V_C = 0.5$ V dc	2.5	3.5		2.5	3.5		V/V
Single-Ended Input Impedance, Signal Port, $f = 5.0$ MHz Parallel Input Resistance Parallel Input Capacitance		200 2.0			200 2.0		$k\Omega$ pF
Single-Ended Output Impedance, $f = 10$ MHz Parallel Output Resistance Parallel Output Capacitance		40 5.0			40 5.0		$k\Omega$ pF
Input Bias Current $I_{bS} = \frac{I_1 + I_4}{2}$; $I_{bC} = \frac{I_7 + I_8}{2}$		12 12	25 25		12 12	30 30	μ A
Input Offset Current $I_{ioS} = I_1 - I_4$; $I_{ioC} = I_7 - I_8$		0.7 0.7	5.0 5.0		0.7 0.7	7.0 7.0	μ A
Average Temperature Coefficient of Input Offset Current ($T_A = -55^\circ\text{C}$ to $+125^\circ\text{C}$)		2.0			2.0		nA/ $^\circ\text{C}$
Output Offset Current ($I_6 - I_9$)		14	50		15	80	μ A
Average Temperature Coefficient of Output Offset Current ($T_A = -55^\circ\text{C}$ to $+125^\circ\text{C}$)		90			90		nA/ $^\circ\text{C}$
Common-Mode Input Swing, Signal Port, $f_S = 1.0$ kHz		5.0			5.0		Vp-p
Common-Mode Gain, Signal Port, $f_S = 1.0$ kHz, $ V_C = 0.5$ V dc		-85			-85		dB
Common-Mode Quiescent Output Voltage (Pin 6 or Pin 9)		8.0			8.0		Vdc
Differential Output Voltage Swing Capability		8.0			8.0		Vp-p
Power Supply Current $I_6 + I_9$ I_{10}		2.0 3.0	3.0 4.0		2.0 3.0	4.0 5.0	mAdc
DC Power Dissipation		33			33		mW

($V^+ = +12$ V dc, $V^- = -8.0$ V dc, $I_5 = 1.0$ mA dc, $R_L = 3.9$ k Ω , $R_e = 1.0$ k Ω , $T_A = +25^\circ\text{C}$ unless otherwise noted)

*Pin number references pertain to K package pinout only.