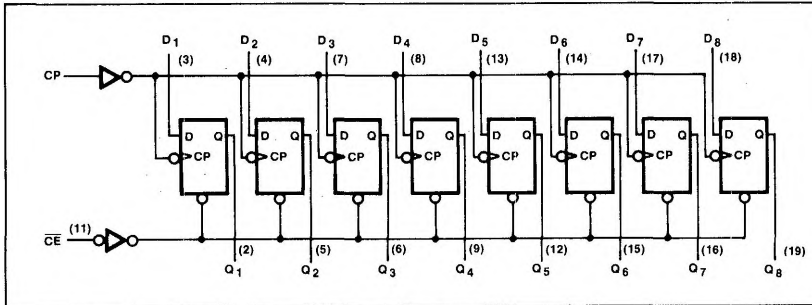


DESCRIPTION

The 54/74LS377 is an Octal D Flip-Flop used primarily as an 8-bit positive edge-triggered storage register. D input information is transferred to storage during the Low

to High transition of the clock pulse. The edge-triggered Clock Enable (\overline{CE}) input enables the clock when Low and holds data when High.

LOGIC DIAGRAM



PIN CONFIGURATION

