

## 54122/DM74122

### Retriggerable Resettable Multivibrator

#### General Description

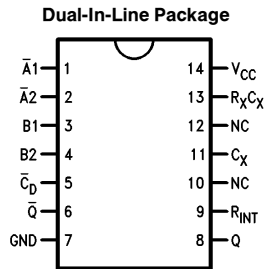
The '122 features positive and negative DC level triggering inputs, complementary outputs, an optional 10 k $\Omega$  internal timing resistor and an overriding Direct Clear ( $\overline{C}_D$ ) input. When the circuit is in the quasi-stable (delay) state, another trigger applied to the inputs (per Truth Table) will cause the delay period to start again, without disturbing the outputs. This process can be repeated indefinitely and thus the output pulse period (Q HIGH,  $\overline{Q}$  LOW) can be made as long as desired. Alternatively, a delay period can be terminated

by a LOW signal applied to  $\overline{C}_D$ , which also prevents triggering. An internal connection from  $\overline{C}_D$  to the input gate makes it possible to trigger the circuit by a positive-going signal on  $\overline{C}_D$ , as shown in the Truth Table. For timing capacitor values greater than 1000 pF, the output pulse width is defined as follows:

$$t_w = 0.32 R_X C_X (1.0 + 0.7/R_X)$$

Where  $t_w$  is in ns,  $R_X$  is in k $\Omega$  and  $C_X$  is in pF.

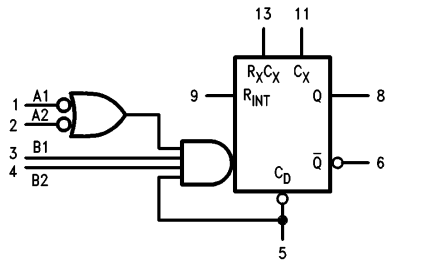
#### Connection Diagram



TL/F/10212-1

Order Number 54122DMQB, 54122FMQB or DM74122N  
See NS Package Number J14A, N14A or W14B

#### Logic Symbol



$V_{CC}$  = Pin 14  
GND = Pin 7  
NC = Pins 10 and 12

TL/F/10212-2

Pin Names	Description
$\overline{A}_1, \overline{A}_2$	Trigger Inputs (Active Falling Edge)
$B_1, B_2$	Trigger Inputs (Active Rising Edge)
$\overline{C}_D$	Direct Clear Inputs (Active LOW)
Q, $\overline{Q}$	Outputs

## Absolute Maximum Ratings (Note)

If Military/Aerospace specified devices are required, please contact the National Semiconductor Sales Office/Distributors for availability and specifications.

Supply Voltage	7V
Input Voltage	5.5V
Operating Free Air Temperature Range	
54	-55°C to +125°C
DM74	0°C to +70°C
Storage Temperature Range	-65°C to +150°C

Note: The "Absolute Maximum Ratings" are those values beyond which the safety of the device cannot be guaranteed. The device should not be operated at these limits. The parametric values defined in the "Electrical Characteristics" table are not guaranteed at the absolute maximum ratings. The "Recommended Operating Conditions" table will define the conditions for actual device operation.

## Recommended Operating Conditions

Symbol	Parameter	54122			DM74122			Units
		Min	Nom	Max	Min	Nom	Max	
V <sub>CC</sub>	Supply Voltage	4.5	5	5.5	4.75	5	5.5	V
V <sub>IH</sub>	High Level Input Voltage	2			2			V
V <sub>IL</sub>	Low Level Input Voltage			0.8			0.8	V
I <sub>OH</sub>	High Level Output Current			-0.8			-0.8	mA
I <sub>OL</sub>	Low Level Output Current			16			16	mA
T <sub>A</sub>	Free Air Operating Temperature	-55		125	-55		70	°C

## Recommended Operating Conditions V<sub>CC</sub> = +5.0V, T<sub>A</sub> = +25°C

Symbol	Parameter	Conditions	DM74		Units	
			Min	Max		
t <sub>w</sub>	Trigger Pulse Width	Over Operating V <sub>CC</sub> and Temperature Range	40		ns	
R <sub>X</sub>	External Timing Resistor		XC	5.0	50	kΩ
			XM	5.0	25	
C <sub>X</sub>	External Timing Capacitor		No Restrictions			pF

## Electrical Characteristics over recommended operating free air temperature range (unless otherwise noted)

Symbol	Parameter	Conditions	Min	Typ (Note 1)	Max	Units
V <sub>I</sub>	Input Clamp Voltage	V <sub>CC</sub> = Min, I <sub>I</sub> = -12 mA			-1.5	V
V <sub>OH</sub>	High Level Output Voltage	V <sub>CC</sub> = Min, I <sub>OH</sub> = Max, V <sub>IL</sub> = Max	2.4			V
V <sub>OL</sub>	Low Level Output Voltage	V <sub>CC</sub> = Min, V <sub>IH</sub> = Min			0.4	V
I <sub>I</sub>	Input Current @ Max Input Voltage	V <sub>CC</sub> = Max, V <sub>I</sub> = 5.5V			1	mA
I <sub>IH</sub>	High Level Input Current	V <sub>CC</sub> = Max, V <sub>I</sub> = 2.4V	Inputs		40	μA
			Clear		80	
I <sub>IL</sub>	Low Level Input Current	V <sub>CC</sub> = Max, V <sub>I</sub> = 0.4V	Inputs		-1.6	mA
			Clear		-3.2	
I <sub>OS</sub>	Short Circuit Output Current	V <sub>CC</sub> = Max (Note 2)	-10		-40	mA
I <sub>CC</sub>	Supply Current	V <sub>CC</sub> = Max			28	mA

Note 1: All typicals are at V<sub>CC</sub> = 5V, T<sub>A</sub> = 25°C.

Note 2: Not more than one output should be shorted at a time, and the duration should not exceed one second.

## Switching Characteristics

$V_{CC} = +5.0V$ ,  $T_A = +25^\circ C$  (See Section 3 for waveforms and load configurations)

Symbol	Parameter	Conditions	54/74		Units
			$C_L = 15 \text{ pF}$ $R_L = 400\Omega$		
			Min	Max	
$t_{PLH}$	Propagation Delay B to Q	$C_X = 0 \text{ pF}$ , $R_X = 5 \text{ k}\Omega$ <i>Figure 3-1, Figure a</i>		28	ns
$t_{PLH}$	Propagation Delay $\bar{A}$ to Q			33	ns
$t_{PLH}$	Propagation Delay B to $\bar{Q}$			36	ns
$t_{PHL}$	Propagation Delay $\bar{A}$ to $\bar{Q}$			40	ns
$t_{PLH}$	Propagation Delay $\bar{C}_D$ to $\bar{Q}$	$C_X = 0 \text{ pF}$ , $R_X = 5 \text{ k}\Omega$ <i>Figure 3-1, Figure 3-10</i>		40	ns
$t_{PHL}$	Propagation Delay $\bar{C}_D$ to Q			27	ns
$t_{w(out)}$	Pulse Width at Q with Zero Timing Capacitor	$C_X = 0 \text{ pF}$ , $R_X = 5 \text{ k}\Omega$ <i>Figure 3-1, Figure a</i>		65	ns
$t_{w(out)}$	Pulse Width with External Timing Components	$C_X = 1000 \text{ pF}$ , $R_X = 10 \text{ k}\Omega$ <i>Figure 3-1, Figure a</i>	3.08	3.76	$\mu s$

## Triggering Truth Table

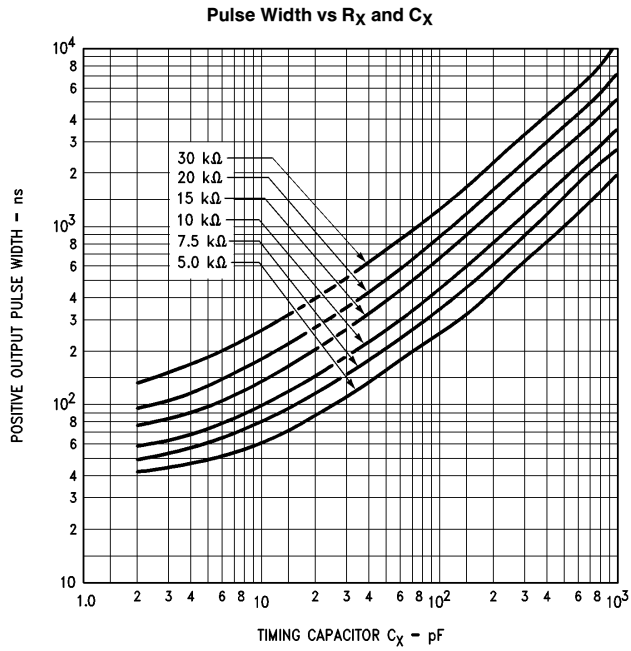
Inputs*					Response
$\bar{C}_D$	$\bar{A}_1$	$\bar{A}_2$	$B_1$	$B_2$	
L	X	X	X	X	No Trigger
X		L	X	X	No Trigger
X		X	L	X	No Trigger
H		H	H	H	Trigger
X	X	X		L	No Trigger
X	H	H		X	No Trigger
H	L	X		H	Trigger
	L	X	H	H	Trigger

H = HIGH Voltage Level

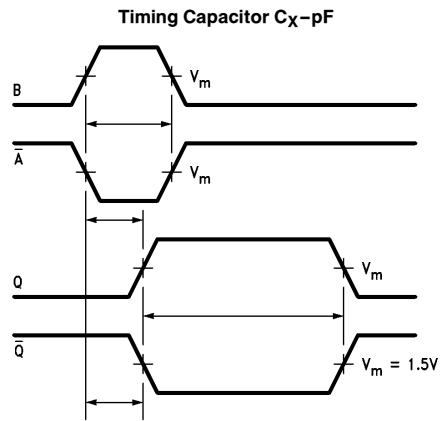
L = LOW Voltage Level

X = Immaterial

\*Input pins 1 and 2 are logically interchangeable, as are input pins 3 and 4.

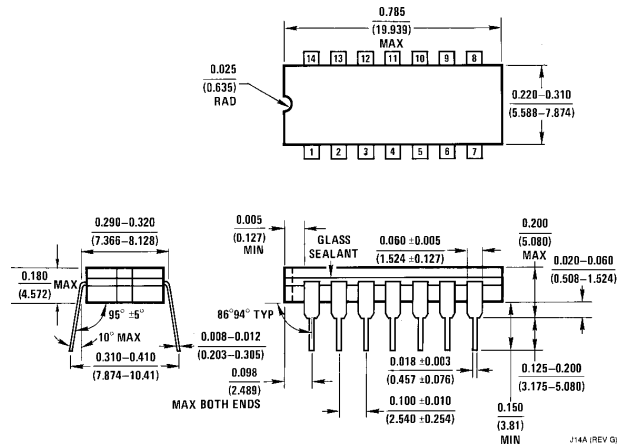


TL/F/10212-3

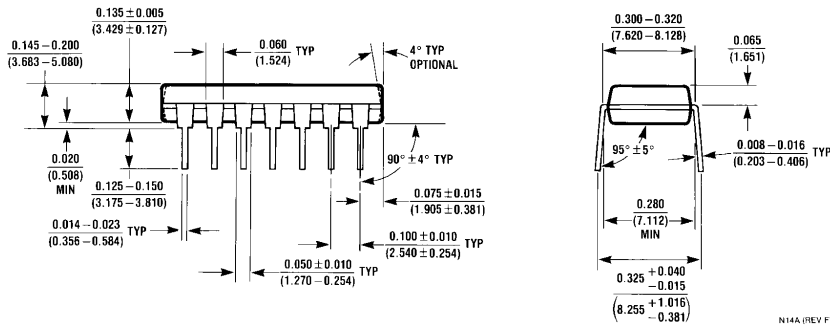
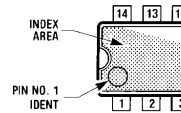
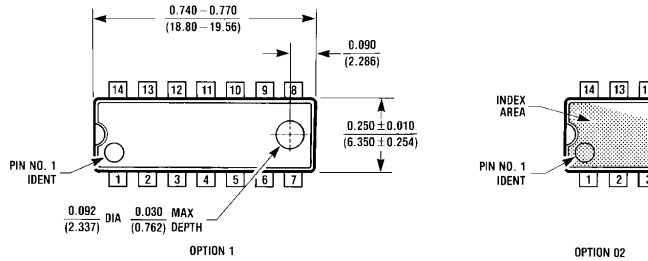


TL/F/10212-4

**Physical Dimensions** inches (millimeters)

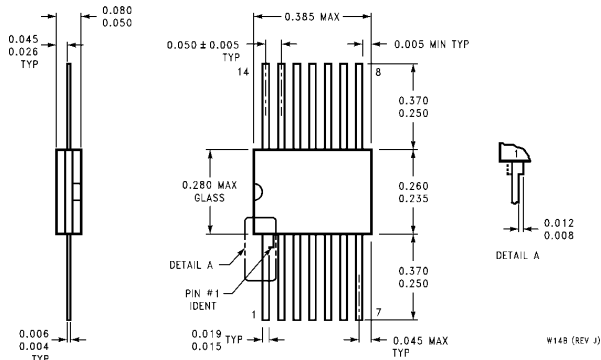


**14-Lead Ceramic Dual-In-Line Package (J)**  
**Order Number 54122DMQB**  
**NS Package Number J14A**



**14-Lead Molded Dual-In-Line Package (N)**  
**Order Number DM74122N**  
**NS Package Number N14A**

**Physical Dimensions** inches (millimeters) (Continued)



**14-Lead Ceramic Flat Package (W)**  
**Order Number 54122FMQB**  
**NS Package Number W14B**

W14B (REV J)

**LIFE SUPPORT POLICY**

NATIONAL'S PRODUCTS ARE NOT AUTHORIZED FOR USE AS CRITICAL COMPONENTS IN LIFE SUPPORT DEVICES OR SYSTEMS WITHOUT THE EXPRESS WRITTEN APPROVAL OF THE PRESIDENT OF NATIONAL SEMICONDUCTOR CORPORATION. As used herein:

1. Life support devices or systems are devices or systems which, (a) are intended for surgical implant into the body, or (b) support or sustain life, and whose failure to perform, when properly used in accordance with instructions for use provided in the labeling, can be reasonably expected to result in a significant injury to the user.
2. A critical component is any component of a life support device or system whose failure to perform can be reasonably expected to cause the failure of the life support device or system, or to affect its safety or effectiveness.



**National Semiconductor Corporation**  
 1111 West Bardin Road  
 Arlington, TX 76017  
 Tel: 1(800) 272-9959  
 Fax: 1(800) 737-7018

**National Semiconductor Europe**  
 Fax: (+49) 0-180-530 85 86  
 Email: cnjwge@tevm2.nsc.com  
 Deutsch Tel: (+49) 0-180-530 85 85  
 English Tel: (+49) 0-180-532 78 32  
 Français Tel: (+49) 0-180-532 93 58  
 Italiano Tel: (+49) 0-180-534 16 80

**National Semiconductor Hong Kong Ltd.**  
 19th Floor, Straight Block,  
 Ocean Centre, 5 Canton Rd.  
 Tsimshatsui, Kowloon  
 Hong Kong  
 Tel: (852) 2737-1600  
 Fax: (852) 2736-9960

**National Semiconductor Japan Ltd.**  
 Tel: 81-043-299-2309  
 Fax: 81-043-299-2408

National does not assume any responsibility for use of any circuitry described, no circuit patent licenses are implied and National reserves the right at any time without notice to change said circuitry and specifications.