



# 29F68 Dynamic RAM Controller

## General Description

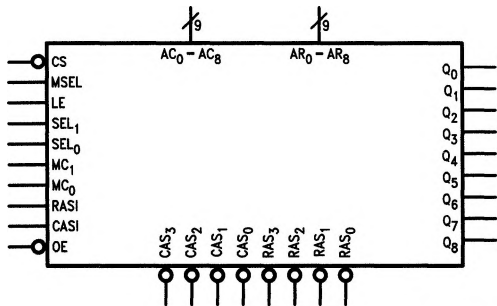
The 29F68 is a high-performance memory controller, replacing many SSI and MSI devices by grouping several unique functions. It provides two 9-bit address latches and two 9-bit counters for row and column address generation during refresh. A 2-bit bank select latch for row and column address generation during refresh, and a 2-bit bank select latch for the two high order address bits are provided to select one of the four RAS and CAS outputs.

The 29F68 is functionally equivalent to AMD's Am2968 and Motorola's MC74F2968.

## Features

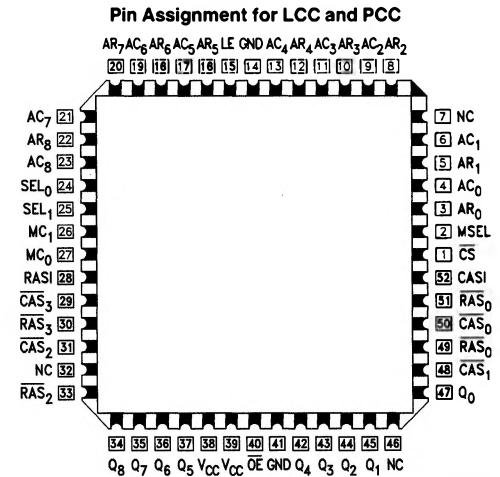
- High-performance memory controller
- Replaces many SSI and MSI devices by grouping several unique functions
- Functionally equivalent to AMD's Am2968 and Motorola's MC74F2968
- Provides control for 16K, 64K, or 256K dynamic RAM systems
- Outputs directly drive up to 88 DRAMs
- Highest order two address bits select one of four banks of RAMs
- Chip Select for easy expansion
- Provides memory refresh with error correction mode

## Logic Symbol



TL/F/9608-1

## Connection Diagram



TL/F/9608-2