

# 100323

*100323 Low Power Hex Bus Driver*



Literature Number: SNOS127A

## Low Power Hex Bus Driver

### General Description

The 100323 is a monolithic device containing six bus drivers capable of driving terminated lines with terminations as low as 25Ω. To reduce crosstalk, each output has its own respective ground connection. Transition times were designed to be longer than on other F100K devices. The driver itself performs the positive logic AND of a data input (D<sub>1</sub>–D<sub>6</sub>) and the OR of two select inputs (E and either DE<sub>1</sub>, DE<sub>2</sub>, or DE<sub>3</sub>).

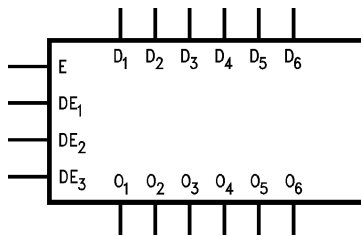
Enabling of data is possible in multiples of two, i.e., 2, 4 or all 6 paths. All inputs have 50 kΩ pull-down resistors.

The output voltage LOW level is designed to be more negative than normal ECL outputs (cut off state). This allows an emitter-follower output transistor to turn off when the termination supply is –2.0V and thus present a high impedance to the data bus.

### Features

- 50% power reduction of the 100123
- 2000V ESD protection
- –4.2V to –5.7V operating range
- Drives 25Ω load

### Logic Symbol

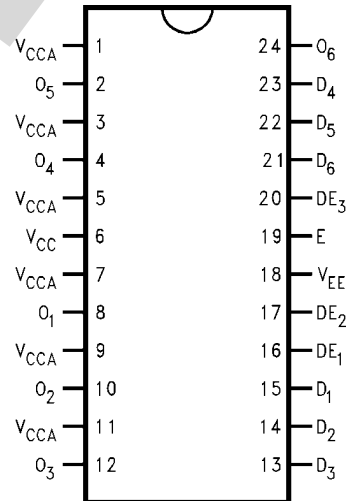


10031207

Pin Names	Description
D <sub>1</sub> –D <sub>6</sub>	Data Inputs
DE <sub>1</sub> –DE <sub>3</sub>	Dual Enable Inputs
E	Common Enable Input
O <sub>1</sub> –O <sub>6</sub>	Data Outputs

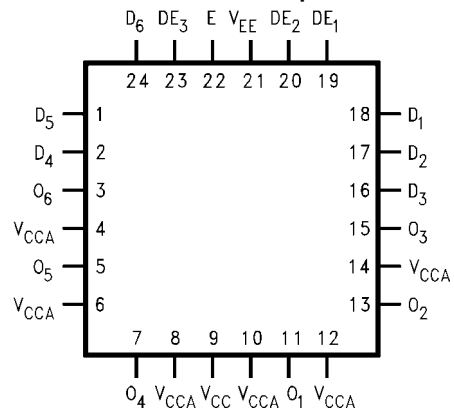
### Connection Diagrams

**24-Pin DIP**



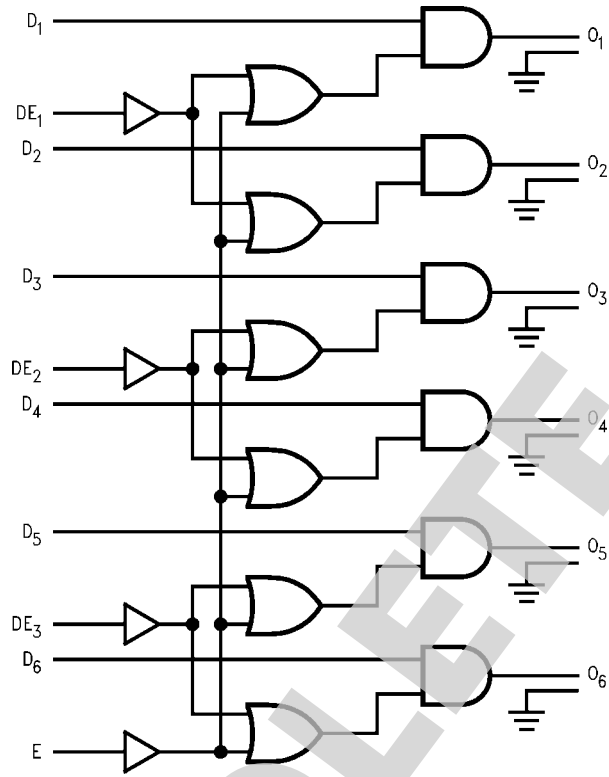
10031203

**24-Pin Quad Cerpak**



10031204

## Logic Diagram



10031201

## Truth Table

E	DE <sub>n</sub>	D <sub>n</sub>	D <sub>n+1</sub>	O <sub>n</sub>	O <sub>n+1</sub>
L	L	X	X	Cutoff	Cutoff
X	H	L	L	Cutoff	Cutoff
X	H	L	H	Cutoff	H
X	H	H	L	H	Cutoff
X	H	H	H	H	H
H	X	L	L	Cutoff	Cutoff
H	X	L	H	Cutoff	H
H	X	H	L	H	Cutoff
H	X	H	H	H	H

H = High  
 Cutoff = Lower-than-LOW state  
 L = Low  
 X = Don't Care

## Absolute Maximum Ratings *(Note 1)*

If Military/Aerospace specified devices are required, please contact the National Semiconductor Sales Office/ Distributors for availability and specifications.

Storage Temperature	-65°C to +150°C
Maximum Junction Temperature	
Ceramic	+175°C
V <sub>EE</sub> Pin Potential to Ground Pin	-7.0V to +0.5V
Input Voltage (DC)	V <sub>EE</sub> to +0.5V

Output Current (DC Output High)	-50 mA
ESD	≥2000V

## Recommended Operating Conditions

Case Temperature	
Military	-55°C to +125°C
Supply Voltage (V <sub>EE</sub> )	-5.7V to -4.2V

**Note 1:** Absolute maximum ratings are values beyond which the device may be damaged or have its useful life impaired. Functional operation under these conditions is not implied.

**Note 2:** ESD testing conforms to MIL-STD-883, Method 3015.

## Military Version

## DC Electrical Characteristics

V<sub>EE</sub> = -4.2V to -5.7V, V<sub>CC</sub> = V<sub>CCA</sub> = GND, T<sub>C</sub> = -55°C to +125°C

Symbol	Parameter	Min	Max	Units	T <sub>C</sub>	Conditions	Notes	
V <sub>OH</sub>	Output HIGH Voltage	-1025	-870	mV	0°C to +125°C	V <sub>IN</sub> = V <sub>IH</sub> (max) or V <sub>IL</sub> (min)	Loading with 25Ω to -2.0V	(Note 3, Note 4, Note 5)
		-1085	-870	mV	-55°C			
V <sub>OHC</sub>	Output HIGH Voltage	-1035		mV	0°C to +125°C	V <sub>IN</sub> = V <sub>IH</sub> (min) or V <sub>IL</sub> (max)	Loading with 25Ω to -2.0V	(Note 3, Note 4, Note 5)
		-1085		mV	-55°C			
V <sub>OLC</sub>	Output LOW Voltage		-1610	mV	0°C to +125°C			
			-1555	MV	-55°C			
V <sub>OLZ</sub>	Cut-Off LOW Voltage		-1950	mV	0°C to +125°C	V <sub>IN</sub> = V <sub>IH</sub> (min) or V <sub>IL</sub> (max)	Loading with 25Ω to -2.0V	(Note 3, Note 4, Note 5)
			-1850		-55°C			
V <sub>IH</sub>	Input HIGH Voltage	-1165	-870	mV	-55°C to +125°C	Guaranteed HIGH Signal for All Inputs		(Note 3, Note 4, Note 5, Note 6)
V <sub>IL</sub>	Input LOW Voltage	-1830	-1475	mV	-55°C to +125°C	Guaranteed LOW Signal for All Inputs		(Note 3, Note 4, Note 5, Note 6)
I <sub>IL</sub>	Input LOW Current	0.50		μA	-55°C to +125°C	V <sub>EE</sub> = 4.2V, V <sub>IN</sub> = V <sub>IL</sub> (min)		(Note 3, Note 4, Note 5)
I <sub>IH</sub>	Input HIGH Current		240	μA	0°C to +125°C	V <sub>EE</sub> = -5.7V, V <sub>IN</sub> = V <sub>IH</sub> (max)		(Note 3, Note 4, Note 5)
			340	μA	-55°C			
I <sub>EE</sub>	Power Supply Current	-155	-53	mA	-55°C to +125°C	Inputs Open V <sub>EE</sub> = -4.2V to -5.7V		(Note 3, Note 4, Note 5)

**Note 3:** F100K 300 Series cold temperature testing is performed by temperature soaking (to guarantee junction temperature equals -55°C), then testing immediately without allowing for the junction temperature to stabilize due to heat dissipation after power-up. This provides "cold start" specs which can be considered a worst case condition at cold temperatures.

**Note 4:** Screen tested 100% on each device at -55°C, +25°C, and +125°C, Subgroups 1, 2, 3, 7, and 8.

**Note 5:** Sample tested (Method 5005, Table I) on each manufactured lot at -55°C, +25°C, and +125°C, Subgroups A1, 2, 3, 7, and 8.

**Note 6:** Guaranteed by applying specified input condition and testing V<sub>OH</sub>/V<sub>OL</sub>.

## AC Electrical Characteristics

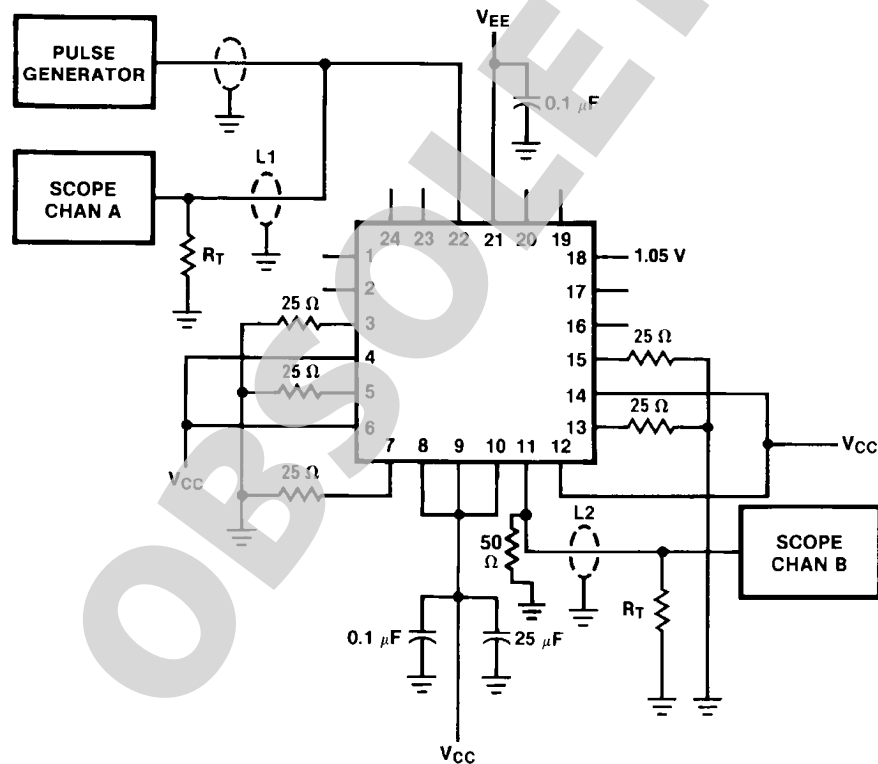
$V_{EE} = -4.2V$  to  $-5.7V$ ,  $V_{CC} = V_{CCA} = GND$

Symbol	Parameter	$T_C = -55^\circ C$		$T_C = +25^\circ C$		$T_C = +125^\circ C$		Units	Conditions
		Min	Max	Min	Max	Min	Max		
$t_{PZH}$	Propagation Delay	0.70	3.70	1.10	3.60	1.20	3.60	ns	Figures 1, 2
$t_{PHZ}$	Data to Output	0.50	3.60	1.10	3.10	1.20	3.50		
$t_{PZH}$	Propagation Delay	0.60	3.60	1.10	3.60	1.30	3.80	ns	
$t_{PHZ}$	Data Enable to Output	1.00	4.20	1.50	3.60	1.60	4.00		
$t_{PZH}$	Propagation Delay	0.70	3.60	1.00	3.50	1.20	3.60	ns	
$t_{PHZ}$	Common Enable to Output	0.90	4.00	1.40	3.40	1.40	3.80		
$t_{TZH}$	Transition Time	0.20	2.00	0.20	2.00	0.20	2.00	ns	
$t_{THZ}$	20% to 80%, 80% to 20%	0.20	1.80	0.20	1.60	0.20	1.60		

**Note 7:** The specified limits represent the "worst case" value for the parameter. Since these "worst case" values normally occur at the temperature extremes, additional noise immunity and guard banding can be achieved by decreasing the allowable system operating ranges.

**Note 8:** Conditions for testing shown in the tables are chosen to guarantee operation under "worst case" conditions.

### Test Circuitry



#### Notes:

$V_{CC}$ ,  $V_{CCA} = +2V$ ,  $V_{EE} = -2.5V$

L1 and L2 = equal length 50Ω impedance lines

$R_T = 50\Omega$  terminator internal to scope

Decoupling 0.1  $\mu F$  from GND to  $V_{CC}$  and  $V_{EE}$

All unused outputs are loaded with 25Ω to GND

$C_L$  = Fixture and stray capacitance  $\leq 3$  pF

Pin numbers shown are for flatpak; for DIP see logic symbol

10031205

FIGURE 1. AC Test Circuit

# Timing Waveform

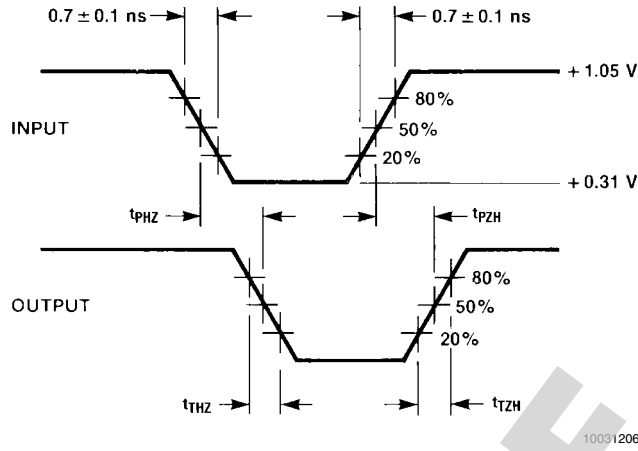
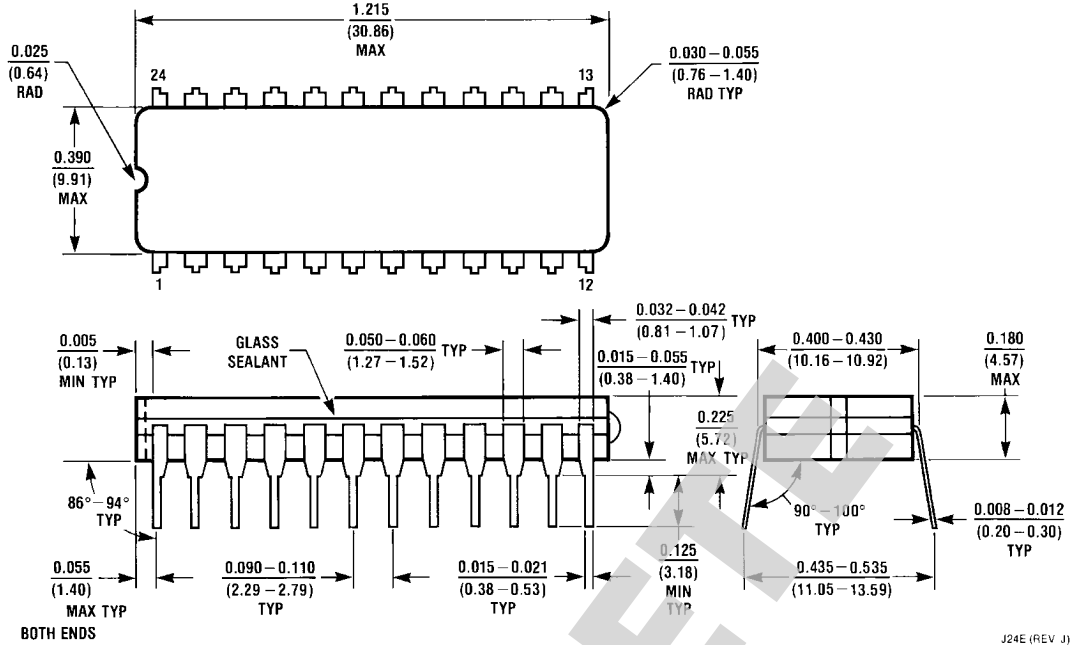


FIGURE 2. Propagation Delay and Transition Times

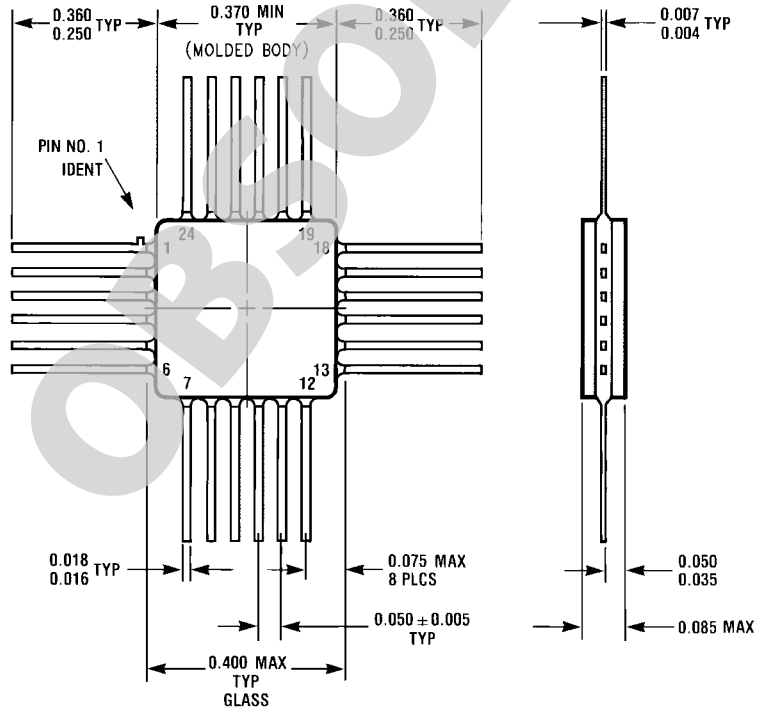
OBSOLETE

**Physical Dimensions** inches (millimeters) unless otherwise noted



**24 Lead Ceramic Dual-In-Line Package (0.400 Wide) (D)**  
NS Package Number J24E

J24E (REV. J)



**24 Lead Quad Cerpak (F)**  
NS Package Number W24B

W24B (REV. D)

# Notes

100323

**OBSOLETE**



## Notes

For more National Semiconductor product information and proven design tools, visit the following Web sites at:

Products		Design Support	
Amplifiers	<a href="http://www.national.com/amplifiers">www.national.com/amplifiers</a>	WEBENCH® Tools	<a href="http://www.national.com/webench">www.national.com/webench</a>
Audio	<a href="http://www.national.com/audio">www.national.com/audio</a>	App Notes	<a href="http://www.national.com/appnotes">www.national.com/appnotes</a>
Clock and Timing	<a href="http://www.national.com/timing">www.national.com/timing</a>	Reference Designs	<a href="http://www.national.com/refdesigns">www.national.com/refdesigns</a>
Data Converters	<a href="http://www.national.com/adc">www.national.com/adc</a>	Samples	<a href="http://www.national.com/samples">www.national.com/samples</a>
Interface	<a href="http://www.national.com/interface">www.national.com/interface</a>	Eval Boards	<a href="http://www.national.com/evalboards">www.national.com/evalboards</a>
LVDS	<a href="http://www.national.com/lvds">www.national.com/lvds</a>	Packaging	<a href="http://www.national.com/packaging">www.national.com/packaging</a>
Power Management	<a href="http://www.national.com/power">www.national.com/power</a>	Green Compliance	<a href="http://www.national.com/quality/green">www.national.com/quality/green</a>
Switching Regulators	<a href="http://www.national.com/switchers">www.national.com/switchers</a>	Distributors	<a href="http://www.national.com/contacts">www.national.com/contacts</a>
LDOs	<a href="http://www.national.com/ldo">www.national.com/ldo</a>	Quality and Reliability	<a href="http://www.national.com/quality">www.national.com/quality</a>
LED Lighting	<a href="http://www.national.com/led">www.national.com/led</a>	Feedback/Support	<a href="http://www.national.com/feedback">www.national.com/feedback</a>
Voltage Reference	<a href="http://www.national.com/vref">www.national.com/vref</a>	Design Made Easy	<a href="http://www.national.com/easy">www.national.com/easy</a>
PowerWise® Solutions	<a href="http://www.national.com/powerwise">www.national.com/powerwise</a>	Solutions	<a href="http://www.national.com/solutions">www.national.com/solutions</a>
Serial Digital Interface (SDI)	<a href="http://www.national.com/sdi">www.national.com/sdi</a>	Mil/Aero	<a href="http://www.national.com/milaero">www.national.com/milaero</a>
Temperature Sensors	<a href="http://www.national.com/tempensors">www.national.com/tempensors</a>	SolarMagic™	<a href="http://www.national.com/solarmagic">www.national.com/solarmagic</a>
Wireless (PLL/VCO)	<a href="http://www.national.com/wireless">www.national.com/wireless</a>	PowerWise® Design University	<a href="http://www.national.com/training">www.national.com/training</a>

THE CONTENTS OF THIS DOCUMENT ARE PROVIDED IN CONNECTION WITH NATIONAL SEMICONDUCTOR CORPORATION ("NATIONAL") PRODUCTS. NATIONAL MAKES NO REPRESENTATIONS OR WARRANTIES WITH RESPECT TO THE ACCURACY OR COMPLETENESS OF THE CONTENTS OF THIS PUBLICATION AND RESERVES THE RIGHT TO MAKE CHANGES TO SPECIFICATIONS AND PRODUCT DESCRIPTIONS AT ANY TIME WITHOUT NOTICE. NO LICENSE, WHETHER EXPRESS, IMPLIED, ARISING BY ESTOPPEL OR OTHERWISE, TO ANY INTELLECTUAL PROPERTY RIGHTS IS GRANTED BY THIS DOCUMENT.

TESTING AND OTHER QUALITY CONTROLS ARE USED TO THE EXTENT NATIONAL DEEMS NECESSARY TO SUPPORT NATIONAL'S PRODUCT WARRANTY. EXCEPT WHERE MANDATED BY GOVERNMENT REQUIREMENTS, TESTING OF ALL PARAMETERS OF EACH PRODUCT IS NOT NECESSARILY PERFORMED. NATIONAL ASSUMES NO LIABILITY FOR APPLICATIONS ASSISTANCE OR BUYER PRODUCT DESIGN. BUYERS ARE RESPONSIBLE FOR THEIR PRODUCTS AND APPLICATIONS USING NATIONAL COMPONENTS. PRIOR TO USING OR DISTRIBUTING ANY PRODUCTS THAT INCLUDE NATIONAL COMPONENTS, BUYERS SHOULD PROVIDE ADEQUATE DESIGN, TESTING AND OPERATING SAFEGUARDS.

EXCEPT AS PROVIDED IN NATIONAL'S TERMS AND CONDITIONS OF SALE FOR SUCH PRODUCTS, NATIONAL ASSUMES NO LIABILITY WHATSOEVER, AND NATIONAL DISCLAIMS ANY EXPRESS OR IMPLIED WARRANTY RELATING TO THE SALE AND/OR USE OF NATIONAL PRODUCTS INCLUDING LIABILITY OR WARRANTIES RELATING TO FITNESS FOR A PARTICULAR PURPOSE, MERCHANTABILITY, OR INFRINGEMENT OF ANY PATENT, COPYRIGHT OR OTHER INTELLECTUAL PROPERTY RIGHT.

#### LIFE SUPPORT POLICY

**NATIONAL'S PRODUCTS ARE NOT AUTHORIZED FOR USE AS CRITICAL COMPONENTS IN LIFE SUPPORT DEVICES OR SYSTEMS WITHOUT THE EXPRESS PRIOR WRITTEN APPROVAL OF THE CHIEF EXECUTIVE OFFICER AND GENERAL COUNSEL OF NATIONAL SEMICONDUCTOR CORPORATION.** As used herein:

Life support devices or systems are devices which (a) are intended for surgical implant into the body, or (b) support or sustain life and whose failure to perform when properly used in accordance with instructions for use provided in the labeling can be reasonably expected to result in a significant injury to the user. A critical component is any component in a life support device or system whose failure to perform can be reasonably expected to cause the failure of the life support device or system or to affect its safety or effectiveness.

National Semiconductor and the National Semiconductor logo are registered trademarks of National Semiconductor Corporation. All other brand or product names may be trademarks or registered trademarks of their respective holders.

Copyright© 2009 National Semiconductor Corporation

For the most current product information visit us at [www.national.com](http://www.national.com)



[www.national.com](http://www.national.com)

**National Semiconductor  
Americas Technical  
Support Center**

Email: [support@nsc.com](mailto:support@nsc.com)  
Tel: 1-800-272-9959

**National Semiconductor Europe  
Technical Support Center**

Email: [europe.support@nsc.com](mailto:europe.support@nsc.com)

**National Semiconductor Asia  
Pacific Technical Support Center**

Email: [ap.support@nsc.com](mailto:ap.support@nsc.com)

**National Semiconductor Japan  
Technical Support Center**

Email: [jpn.feedback@nsc.com](mailto:jpn.feedback@nsc.com)

## IMPORTANT NOTICE

Texas Instruments Incorporated and its subsidiaries (TI) reserve the right to make corrections, modifications, enhancements, improvements, and other changes to its products and services at any time and to discontinue any product or service without notice. Customers should obtain the latest relevant information before placing orders and should verify that such information is current and complete. All products are sold subject to TI's terms and conditions of sale supplied at the time of order acknowledgment.

TI warrants performance of its hardware products to the specifications applicable at the time of sale in accordance with TI's standard warranty. Testing and other quality control techniques are used to the extent TI deems necessary to support this warranty. Except where mandated by government requirements, testing of all parameters of each product is not necessarily performed.

TI assumes no liability for applications assistance or customer product design. Customers are responsible for their products and applications using TI components. To minimize the risks associated with customer products and applications, customers should provide adequate design and operating safeguards.

TI does not warrant or represent that any license, either express or implied, is granted under any TI patent right, copyright, mask work right, or other TI intellectual property right relating to any combination, machine, or process in which TI products or services are used. Information published by TI regarding third-party products or services does not constitute a license from TI to use such products or services or a warranty or endorsement thereof. Use of such information may require a license from a third party under the patents or other intellectual property of the third party, or a license from TI under the patents or other intellectual property of TI.

Reproduction of TI information in TI data books or data sheets is permissible only if reproduction is without alteration and is accompanied by all associated warranties, conditions, limitations, and notices. Reproduction of this information with alteration is an unfair and deceptive business practice. TI is not responsible or liable for such altered documentation. Information of third parties may be subject to additional restrictions.

Resale of TI products or services with statements different from or beyond the parameters stated by TI for that product or service voids all express and any implied warranties for the associated TI product or service and is an unfair and deceptive business practice. TI is not responsible or liable for any such statements.

TI products are not authorized for use in safety-critical applications (such as life support) where a failure of the TI product would reasonably be expected to cause severe personal injury or death, unless officers of the parties have executed an agreement specifically governing such use. Buyers represent that they have all necessary expertise in the safety and regulatory ramifications of their applications, and acknowledge and agree that they are solely responsible for all legal, regulatory and safety-related requirements concerning their products and any use of TI products in such safety-critical applications, notwithstanding any applications-related information or support that may be provided by TI. Further, Buyers must fully indemnify TI and its representatives against any damages arising out of the use of TI products in such safety-critical applications.

TI products are neither designed nor intended for use in military/aerospace applications or environments unless the TI products are specifically designated by TI as military-grade or "enhanced plastic." Only products designated by TI as military-grade meet military specifications. Buyers acknowledge and agree that any such use of TI products which TI has not designated as military-grade is solely at the Buyer's risk, and that they are solely responsible for compliance with all legal and regulatory requirements in connection with such use.

TI products are neither designed nor intended for use in automotive applications or environments unless the specific TI products are designated by TI as compliant with ISO/TS 16949 requirements. Buyers acknowledge and agree that, if they use any non-designated products in automotive applications, TI will not be responsible for any failure to meet such requirements.

Following are URLs where you can obtain information on other Texas Instruments products and application solutions:

### Products

Audio	<a href="http://www.ti.com/audio">www.ti.com/audio</a>
Amplifiers	<a href="http://amplifier.ti.com">amplifier.ti.com</a>
Data Converters	<a href="http://dataconverter.ti.com">dataconverter.ti.com</a>
DLP® Products	<a href="http://www.dlp.com">www.dlp.com</a>
DSP	<a href="http://dsp.ti.com">dsp.ti.com</a>
Clocks and Timers	<a href="http://www.ti.com/clocks">www.ti.com/clocks</a>
Interface	<a href="http://interface.ti.com">interface.ti.com</a>
Logic	<a href="http://logic.ti.com">logic.ti.com</a>
Power Mgmt	<a href="http://power.ti.com">power.ti.com</a>
Microcontrollers	<a href="http://microcontroller.ti.com">microcontroller.ti.com</a>
RFID	<a href="http://www.ti-rfid.com">www.ti-rfid.com</a>
OMAP Mobile Processors	<a href="http://www.ti.com/omap">www.ti.com/omap</a>
Wireless Connectivity	<a href="http://www.ti.com/wirelessconnectivity">www.ti.com/wirelessconnectivity</a>

### Applications

Communications and Telecom	<a href="http://www.ti.com/communications">www.ti.com/communications</a>
Computers and Peripherals	<a href="http://www.ti.com/computers">www.ti.com/computers</a>
Consumer Electronics	<a href="http://www.ti.com/consumer-apps">www.ti.com/consumer-apps</a>
Energy and Lighting	<a href="http://www.ti.com/energy">www.ti.com/energy</a>
Industrial	<a href="http://www.ti.com/industrial">www.ti.com/industrial</a>
Medical	<a href="http://www.ti.com/medical">www.ti.com/medical</a>
Security	<a href="http://www.ti.com/security">www.ti.com/security</a>
Space, Avionics and Defense	<a href="http://www.ti.com/space-avionics-defense">www.ti.com/space-avionics-defense</a>
Transportation and Automotive	<a href="http://www.ti.com/automotive">www.ti.com/automotive</a>
Video and Imaging	<a href="http://www.ti.com/video">www.ti.com/video</a>

TI E2E Community Home Page

[e2e.ti.com](http://e2e.ti.com)

Mailing Address: Texas Instruments, Post Office Box 655303, Dallas, Texas 75265  
Copyright © 2011, Texas Instruments Incorporated