

100314 Low Power Quint Differential Line Receiver

Check for Samples: [100314](#)

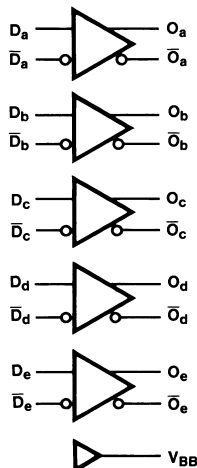
FEATURES

- 35% power reduction of the 100114
- 2000V ESD protection
- Pin/function compatible with 100114
- Voltage compensated operating range = -4.2V to -5.7V
- Standard Microcircuit Drawing
 - (SMD) 5962-9162901

DESCRIPTION

The 100314 is a monolithic quint differential line receiver with emitter-follower outputs. An internal reference supply (V_{BB}) is available for single-ended reception. When used in single-ended operation the apparent input threshold of the true inputs is 25 mV to 30 mV higher (positive) than the threshold of the complementary inputs. Unlike other F100K ECL devices, the inputs do not have input pull-down resistors.

Active current sources provide common-mode rejection of 1.0V in either the positive or negative direction. A defined output state exists if both inverting and non-inverting inputs are at the same potential between V_{EE} and V_{CC} . The defined state is logic HIGH on the \bar{O}_a – \bar{O}_e outputs.



Pin Names	Description
D_a – D_e	Data Inputs
\bar{D}_a – \bar{D}_e	Inverting Data Inputs
O_a – O_e	Data Outputs
\bar{O}_a – \bar{O}_e	Complementary Data Outputs



Please be aware that an important notice concerning availability, standard warranty, and use in critical applications of Texas Instruments semiconductor products and disclaimers thereto appears at the end of this data sheet.

All trademarks are the property of their respective owners.

Connection Diagram

Figure 1. 24-Pin DIP

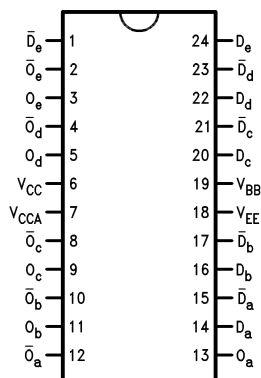
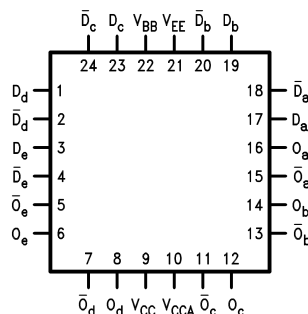


Figure 2. 24-Pin Quad Cerpak



These devices have limited built-in ESD protection. The leads should be shorted together or the device placed in conductive foam during storage or handling to prevent electrostatic damage to the MOS gates.

Absolute Maximum Ratings ⁽¹⁾

Above which the useful life may be impaired ⁽¹⁾	
Storage Temperature (T _{STG})	-65°C to +150°C
Maximum Junction Temperature (T _J)	
Ceramic	+175°C
Pin Potential to Ground Pin (V _{EE})	-7.0V to +0.5V
Input Voltage (DC)	V _{EE} to +0.5V
Output Current (DC Output HIGH)	-50 mA
ESD ⁽²⁾	≥2000V

- (1) Absolute maximum ratings are those values beyond which the device may be damaged or have its useful life impaired. Functional operation under these conditions is not implied.
 (2) ESD testing conforms to MIL-STD-883, Method 3015.

Recommended Operating Conditions

Case Temperature (T _C)	
Military	-55°C to +125°C
Supply Voltage (V _{EE})	-5.7V to -4.2V

**Military Version
DC Electrical Characteristics**
 $V_{EE} = -4.2V$ to $-5.7V$, $V_{CC} = V_{CCA} = GND$, $T_C = -55^{\circ}C$ to $+125^{\circ}C$ ⁽¹⁾

Symbol	Parameter	Min	Typ	Max	Units	T_C	Conditions	Notes
V_{OH}	Output HIGH Voltage	-1025		-870	mV	$0^{\circ}C$ to $+125^{\circ}C$	$V_{IN} = V_{IH}$ (Max) or V_{IL} (Min) Loading with 50Ω to $-2.0V$	*(2) (3) (1)
		-1085		-870	mV	$-55^{\circ}C$		
V_{OL}	Output LOW Voltage	-1830		-1620	mV	$0^{\circ}C$ to $+125^{\circ}C$		
		-1830		-1555	mV	$-55^{\circ}C$		
V_{OHC}	Output HIGH Voltage	-1035			mV	$0^{\circ}C$ to $+125^{\circ}C$	$V_{IN} = V_{IH}$ (Max) or V_{IL} (Min) Loading with 50Ω to $-2.0V$	(2) (3) (1)
		-1085			mV	$-55^{\circ}C$		
V_{OLC}	Output LOW Voltage			-1610	mV	$0^{\circ}C$ to $+125^{\circ}C$		
				-1555	mV	$-55^{\circ}C$		
V_{BB}	Output Reference Voltage			-1260	mV	$0^{\circ}C$ to $+125^{\circ}C$	$I_{V_{BB}} = 0 \mu A$, $V_{EE} = 4.2V$	(2) (3) (1) (2) (3) (1)
		-1380		-1260	mV	$0^{\circ}C$ to $+125^{\circ}C$	$I_{V_{BB}} = -250 \mu A$, $V_{EE} = -5.7V$	
		-1396			mV	$-55^{\circ}C$	$I_{V_{BB}} = -350 \mu A$, $V_{EE} = -5.7V$	
V_{DIFF}	Input Voltage Differential	150			mV	$-55^{\circ}C$ to $+125^{\circ}C$	Required for Full Output Swing	(2) (3) (1)
V_{CM}	Common Mode Voltage	$V_{CC} - 2.0$		$V_{CC} - 0.5$	V	$-55^{\circ}C$ to $+125^{\circ}C$		(2) (3) (1)
V_{IH}	Single-Ended Input High Voltage	-1165		-870	mV	$-55^{\circ}C$ to $+125^{\circ}C$	Guaranteed HIGH Signal for All Inputs (with \overline{D}_n tied to V_{BB})	(2) (3) (1) (4)
V_{IL}	Single-Ended Input Low Voltage	-1830		-1475	mV	$-55^{\circ}C$ to $+125^{\circ}C$	Guaranteed LOW Signal for All Inputs (with \overline{D}_n tied to V_{BB})	(2) (3) (1) (4)
I_{IH}	Input HIGH Current			50	μA	$0^{\circ}C$ to $+125^{\circ}C$	$V_{IN} \equiv V_{IH}$ (Max), $D_a - D_e = V_{BB}$, $\overline{D}_a - \overline{D}_e = V_{IL}$ (Min)	(2) (3) (1)
				70	μA	$-55^{\circ}C$		
I_{CBO}	Input Leakage Current	-10			μA	$-55^{\circ}C$ to $+125^{\circ}C$	$V_{IN} = V_{EE}$, $D_a - D_e = V_{BB}$, $\overline{D}_a - \overline{D}_e = V_{IL}$ (Min)	(2) (3) (1)
I_{EE}	Power Supply Current	-65		-25	mA	$-55^{\circ}C$ to $+125^{\circ}C$	$D_a - D_e = V_{BB}$, $\overline{D}_a - \overline{D}_e = V_{IL}$ (Min)	(2) (3) (1)

(1) Sample tested (Method 5005, Table I) on each manufactured lot at $-55^{\circ}C$, $+25^{\circ}C$, and $+125^{\circ}C$, Subgroups A1, 2, 3, 7, and 8.

(2) F100K 300 Series cold temperature testing is performed by temperature soaking (to guarantee junction temperature equals $-55^{\circ}C$), then testing immediately without allowing for the junction temperature to stabilize due to heat dissipation after power-up. This provides "cold start" specs which can be considered a worst case condition at cold temperatures.

(3) Screen tested 100% on each device at $-55^{\circ}C$, $+25^{\circ}C$, and $+125^{\circ}C$, Subgroups 1, 2, 3, 7, and 8.

(4) Guaranteed by applying specified input condition and testing V_{OH}/V_{OL} .

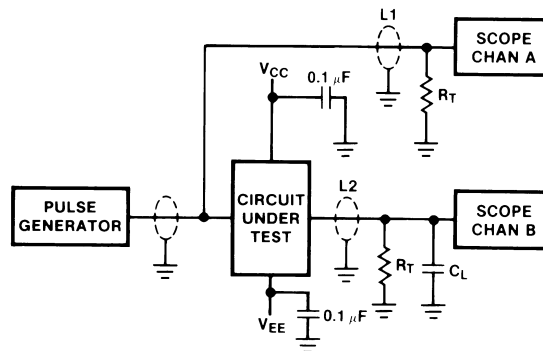
AC Electrical Characteristics

 $V_{EE} = -4.2V$ to $-5.7V$, $V_{CC} = V_{CCA} = GND$

Symbol	Parameter	$T_C = -55^\circ C$		$T_C = +25^\circ C$		$T_C = +125^\circ C$		Units	Conditions	Notes
		Min	Max	Min	Max	Min	Max			
t_{PLH} t_{PHL}	Propagation Delay Data to Output	0.40	2.30	0.60	2.20	0.60	2.70	ns	Figure 3 Figure 4	*(1) (2) (3)
t_{TLH} t_{THL}	Transition Time 20% to 80%, 80% to 20%	0.20	1.40	0.20	1.40	0.20	1.40	ns		(4)

- (1) F100K 300 Series cold temperature testing is performed by temperature soaking (to guarantee junction temperature equals $-55^\circ C$), then testing immediately after power-up. This provides "cold start" specs which can be considered a worst case condition at cold temperatures.
- (2) Screen tested 100% on each device at $+25^\circ C$ temperature only, Subgroup A9.
- (3) Sample tested (Method 5005, Table I) on each manufactured lot at $+25^\circ C$, Subgroup A9, and at $+125^\circ C$ and $-55^\circ C$ temperatures, Subgroups A10 and A11.
- (4) Not tested at $+25^\circ C$, $+125^\circ C$ and $-55^\circ C$ temperature (design characterization data).

Test Circuit



Note: V_{CC} , $V_{CCA} = +2V$, $V_{EE} = -2.5V$
 $L1$ and $L2$ = equal length 50Ω impedance lines
 $R_T = 50\Omega$ terminator internal to scope
 Decoupling $0.1 \mu F$ from GND to V_{CC} and V_{EE}
 All unused outputs are loaded with 50Ω to GND
 C_L = Fixture and stray capacitance $\leq 3 pF$

Figure 3. AC Test Circuit

Switching Waveforms

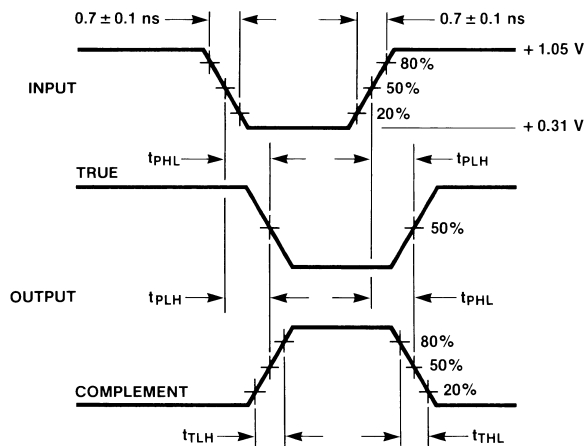


Figure 4. Propagation Delay and Transition Times

IMPORTANT NOTICE

Texas Instruments Incorporated and its subsidiaries (TI) reserve the right to make corrections, enhancements, improvements and other changes to its semiconductor products and services per JESD46, latest issue, and to discontinue any product or service per JESD48, latest issue. Buyers should obtain the latest relevant information before placing orders and should verify that such information is current and complete. All semiconductor products (also referred to herein as "components") are sold subject to TI's terms and conditions of sale supplied at the time of order acknowledgment.

TI warrants performance of its components to the specifications applicable at the time of sale, in accordance with the warranty in TI's terms and conditions of sale of semiconductor products. Testing and other quality control techniques are used to the extent TI deems necessary to support this warranty. Except where mandated by applicable law, testing of all parameters of each component is not necessarily performed.

TI assumes no liability for applications assistance or the design of Buyers' products. Buyers are responsible for their products and applications using TI components. To minimize the risks associated with Buyers' products and applications, Buyers should provide adequate design and operating safeguards.

TI does not warrant or represent that any license, either express or implied, is granted under any patent right, copyright, mask work right, or other intellectual property right relating to any combination, machine, or process in which TI components or services are used. Information published by TI regarding third-party products or services does not constitute a license to use such products or services or a warranty or endorsement thereof. Use of such information may require a license from a third party under the patents or other intellectual property of the third party, or a license from TI under the patents or other intellectual property of TI.

Reproduction of significant portions of TI information in TI data books or data sheets is permissible only if reproduction is without alteration and is accompanied by all associated warranties, conditions, limitations, and notices. TI is not responsible or liable for such altered documentation. Information of third parties may be subject to additional restrictions.

Resale of TI components or services with statements different from or beyond the parameters stated by TI for that component or service voids all express and any implied warranties for the associated TI component or service and is an unfair and deceptive business practice. TI is not responsible or liable for any such statements.

Buyer acknowledges and agrees that it is solely responsible for compliance with all legal, regulatory and safety-related requirements concerning its products, and any use of TI components in its applications, notwithstanding any applications-related information or support that may be provided by TI. Buyer represents and agrees that it has all the necessary expertise to create and implement safeguards which anticipate dangerous consequences of failures, monitor failures and their consequences, lessen the likelihood of failures that might cause harm and take appropriate remedial actions. Buyer will fully indemnify TI and its representatives against any damages arising out of the use of any TI components in safety-critical applications.

In some cases, TI components may be promoted specifically to facilitate safety-related applications. With such components, TI's goal is to help enable customers to design and create their own end-product solutions that meet applicable functional safety standards and requirements. Nonetheless, such components are subject to these terms.

No TI components are authorized for use in FDA Class III (or similar life-critical medical equipment) unless authorized officers of the parties have executed a special agreement specifically governing such use.

Only those TI components which TI has specifically designated as military grade or "enhanced plastic" are designed and intended for use in military/aerospace applications or environments. Buyer acknowledges and agrees that any military or aerospace use of TI components which have *not* been so designated is solely at the Buyer's risk, and that Buyer is solely responsible for compliance with all legal and regulatory requirements in connection with such use.

TI has specifically designated certain components as meeting ISO/TS16949 requirements, mainly for automotive use. In any case of use of non-designated products, TI will not be responsible for any failure to meet ISO/TS16949.

Products

Audio	www.ti.com/audio
Amplifiers	amplifier.ti.com
Data Converters	dataconverter.ti.com
DLP® Products	www.dlp.com
DSP	dsp.ti.com
Clocks and Timers	www.ti.com/clocks
Interface	interface.ti.com
Logic	logic.ti.com
Power Mgmt	power.ti.com
Microcontrollers	microcontroller.ti.com
RFID	www.ti-rfid.com
OMAP Applications Processors	www.ti.com/omap
Wireless Connectivity	www.ti.com/wirelessconnectivity

Applications

Automotive and Transportation	www.ti.com/automotive
Communications and Telecom	www.ti.com/communications
Computers and Peripherals	www.ti.com/computers
Consumer Electronics	www.ti.com/consumer-apps
Energy and Lighting	www.ti.com/energy
Industrial	www.ti.com/industrial
Medical	www.ti.com/medical
Security	www.ti.com/security
Space, Avionics and Defense	www.ti.com/space-avionics-defense
Video and Imaging	www.ti.com/video

TI E2E Community

e2e.ti.com