

# CAR SPEAKER SYSTEM Zg 20 C/S/2

9 6153 003

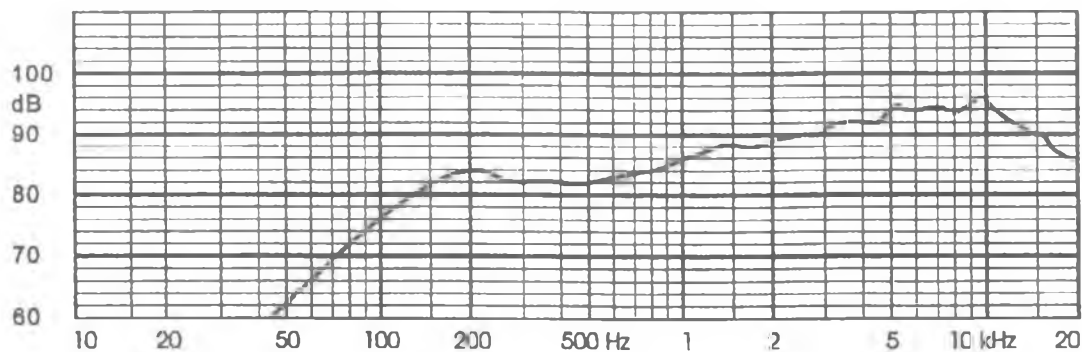
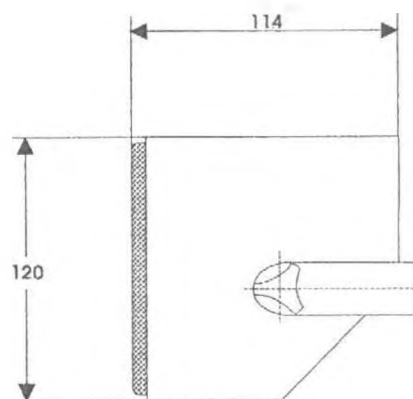
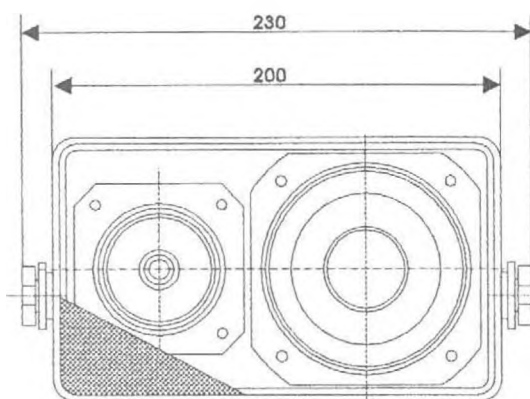
## TECHNICAL DATA

System type  
Rated impedance  
Rated frequency range  
Rated input power  
Max. input power  
Sensitivity  
Crossover frequencies  
Loudspeakers:

air suspension  
4  $\Omega$   
120 - 20000 Hz  
20 W  
40 W  
85 dB  
3,5 kHz

Mass

GDN 10/20/1 - 4  $\Omega$   
GDW 7/15 - 15  $\Omega$   
2,6 kg



FREQUENCY RESPONSE CURVE  
Measured in anechoic room at 1W, 1m, free field.