

LOUDSPEAKER SYSTEM ZgC-40-4/8-689

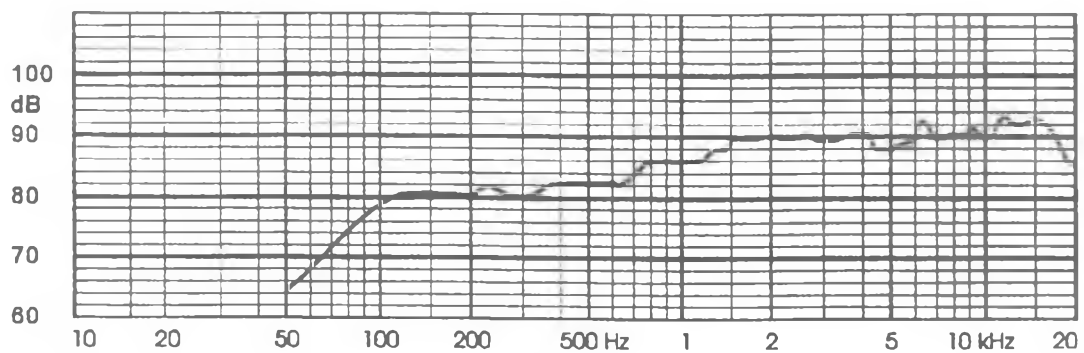
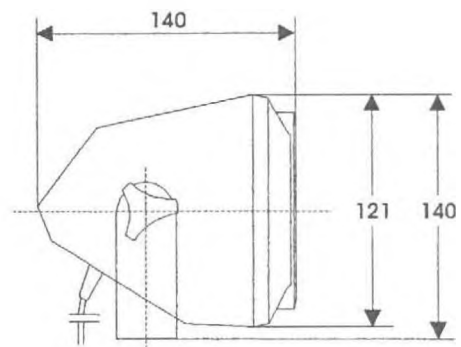
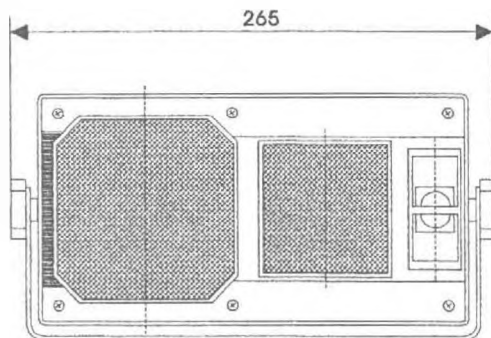
9 6114 003

TECHNICAL DATA

System type	air suspension	
Rated Impedance	4	8 Ω
Rated frequency range	80 - 20000	Hz
Rated Input power	40	W
Max. input power	100	W
Sensitivity	87	dB
Crossover frequencies	6	kHz
Loudspeakers:	GDN 10/30 - 4	GDN 10/30 - 8 Ω
	GDW 5/50 - 8	GDW 5/50 - 15 Ω
	piezoceramic: PCA 1	PCA 1
Mass	1,3	kg

AVAILABLE VERSIONS

- ZgC-40-4-689 L, left, catalogue number 9 6114 003 01
- ZgC-40-4-689 P, right, catalogue number 9 6114 003 02
- ZgC-40-8-689 L, left, catalogue number 9 6114 003 03
- ZgC-40-8-689 P, right, catalogue number 9 6114 003 04



FREQUENCY RESPONSE CURVE
Measured in anechoic room at 1W, 1m, free field.