

e 815 S

Dynamic Vocal Microphone

The e 815 S is a general purpose cardioid microphone giving good quality at an affordable price. It features a rugged metal body, high suppression of handling noise and excellent rejection of feedback and spillage.

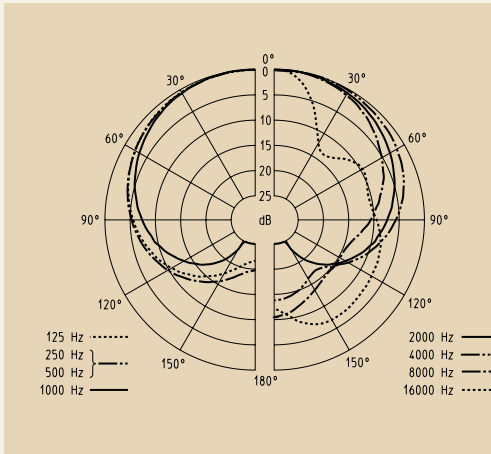


- All-metal construction
- Shock-mounted capsule
- Neodym-iron-boron magnet for high output levels
- Noiseless on/off reed switch, can be locked in the "on" position
- Hum compensating coil
- Professional-standard feedback rejection

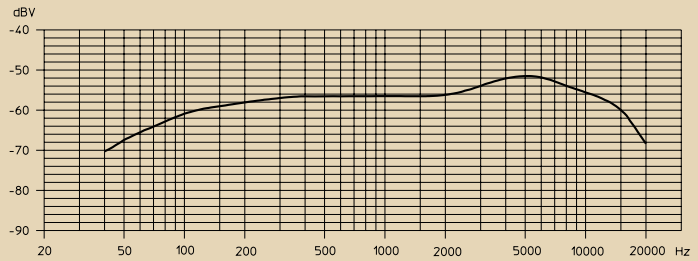


Specifications

Polar diagram



Frequency response curve



Microphone	e 815 S
Pick-up pattern	cardioid
Frequency response	80 – 12,000 Hz
Nominal impedance	350 Ω
Min. terminating impedance	1000 Ω
Sensitivity in free field, no load (1 kHz)	1,5 mV/Pa
Weight	330 g
Dimensions	48 x 180 mm

Variants	Cat. No.	EAN	UPC
e 815 S-C with microphone clip	009425	40 06087 09425 9	6 15104 09425 3
e 815 S-J with cable, 5 m, jack plug and microphone clip	009426	40 06087 09426 6	6 15104 09426 0
e 815 S-X with cable, 5m, XLR-plug and microphone clip	009427	40 06087 09427 3	6 15104 09427 7