

D-80 CARDIOID DYNAMIC MICROPHONE

Features

- brass housing for exceptional ruggedness
- excellent feedback rejection
- highly effective windscreen for suppression of wind and pop noise
- ON/OFF switch
- matte-black finish reduces glare

Description

The AKG D 80 is a cardioid dynamic microphone which was designed for both vocal and music applications. It is particularly suited for use with high quality sound reinforcement systems and cassette decks.

By virtue of its cardioid response (it is most sensitive to sounds arriving at the microphone from in front of it (direction A), half as sensitive to sounds arriving from the sides (directions B, D), and suppresses sounds arriving from the rear (direction C) the D 80 is highly unsusceptible to feedback (which is very important for musicians) and insensitive to ambient noise.

The microphone shaft is made of brass and a strong steel wire-mesh grille protects the elastically suspended transducer system. A foam wind and pop filter eliminates pop and breath noise, as well as wind noise when the microphone is used in the open or for wind instrument pick-up.

An ON/OFF switch and a 3-pin XLR connector (male) are incorporated in the microphone shaft. The ON position of the slide switch is indicated by a red dot.

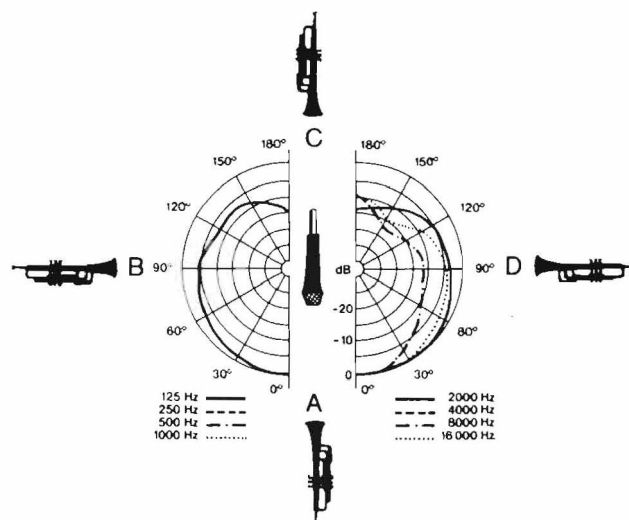
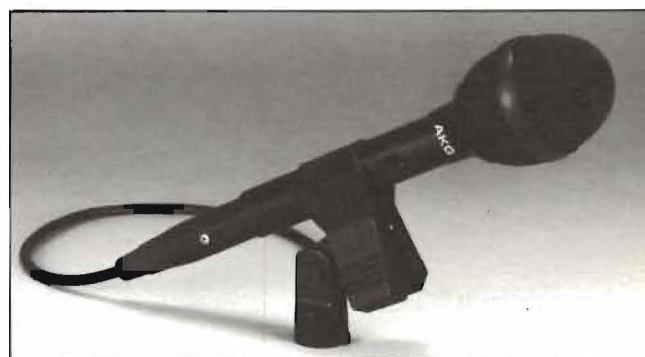
Painted matte black, the D 80 is an unobtrusive microphone which will not produce glare (an important factor if special lighting systems are used).

TYPICAL APPLICATION

Vocals

The human voice is the most expressive musical instrument that exists. The microphone helps bring out all that expressiveness, especially when the acoustic conditions are less than ideal. Singing with a microphone, however, requires a certain discipline and practice. The following hints are intended to help you make full use of your D 80's sound potential.

Proximity Effect: This phenomenon is common to all dynamic microphones (except the AKG two way-cardioid microphones)



and occurs when the microphone is close to the sound source. Its effect is a boost of low frequencies.

You may also want to utilize proximity effect to give more body and an intimate sound to your voice. Basically your voice will sound "bigger" and mellower, the closer your lips are to the microphone, while a longer working distance will produce a more brilliant and distant sound. You may utilize this effect to make your voice or instrument sound aggressive, neutral, insinuating, etc., just as the music requires, simply by changing the working distance.

TECHNICAL DATA

Transducer Type: Dynamic
 Directional Characteristic: Cardioid
 Frequency Range: 60-15,000 Hz
 Nominal Impedance: 210 ohms
 Recommended Load Impedance: ≥ 500 ohms
 Sensitivity at 1 kHz:
 Open Circuit: 1.6 mV/Pa; -55.9 dBV*
 Maximum power level: -55 dBm (re: 1 mW/10 dynes/cm²)
 EIA G_m: -147 dBm
 Tolerance: ± 3 dB
 Sound Pressure Level for 1% THD:
 1000 Hz: 128 dB
 Hum Sensitivity (1 mG field; 60 Hz): -145 dBm
 Case Material: Steel (head); brass (housing)

Net Weight: 210 g ($\approx 7\frac{1}{4}$ oz)

Included Accessories:

SA-26 clothespin stand adapter with 5/8-in. -27 thread
 MC-15 5m (15 ft.) cable with female XLR-to-1/4" phone plug (D-80E with MC-15E (15 ft.) cable with female XLR-to-male XLR connectors)

Optional Accessories:

SA-30 flex. snap-in stand adapter with 5/8-in. -27 thread
 W-23 foam windscreen, grey
 GN-7E, GN-14E, GN-20E modular flexible-gooseneck kits
 KM-series floor and boom stands, stand accessories
 ST-series table stands
 MCH-series heavy-duty microphone-cable assemblies

*1 Pa (Pascal) = 10 μ b = 10 dynes/cm² \approx 94 dB SPL