

W300S-4

Visaton 30 cm (12") HiFi woofer 4 Ohm (9040)

THIS IS AN OUTFRACING PRODUCT YOU CAN ONLY ORDER 0 PIECES !

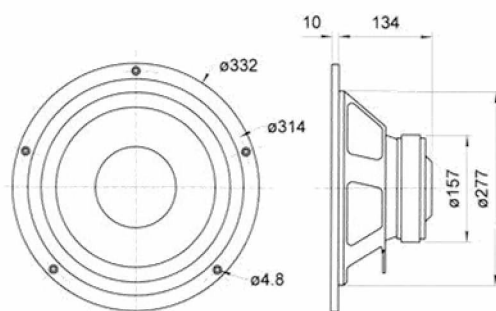


General description

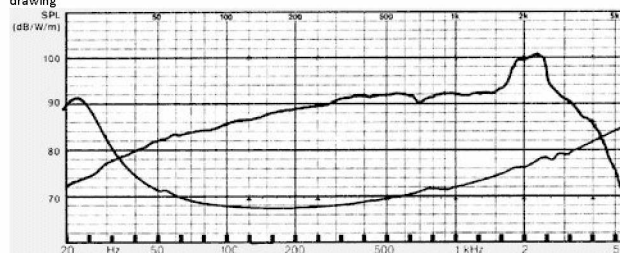
30 cm (12") HiFi woofer with powerful drive, extended rear pole plate and long stroke surround. 50 mm voice-coil for high power handling. Very suitable for large 3-way and 4-way combinations and for high power handling subwoofers.

Technical Data:

Nominal power handling	150 Watt
Peak power handling	200 Watt
Nominal impedance	4 Ohm
Frequency response (-10 dB)	fu - 4200 Hz
(fu: Lower cut-off frequency depending on cabinet)	.
Mean sound pressure level	92 dB (1W/1m)
Maximum cone displacement	28 mm
Resonance frequency fs	22 Hz
Magnetic induction	1,1 Tesla
Magnetic flux	1400 μ Weber
Height of front pole-plate	8 mm
Voice coil diameter	5 cm
Height of winding	1,85 cm
Cutout diameter	28 cm
Net weight	4,5 kg
D.C. resistance Rdc	3,6 Ohm
Mechanical Q factor Qms	1,78
Electrical Q factor Qes	0,34
Total Q factor Qts	0,29
Equivalent volume Vas	310 l
Effective piston area Sd	507 cm ²
Dynamically moved mass Mms	62 g
Force factor Bxl	8,4 T · m
Inductance of the voice coil L	1,1 mH



drawing



frequency response