

## TIW300

Visaton 30 cm (12") high-end woofer (1364)

[BACK](#)

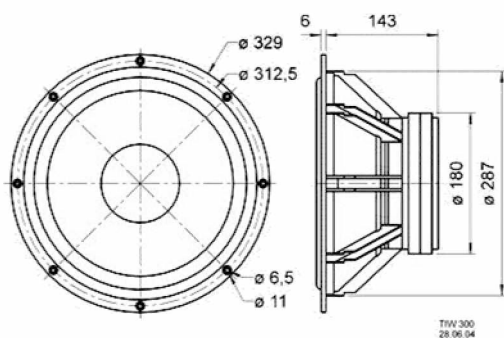


### General description

**30 cm (12") high-end woofer** with a black cellulose diaphragm, large-format magnet arrangement and a massive aluminium diecast basket. Thanks to the multiple venting of the voice coil (pole piece hole, holes in the pole piece plate, cutouts in the aluminium diecast cone to vent the spider from behind) losses and flow noise are minimised. The combination of the voice coil carrier made of capton and the large 65 mm voice coil allow extremely high volume levels.

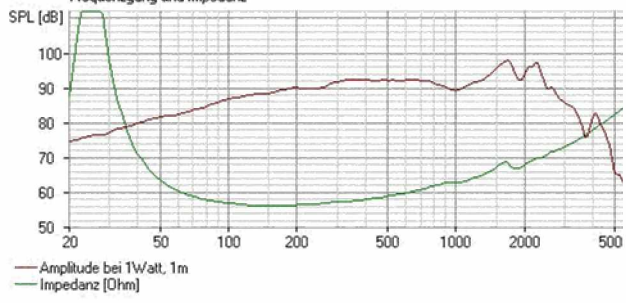
### Technical Data:

Rated power	300 W
Maximum power	600 W
Nominal impedance	8 Ohm
Frequency response (-10 dB)	fu - 4000 Hz
(fu: Lower cut-off frequency depending on cabinet)	.
Mean sound pressure level	90 dB (1W/1m)
Maximum cone displacement	+/- 16 mm
Resonance frequency fs	25 Hz
Magnetic induction	1,1 T
Magnetic flux	1800 µWeber
Height of front pole-plate	8 mm
Voice coil diameter	65 mm
Height of winding	23 mm
Cutout diameter	288 mm
Net weight	7 kg
D.C. resistance Rdc	5,4 Ohm
Mechanical Q factor Qms	4,59
Electrical Q factor Qes	0,30
Total Q factor Qts	0,28
Equivalent volume Vas	160 l
Effective piston area Sd	510 cm <sup>2</sup>
Dynamically moved mass Mms	92 g
Force factor Bxl	16,5 Tm
Inductance of the voice coil L	1,7 mH



drawing

**Visaton TIW 300 - 8 Ohm**  
Frequenzgang und Impedanz



frequency response