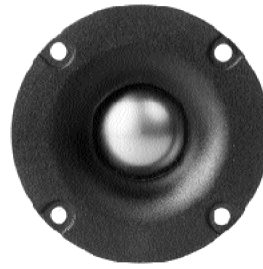


## TWEETER

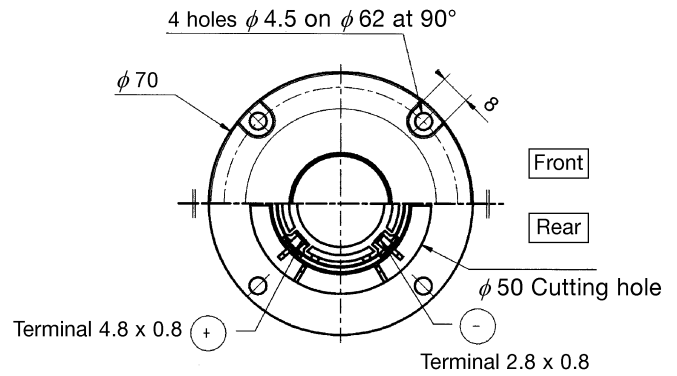
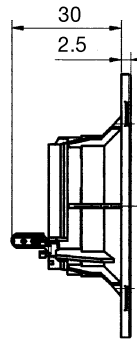
TM025F5 D04II20070  
101919B

### TM025 . Round . Titanium 4Ω 25 mm



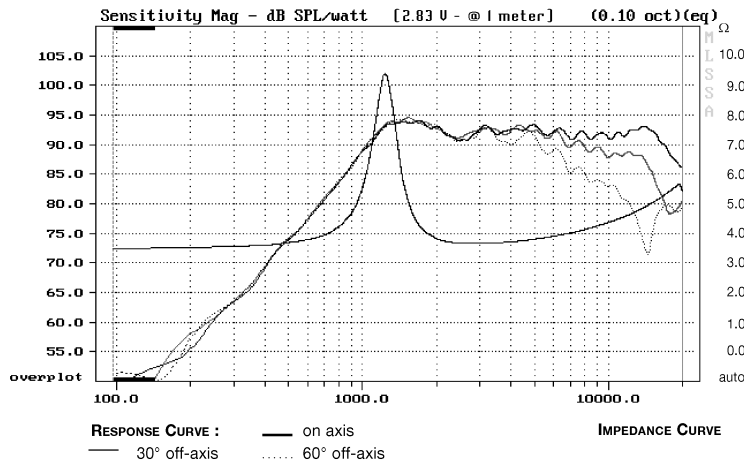
Nov .98

- Profile IV titanium dome for smooth response
- Compact and light design (round)
- Smooth response face plate profile
- Pure titanium diaphragm - Optimized profile IV
- High energy neodymium magnet (20 times ceramic magnet)
- Compact overmoulded magnet system Inherently shielded
- Ferrofluid cooled voice coil (new generation - 250 cps)
- Soft polymer suspension

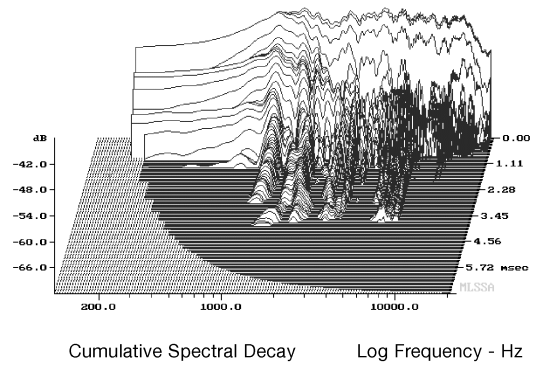


All dimensions in mm

## Response Curve



## Waterfall



### SPECIFICATIONS

Technical characteristics	Symbol	Value	Units
<b>PRIMARY APPLICATION</b>			
Nominal Impedance	Z	4	Ω
Nominal Power Handling	P	60	W
<b>VOICE COIL</b>			
Number of Layers	-	2	-
Wire type	-	round	-
Wire material	-	copper	-
Former material	-	Aluminium	-
Voice coil winding height	-	1,7	mm
Voice coil diameter	φ	25	mm

### SPECIFICATIONS

Technical characteristics	Symbol	Value	Units
<b>PARAMETERS</b>			
Sensitivity (2,83 V - 1m)	E	92	dB
Speaker Mass	m	55	g
<b>MAGNET</b>			
Magnet dimensions	φ x h	25x3	mm
Magnetic Induction	B	1	T
Magnetic Stray Flux	Fmag	-	A/m
Gap Height	He	2	mm
Linear excursion Capability	Xmax	±	mm

## Suggested Application

Crossover Frequency	Slope	Inductance	Capacitor	Power Handling
Hz	dB / Oct.	mH	mF	W
4300	6	-	8,2	50
2650	12	0,3	12	60