

## TG/TC 3½" Woofer



Type Number: TG9WD-10-04

### Features:

The TG/TC series offers a high performance full range and mid-bass solution for TV products and other compact applications. Extensive development work by the Peerless audio engineering team, and the use of leading-edge technologies like polymer-chassis, NRSC (Tymphany patent) Glass Fibre or Paper Cone and CU-cap on pole piece, have made this full range driver appear on many industry insider lists as the best sounding solution in this market.

Driver Highlights: 3½" midwoofer, polymer-chassis, glass fibre cone, NRSC cone



### Specs:

#### Electrical Data

Nominal impedance	Zn	4	ohm
Minimum impedance	Zmin	--	ohm
Maximum impedance	Zo	--	ohm
DC resistance	Re	3.2	ohm
Voice coil inductance	Le	0.26	mH

#### T-S Parameters

Resonance Frequency	fs	82	Hz
Mechanical Q factor	Qms	3.16	
Electrical Q factor	Qes	0.6	
Total Q factor	Qts	0.5	
Force factor	Bl	2.6	Tm
Mechanical resistance	Rms	--	Kg/s
Moving mass	Mms	2.45	g
Suspension compliance	Cms	--	mm/N
Effective cone diameter	D	--	cm
Effective piston area	Sd	38	cm <sup>2</sup>
Equivalent volume	Vas	3.16	ltrs
Sensitivity (2.83V/1m)		86.5	dB
Ratio BL/√(Re)		--	
Ratio fs/Qts	F	--	

#### Power handling

100h RMS noise test (IEC)	--	W
Long-term Max Power (IEC 18.3)	--	W
Max linear SPL (rms) @ power	--	dB/W
Short Term Max power (IEC 18.2)	--	W

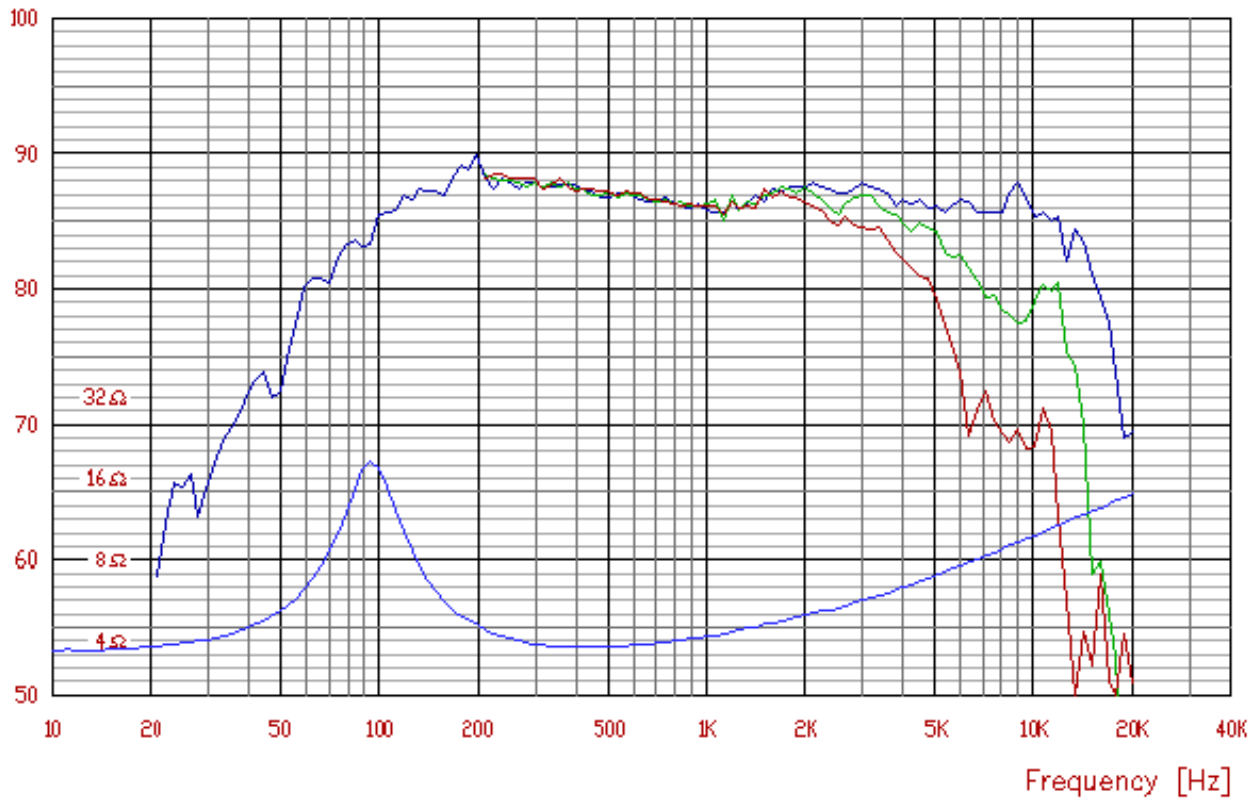
#### Voice Coil and Magnet Parameters

Voice coil diameter	20	mm
Voice coil height	9.2	mm
Voice coil layers	--	
Height of the gap	4	mm
Linear excursion +/-	--	mm
Max mech. excursion +/-	--	mm
Flux density of gap	--	mWb
Total useful flux	--	mWb
Diameter of magnet	--	mm
Height of magnet	--	mm
Weight of magnet	0.105	Kg

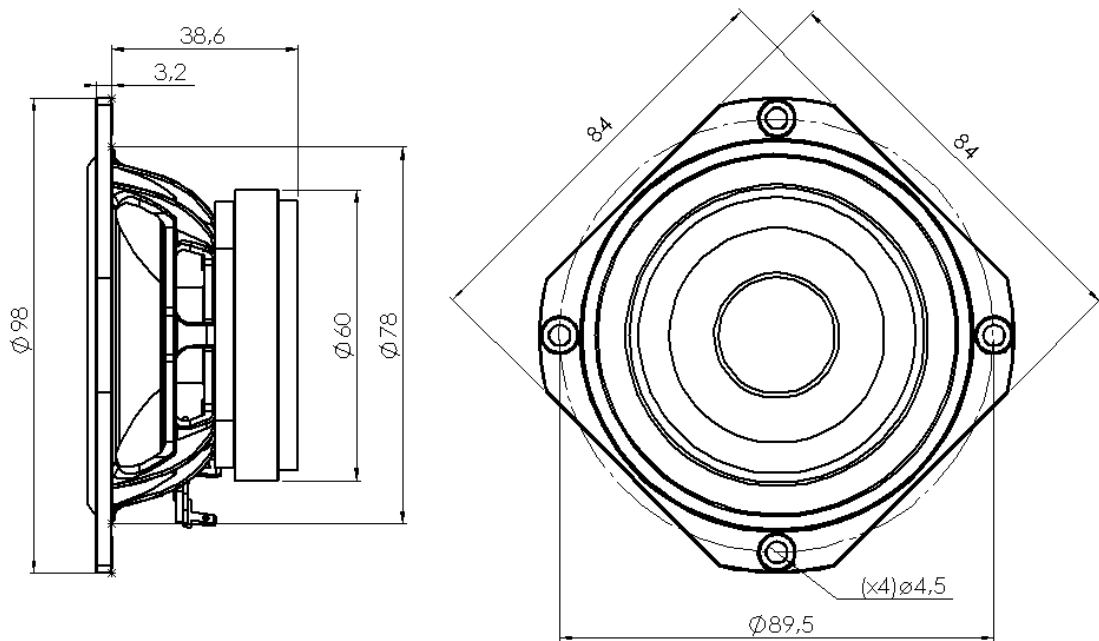
Notes:  
IEC specs refer to IEC 60268-5 third edition.  
All Tymphany products are RoHS compliant.

Frequency: TG9WD-10-04

SPL [dB]



Mechanical Dimensions: TG9WD-10-04



TG9WD-10-04