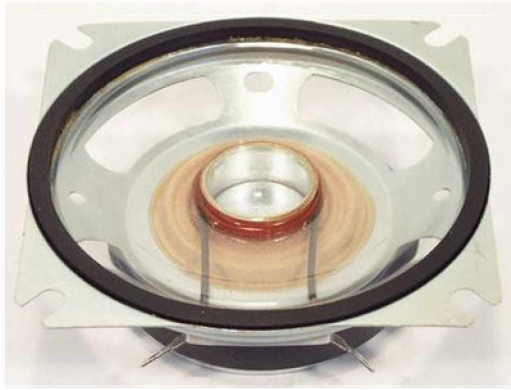


## SL87WPM-4

Visaton waterproof 8 cm (3.3") fullrange speaker (2087)

[BACK](#)



### General description

Waterproof 8 cm (3.3") fullrange speaker with a transparent plastic cone and rubber sealing ring. High mean sound pressure level and compact design. Optimised for voice and signal output.

### Typical applications:

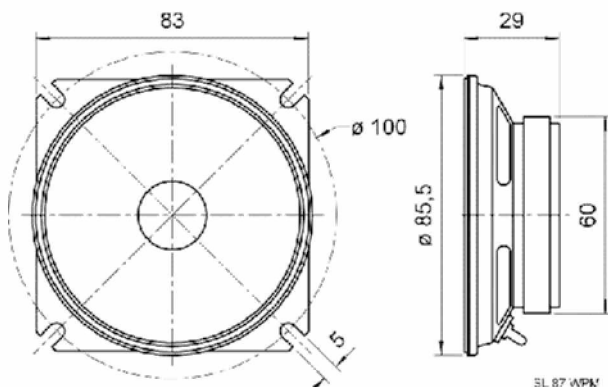
- Control speaker for electronic devices
- Outdoor sound reinforcement systems

### Attributes :

- UV-resistant
- weather-resistant

### Technical Data:

Rated power 20 W  
Maximum power 30 W  
Nominal impedance 2.4 Ohm  
Frequency response 200–5000 Hz  
Mean sound pressure level 89 dB (1 W/1 m)  
Maximum cone displacement 3 mm  
Resonance frequency  $f_s$  350 Hz  
Magnetic induction 0.87 T  
Magnetic flux 165  $\mu$ Wb  
Height of front pole-plate 3 mm  
Voice coil diameter 20 mm  
Height of winding 5 mm  
Cutout diameter 80 mm  
Net weight 0,24 kg  
Protective system IP 65  
Heat resistance –40 ... 70 °C



SL 87 WPM  
02 C2.07

drawing

