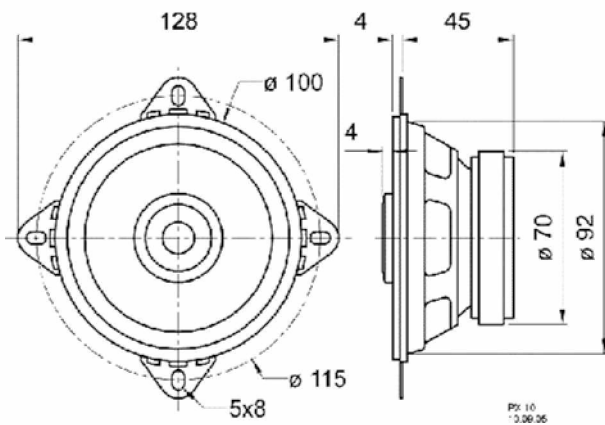


## PX10-4

Visaton 10 cm (4") 2-way coaxial loudspeakers, waterproof PP-cone (4600)



<b>General description</b>
10 cm (4") 2-way coaxial loudspeaker with standard basket and piezoelectric tweeter. Straightforward installation in vehicles with cutouts for 10 cm speakers. Waterproof PP-cone.
<b>Typical applications:</b>
- Vehicles - Mobile homes
<b>Attributes:</b>
- Polypropylene cone - Metal basket - Coaxial speaker
<b>Technical Data:</b>
Rated power 20 W Maximum power 30 W Nominal impedance 2.4 Ohm Frequency response 70–18000 Hz Mean sound pressure level 83 dB (1 W/1 m) Resonance frequency $f_s$ 110 Hz Voice coil diameter 20 mm Cutout diameter 93 mm Net weight 0,385 kg Heat resistance -25 ... 70 °C



drawing

Vision FX 10 - 4 Ohm  
Frequenzgang und Impedanz

