

MHT12

Visaton high-end tweeter-range magnetostat 150 Watt 8 Ohm (1080)

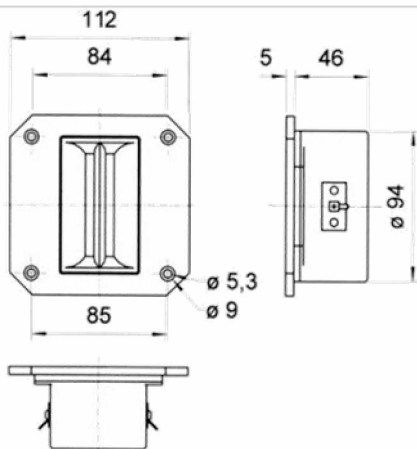


High-end magnetostat

Effective from 3000 Hz upwards due to the large diaphragm area and low self-resonance. The extremely thin base layer of the diaphragm means there is very little mass to set in motion which guarantees a high degree of signal fidelity and broad frequency response. High efficiency is guaranteed by the neodymium boron magnets. Low distortion factor, good power-handling capabilities, highly linear impedance and amplitude frequency response and the broad frequency response range make the MHT 12 a highly versatile tweeter unit for the discerning listener. Screened magnets.

Technical Data:

Nominal power handling	150 Watt
(12 dB/Okt.; 3000 Hz)	
Peak power handling	200 Watt
(12 dB/Okt.; 3000 Hz)	
Nominal impedance	8 Ohm
Frequency response (-10 dB)	2000 - 40000 Hz
Mean sound pressure level	91 dB (1W/1m)
Cutout diameter	∅ 95 mm
Net weight	0,56 kg
D.C. resistance Rdc	7,7 Ohm



drawing

