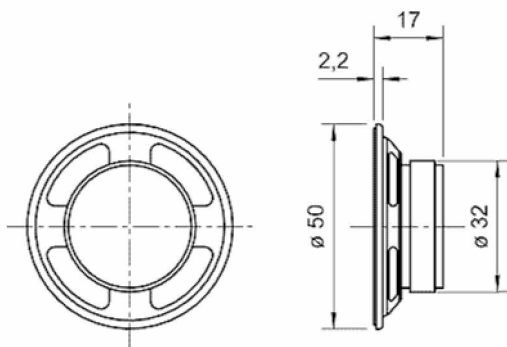


## K50

Visaton 5 cm (2") HiFi fullrange driver (2901)



<b>General description</b>
5 cm (2") miniature speaker with plastic diaphragm and metal basket. Thanks to its compact dimensions, suitable for signal output in machines and other equipment where space is at a premium.
<b>Typical applications:</b>
- Voice and signal output in machines and other equipment both indoors and outdoors
<b>Attributes:</b>
- Plastic: Mylar (diaphragm)
- Functionally at cold according to EN 60068-2-1/EN 50155
- Metal basket
- UV-resistant
<b>Technical Data:</b>
Rated power 2 W
Maximum power 3 W
Nominal impedance 2.8 Ohm
Frequency response 250–10000 Hz
Mean sound pressure level 83 dB (1 W/1 m)
Resonance frequency $f_s$ 400 Hz
Height of front pole-plate 2 mm
Voice coil diameter 14 mm
Height of winding 3 mm
Cutout diameter 45 mm
Net weight 0,05 kg
Protective system IP 65
Heat resistance -40 ... 70 °C



drawing