

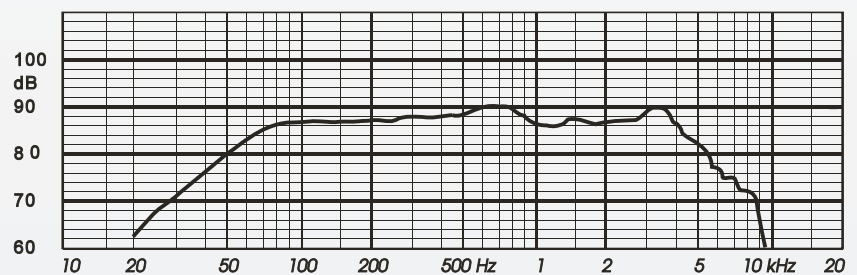
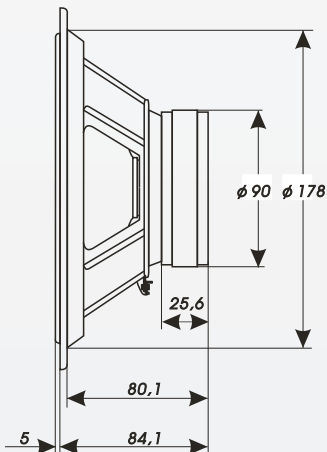
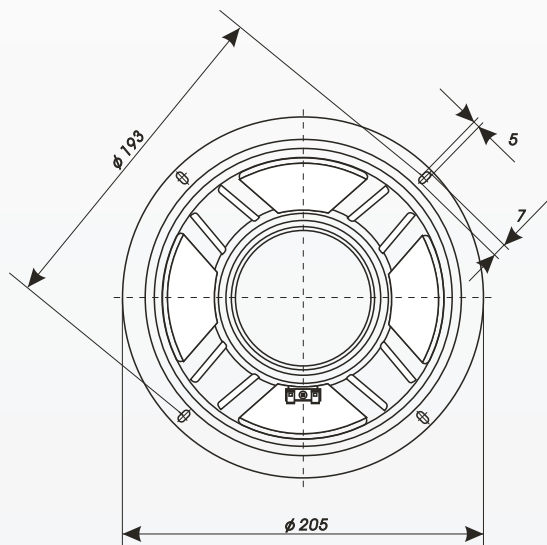
WOOFER GDN 20/80

TECHNICAL DATA

Rated impedance	8	Ω
Voice coil resistance	6,5	Ω
Rated frequency range	44 to 4500	Hz
Resonance frequency	44	Hz
Power handling capacity / enclosure 24 dm ³ , 100 h continuous /	80	W
Max. power	125	W
Sensitivity	87	dB
Flux density	0,93	T
Energy in air gap	300	mJ
Force factor - Bl	9,2	Tm
Piston area - S _D	0,022	m ²
Total moving mass - M _{MS}	0,024	kg
Compliance /loudspeaker unmounted/ - C _{MS}	0,6 x 10 ⁻³	m/N
Equivalent box volume - V _{AS}	0,039	m ³
Quality factor /loudspeaker unmounted/		
- mechanical - Q _{MS}	3,3	
- electrical - Q _{ES}	0,52	
- total - Q _{TS}	0,44	
Air - gap	35/4,6/1,62	mm
Voice coil height	8,8	mm
Magnet		
- material	ferrite	
- dimensions	90/45/15,5	mm
- mass	0,3	kg
Mass of loudspeaker	1,2	kg

AVAILABLE VERSIONS

- GDN 20/80 - 8 Ω , catalogue number 9 5151 162 01 - black cone



FREQUENCY RESPONSE CURVE

Measured in anechoic room at 1W/1m. Loudspeaker mounted in sealed 24 dm³ enclosure.