



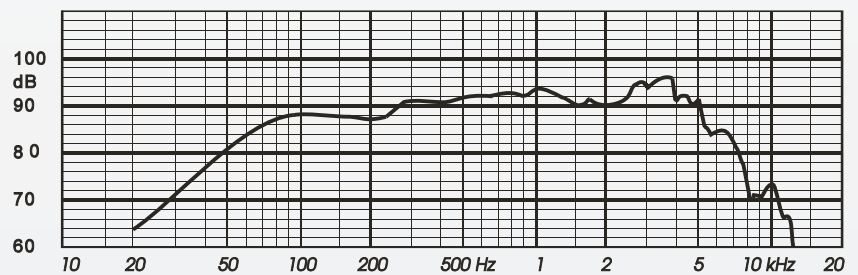
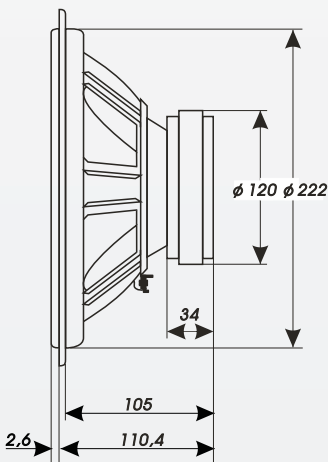
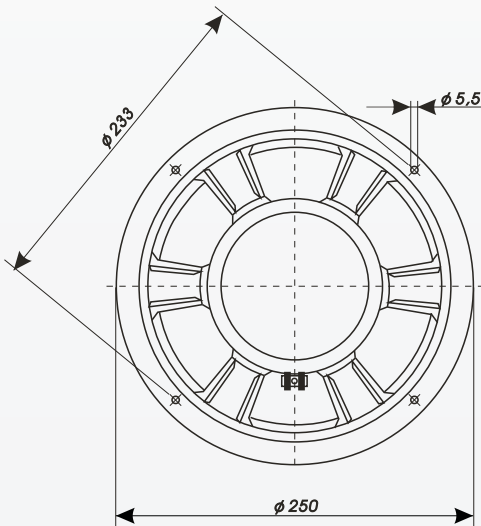
## WOOFER GDN 25/60 GDN 25/60/1

### TECHNICAL DATA

Rated impedance	8	Ω
Voice coil resistance	7	Ω
Rated frequency range	60 to 5000	Hz
Resonance frequency	37	Hz
Power handling capacity / enclosure 35 dm <sup>3</sup> , 100 h continuous /	60	W
Max. power	120	W
Sensitivity	92	dB
Flux density	0,81	T
Energy in air gap	486,7	mJ
Force factor - Bl	10,2	Tm
Piston area - S <sub>D</sub>	0,033	m <sup>2</sup>
Total moving mass - M <sub>MS</sub>	0,026	kg
Compliance /loudspeaker unmounted/ - C <sub>MS</sub>	71,3 x 10 <sup>-6</sup>	m/N
Equivalent box volume - V <sub>AS</sub>	0,11	m <sup>3</sup>
Quality factor /loudspeaker unmounted/		
- mechanical - Q <sub>MS</sub>	2,76	
- electrical - Q <sub>ES</sub>	0,42	
- total - Q <sub>TS</sub>	0,36	
Air - gap	48/8/1,5	mm
Voice coil height	13,5	mm
Magnet		
- material	ferrite	
- dimensions	120/60/18	mm
- mass	0,76	kg
Mass of loudspeaker	2,6	kg

### AVAILABLE VERSIONS

- GDN 25/60 - 8 Ω , catalogue number 9 5151 032 01
- GDN 25/60/1 - 8 Ω , catalogue number 9 5151 032 12



FREQUENCY RESPONSE CURVE

Measured in anechoic room at 1W/1m. Loudspeaker mounted in sealed 35 dm<sup>3</sup> enclosure.