

WOOFER GDN 20/40/16

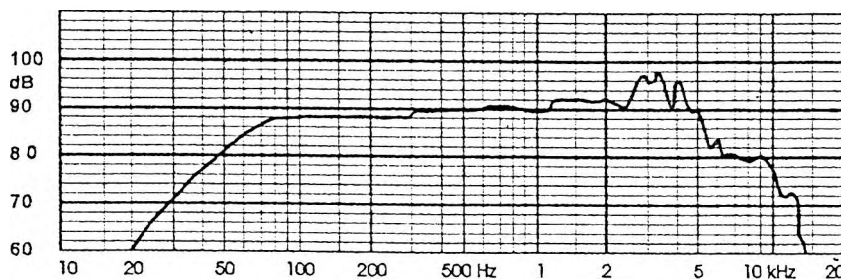
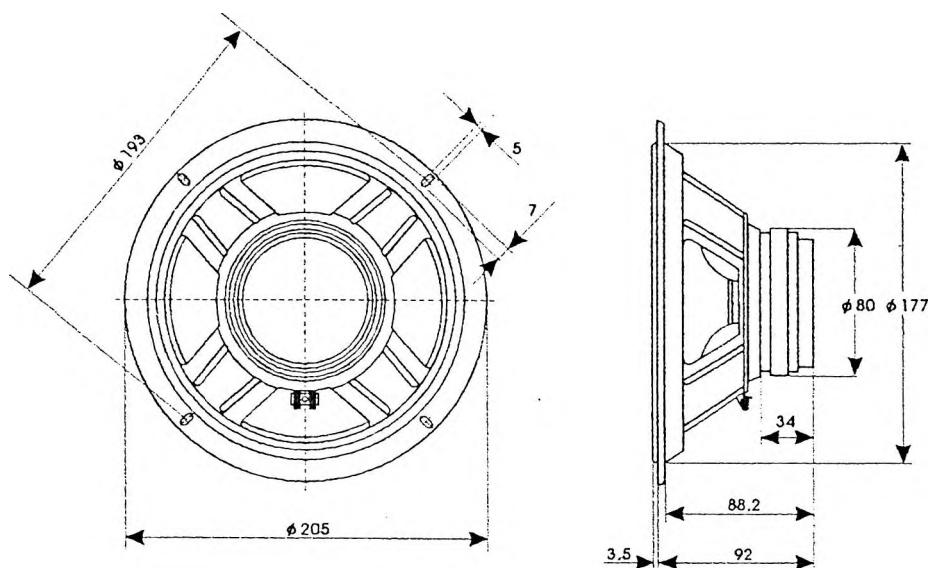
9 5151 060

TECHNICAL DATA

Rated impedance	6	Ω
Voice coil resistance	5	Ω
Rated frequency range	80 to 5000	Hz
Resonance frequency	51	Hz
Power handling capacity / enclosure 24 dm ³ , 100 h continuous /	40	W
Max. power	60	W
Sensitivity	90	dB
Flux density	0,9	T
Energy in air gap	178,5	mJ
Force factor - Bl	5,77	Tm
Piston area - S _D	0,022	m ²
Total moving mass - M _{MS}	0,014	kg
Compliance /loudspeaker unmounted/ - C _{MS}	70,1x10 ⁻⁵	m/N
Equivalent box volume - V _{AS}	0,048	m ³
Quality factor /loudspeaker unmounted/		
- mechanical - Q _{MS}	2,14	
- electrical - Q _{ES}	0,73	
- total - Q _{TS}	0,55	
Air - gap	25/6/1,125	mm
Voice coil height	10	mm
Magnet		
- material	ferrite	
- dimensions	70/32/10 ; 80/40/12	mm
- mass	0,38	kg
Mass of loudspeaker	1,05	kg

AVAILABLE VERSIONS

- GDN 20/40/16 - 6 Ω , catalogue number 9 5151 060 01



FREQUENCY RESPONSE CURVE

Measured in anechoic room at 1W/1m. Loudspeaker mounted in sealed 24 dm³ enclosure.