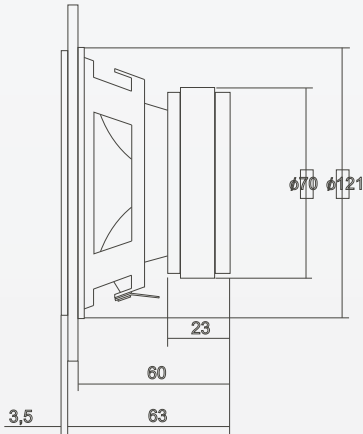
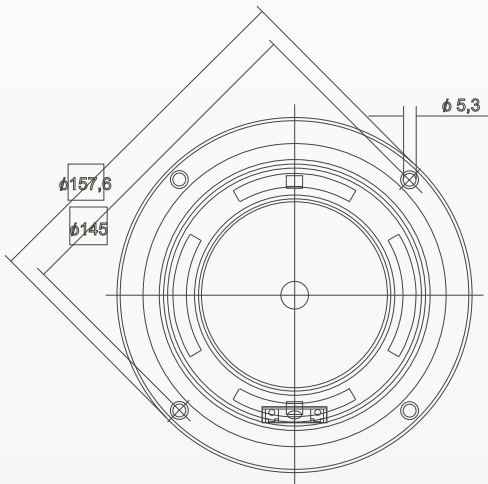


WOOFER GDN 13/30/18



TECHNICAL DATA

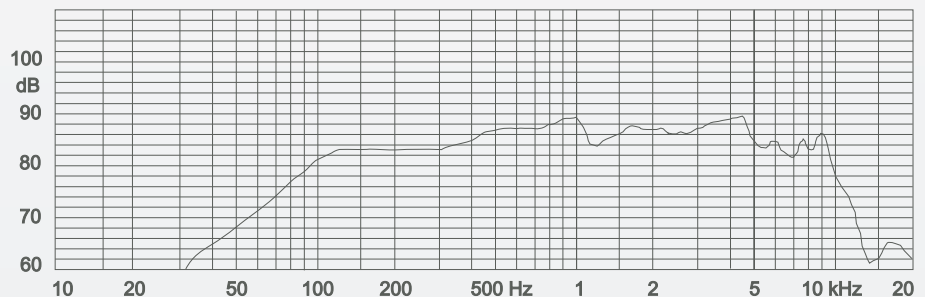
Rated impedance	8	Ω
Voice coil resistance	6,9	Ω
Voice coil inductance	0,39	mH@1kHz
Rated frequency range	100 to 5000	Hz
Resonance frequency	60	Hz
Power handling capacity		
/ enclosure 5 dm ³ , 100 h continuous /	30	W
Max. power	60	W
Sensitivity	85	dB
Flux density	1,0	T
Energy in air gap	147	mJ
Force factor - Bl	4,85	Tm
Piston area - S _D	89 x 10 ⁻⁴	m ²
Total moving mass - M _{MS}	8,7 x 10 ⁻³	kg
Compliance /loudspeaker unmounted/ - C _{MS}	0,92 x 10 ⁻³	m/N
Equivalent box volume - V _{AS}	10,3 x 10 ⁻³	m ³
Quality factor /loudspeaker unmounted/		
- mechanical - Q _{MS}	2,30	
- electrical - Q _{ES}	0,89	
- total - Q _{TS}	0,64	
Air - gap	25/4/1,125	mm
Voice coil height	8,5	mm
Magnet		
- material	ferrite	
- dimensions	70/32/15	mm
- mass	0,23	kg
Mass of loudspeaker	0,85	kg

The loudspeaker has a coated paper cone, a foam surround, and an aluminium voice coil former.

Connection is by tag connectors or by soldering.

AVAILABLE VERSIONS

- GDN 13/30/18 - 8 Ω , catalogue number 9 5151 283 03 - diaphragm covered with black damping-sealing material, vented T-Yoke.



FREQUENCY RESPONSE CURVE

Measured in anechoic room at 1W/1m. Loudspeaker mounted in sealed 5 dm³ enclosure.