

FULL RANGE LOUDSPEAKER GD 7-13/1,5

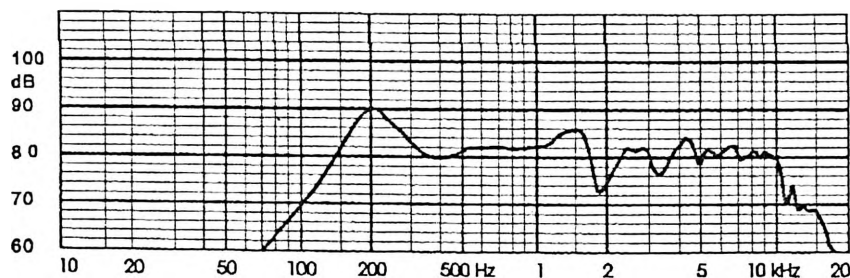
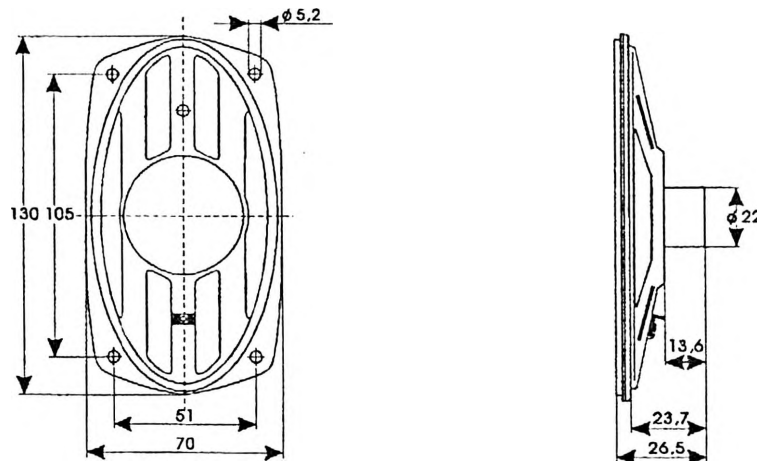
9 5115 025

TECHNICAL DATA

Rated impedance	4	8	15	Ω
Voice coil resistance	3,6	7,7	14	Ω
Rated frequency range		210 to 7000		Hz
Resonance frequency		210		Hz
Power handling capacity / loudspeaker unmounted, 100 h continuous /		1,5		W
Max. power		2		W
Sensitivity	86		84	dB
Flux density		0,53		T
Energy in air gap		10,1		mJ
Air - gap		13/3/0,7		mm
Voice coil height	3,5		3,6	mm
Magnet				
- material		cobalt		
- dimensions		13x12		mm
- mass		0,0115		kg
Mass of loudspeaker		0,09		kg

AVAILABLE VERSIONS

- GD 7-13/1,5 - 4Ω, catalogue number 9 5115 025 01
- GD 7-13/1,5 - 8Ω, catalogue number 9 5115 025 02
- GD 7-13/1,5 - 15Ω, catalogue number 9 5115 025 03



FREQUENCY RESPONSE CURVE

Measured in anechoic room at 0,1W/0,5m. Loudspeaker mounted on IEC baffle.