

G25FFL

Visaton 25 mm (1") fabric dome driver 8 Ohm (1175)

[BACK](#)

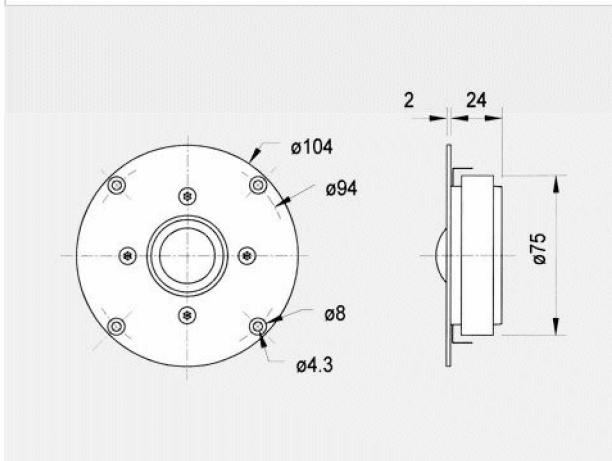


General description

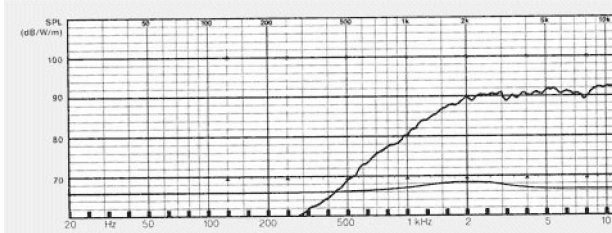
25 mm (1") fabric dome driver for the high-frequency range above 2000 Hz. Due to the optimised dome shape with double coating in conjunction with the highly damped surround, linear frequency response has been made possible. Due to the powerful magnetic driver and the ferrofluid-cooled voice-coil high efficiency and high power handling can be guaranteed.

Technical Data:

Nominal power handling with high pass	80 Watt (12 dB/Okt.; 2000 Hz)
Peak power handling with high pass	140 Watt (12 dB/Okt.; 2000 Hz)
Nominal impedance	8 Ohm
Frequency response (-10 dB)	1000 - 30000 Hz
Mean sound pressure level	90 dB (1W/1m)
Resonance frequency fs	1500 Hz
Magnetic induction	1,7 Tesla
Magnetic flux	425 μ Weber
Voice coil diameter	2,5 cm
Cutout diameter	8 cm
Net weight	0,56 kg
D.C. resistance Rdc	5,8 Ohm
Mechanical Q factor Qms	0,82
Electrical Q factor Qes	1,76
Total Q factor Qts	0,56
Effective piston area Sd	5 cm ²
Dynamically moved mass Mms	0,29 g
Inductance of the voice coil L	0,09 mH



drawing



frequency response