

## DSM25FFL

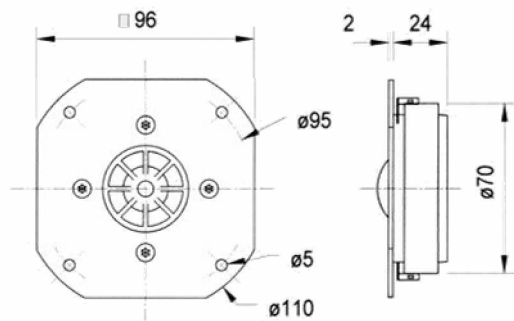
Visaton 25 mm (1") High-End titanium dome driver

[BACK](#)

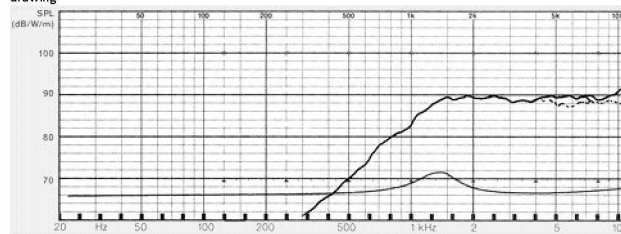


### General description

Nominal power handling with high pass 80 W (12 dB/Okt.; 2000 Hz)  
Peak power handling with high pass 140 W (12 dB/Okt.; 2000 Hz)  
Nominal impedance  $Z_8$  8 Ohm  
Frequency response 1000–30000 Hz Mean sound pressure level 90 dB (1 W/1 m)  
Resonance frequency  $f_s$  1600 Hz  
Magnetic induction 1,7 T  
Magnetic flux 425  $\mu$ Wb  
Height of front pole-plate 2,5 mm  
Voice coil diameter 25 mm  
Height of winding 2 mm  
Cutout diameter 80 mm  
Net weight 0,53 kg  
D.C. resistance  $R_{dc}$  5,9 Ohm  
Mechanical Q factor  $Q_{ms}$  1,83  
Electrical Q factor  $Q_{es}$  1,87  
Total Q factor  $Q_{ts}$  0,92  
Effective piston area  $S_d$  4,9  $cm^2$



### drawing



frequency response