

**Classic  
6½" Midwoofer**



**Type Number:** 18W/8542-00

**Features:**

The Classic line consists of all the highly regarded transducers that have been appraised and loved by so many customers over the years. The goal has been to assemble all the diamonds, developed over the years, speakers that fully live up to the heritage of the brand.

Driver Highlights: Paper cone, foam surround, SD motor



**Specs:**

**Electrical Data**

Nominal impedance	Zn 8 ohm
Minimum impedance	Zmin -- ohm
Maximum impedance	Zo -- ohm
DC resistance	Re 5.5 ohm
Voice coil inductance	Le 0.2 mH

**T-S Parameters**

Resonance Frequency	fs 30 Hz	
Mechanical Q factor	Qms 1.7	
Electrical Q factor	Qes 0.26	
Total Q factor	Qts 0.22	
Force factor	Bl 7.8 Tm	
Mechanical resistance	Rms 1.7 Kg/s	
Moving mass	Mms 15 g	
Suspension compliance	Cms -- mm/N	
Effective cone diameter	D -- cm	
Effective piston area	Sd 135 cm <sup>2</sup>	
Equivalent volume	Vas 49 ltrs	
Sensitivity (2.83V/1m)	89	dB
Ratio BL/√(Re)	--	
Ratio fs/Qts	F --	

**Power handling**

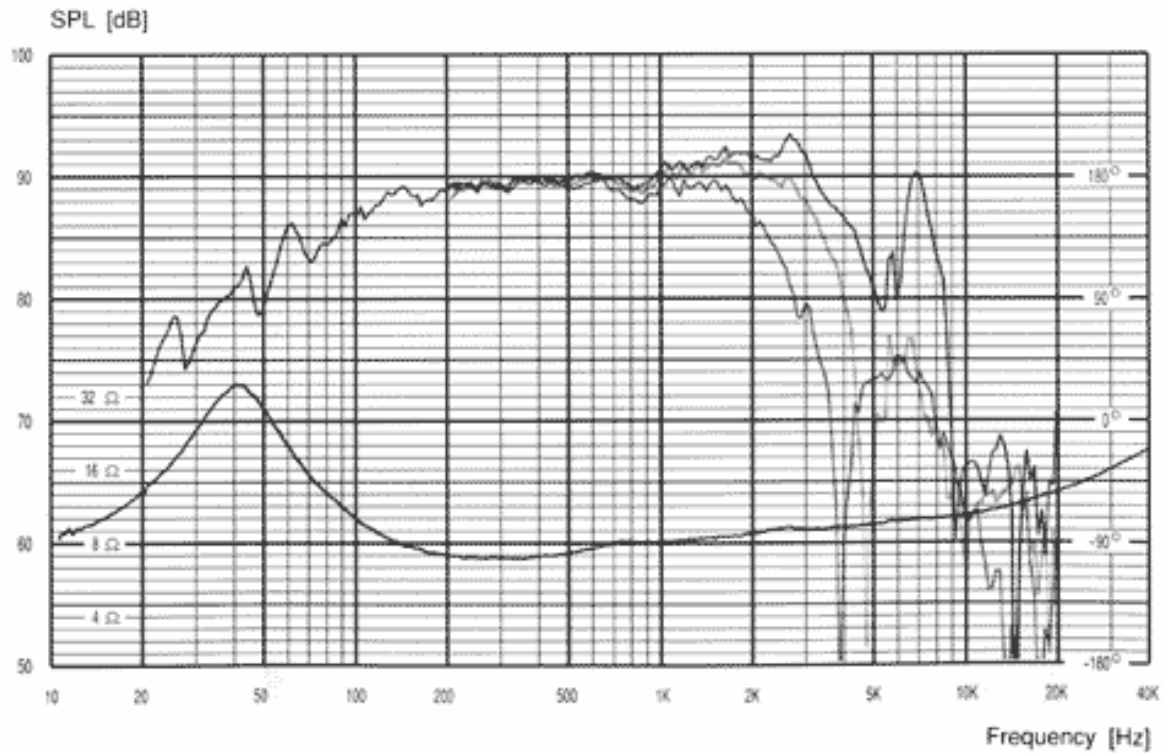
100h RMS noise test (IEC)	70 W
Long-term Max Power (IEC 18.3)	-- W
Max linear SPL (rms) @ power	-- dB/W
Short Term Max power (IEC 18.2)	-- W

**Voice Coil and Magnet Parameters**

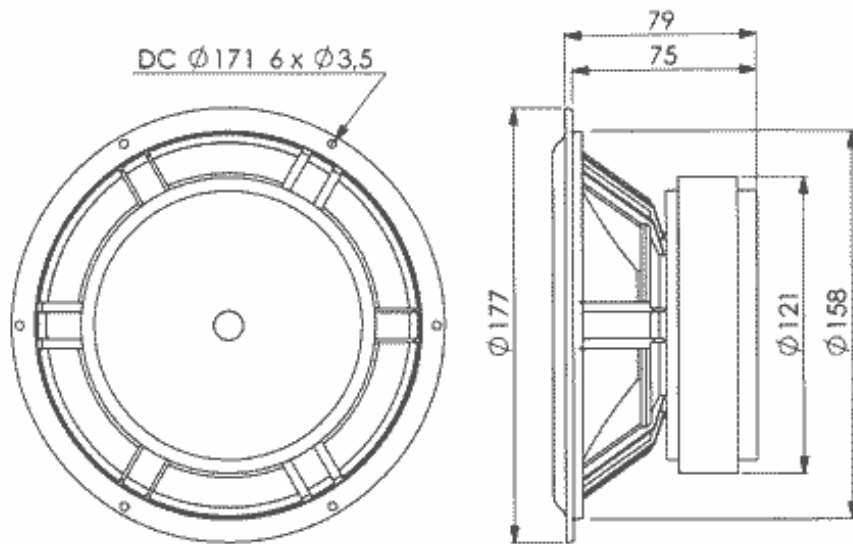
Voice coil diameter	42 mm
Voice coil height	-- mm
Voice coil layers	--
Height of the gap	-- mm
Linear excursion +/-	6.5 mm
Max mech. excursion +/-	10 mm
Flux density of gap	-- mWb
Total useful flux	-- mWb
Diameter of magnet	-- mm
Height of magnet	-- mm
Weight of magnet	-- Kg

Notes:  
IEC specs refer to IEC 60268-5 third edition.  
All ScanSpeak products are RoHS compliant.

Frequency: 18W/8542-00



Mechanical Dimensions: 18W/8542-00



- Drawing Dimensions**
- Outside Diameter
  - Flange Thickness
  - Magnet Diameter
  - Cutout Diameter
  - Interior Depth
  - Hole Diameter
  - Screw Circle Diameter