

## WS20E-8

Visaton 20 cm (8") HiFi woofer 8 Ohm

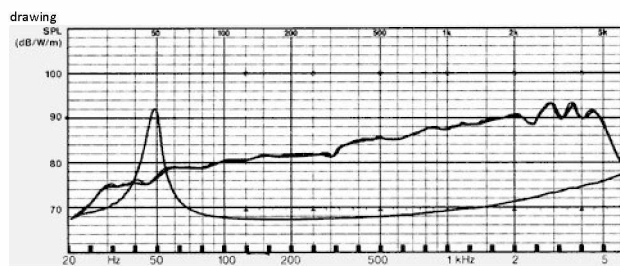
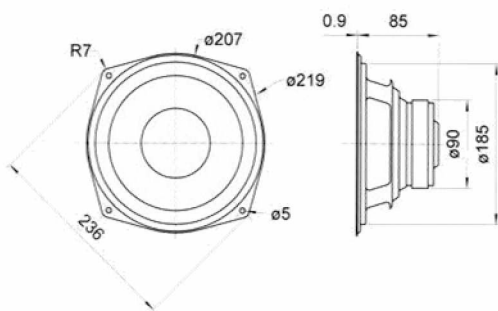


### General description

20 cm (8") HiFi woofer with polypropylene cone. Due to balanced frequency response curve suitable as low-midrange driver for large 4-way speaker systems. Due to the special basket design suitable as replacement driver for many HiFi speakers.

### Technical Data:

Nominal power handling	80 Watt
Peak power handling	120 Watt
Nominal impedance	8 Ohm
Frequency response (-10 dB)	fu - 7000 Hz
(fu: Lower cut-off frequency depending on cabinet)	.
Mean sound pressure level	88 dB (1W/1m)
Maximum cone displacement	12 mm
Resonance frequency fs	49 Hz
Magnetic induction	0,85 Tesla
Magnetic flux	400 $\mu$ Weber
Height of front pole-plate	5 mm
Voice coil diameter	3 cm
Height of winding	1,1 cm
Cutout diameter	18,6 cm
Net weight	1,3 kg
D.C. resistance Rdc	6,3 Ohm
Mechanical Q factor Qms	4,26
Electrical Q factor Qes	1,27
Total Q factor Qts	0,98
Equivalent volume Vas	48 l
Effective piston area Sd	240 cm <sup>2</sup>
Dynamically moved mass Mms	21 g
Force factor BxI	5,5 T · m
Inductance of the voice coil L	1 mH



frequency response