

## WS13E

Visaton 13 cm (5") low-midrange driver 8 Ohm

[BACK](#)

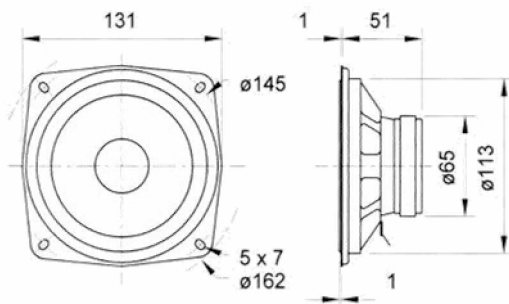


### General description

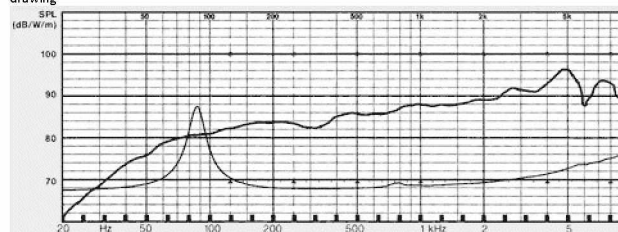
13 cm (5") low-midrange driver with paper cone and elastic rubber surround. Due to the special basket design especially suitable as replacement driver for many HiFi speakers.

### Technical Data:

Nominal power handling	40 Watt
Peak power handling	60 Watt
Nominal impedance	8 Ohm
Frequency response (-10 dB)	$f_u$ - 12000 Hz
( $f_u$ : Lower cut-off frequency depending on cabinet)	.
Mean sound pressure level	86 dB (1W/1m)
Maximum cone displacement	15 mm
Resonance frequency $f_s$	83 Hz
Magnetic induction	1 Tesla
Magnetic flux	250 $\mu$ Weber
Height of front pole-plate	4 mm
Voice coil diameter	2 cm
Height of winding	0,55 cm
Cutout diameter	11,3 cm
Net weight	0,34 kg
D.C. resistance $R_{dc}$	7,7 Ohm
Mechanical Q factor $Q_{ms}$	3,52
Electrical Q factor $Q_{es}$	1,56
Total Q factor $Q_{ts}$	1,08
Equivalent volume $V_{as}$	7,4 l
Effective piston area $S_d$	86,5 cm <sup>2</sup>
Dynamically moved mass $M_{ms}$	5,1 g
Force factor $B_{xl}$	3,6 T · m
Inductance of the voice coil $L$	0,75 mH



### drawing



frequency response