

TIW200XS

Visaton 20 cm (8") High-end woofer



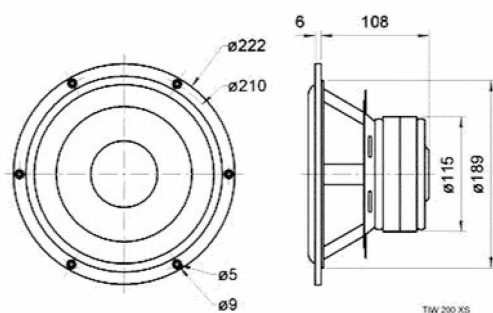
General description

20 cm (8") High-end woofer specially for use as a small subwoofer. The extra-wide elastic cone, the long voice coil and particularly large magnet arrangement give this speaker extremely long excursion. Thanks to the multiple venting of the voice coil (pole piece hole, holes in the pole piece plate, cutouts in the aluminium diecast cone to vent the centring unit from behind) losses and flow noise are minimised. The capton voice coil carrier and the long voice coil enable the driver to withstand considerable loads. The diaphragm is a sandwich construction made up of layers of fibreglass and polyester fabric which makes it particularly rigid and low in resonance.

These design features result in high level accuracy and excellent low-range bass imaging even in smaller cabinets.

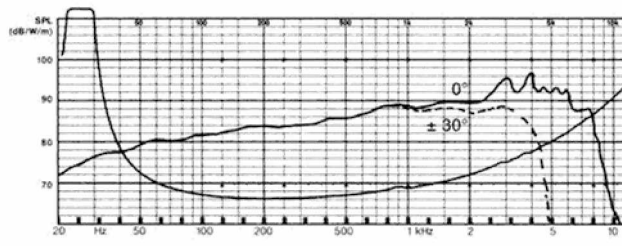
Technical Data:

Rated power	120 Watt
Maximum power	180 Watt
Nominal impedance	8 Ohm
Frequency response (-10 dB)	f_u - 7500 Hz
(f_u : Lower cut-off frequency depending on cabinet)	.
Mean sound pressure level	84 dB (1W/1m)
Maximum cone displacement	25 mm
Resonance frequency f_s	31 Hz
Magnetic induction	1,1 Tesla
Magnetic flux	1050 μ Weber
Height of front pole-plate	8 mm
Voice coil diameter	38 mm
Height of winding	30 mm
Cutout diameter	190 mm
Net weight	3,5 kg
D.C. resistance R_{dc}	5,9 Ohm
Mechanical Q factor Q_{ms}	2,84
Electrical Q factor Q_{es}	0,48
Total Q factor Q_{ts}	0,41
Equivalent volume V_{as}	47 l
Effective piston area S_d	206 cm ²
Dynamically moved mass M_{ms}	35 g
Force factor B_{xl}	9,1 T m
Inductance of the voice coil L	1,6 mH



TIW 200 XS
18 01 03

drawing



frequency response