

TWEETER

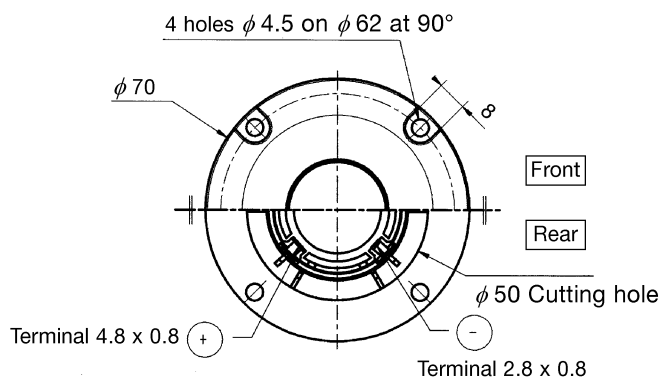
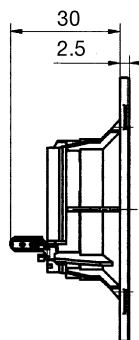
TM025F17 D04TTZ0070
101959Y

TM025 . Round . Textile 4Ω 25 mm



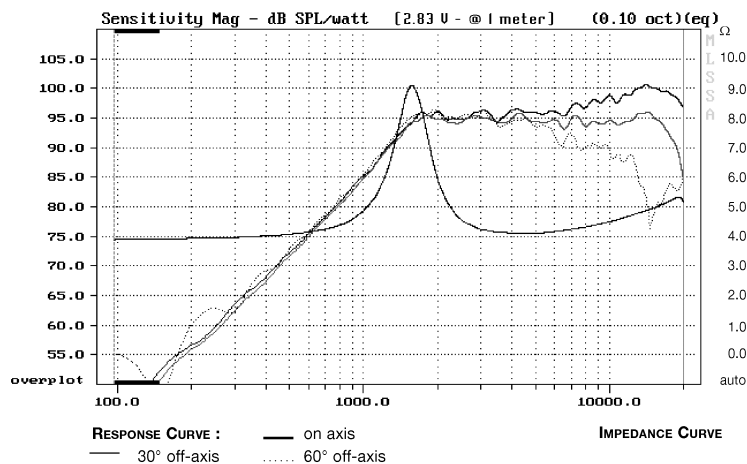
April .99

- Extremely high-efficiency (96 dB - 2,83 V - 1m)
- High energy dual neodymium magnet
- Compact design for small high end systems, home theater, center channel, surround sound
- Smooth response face plate profile
- Critically damped catenary soft dome PE laminate
- Ultra light copper clad aluminium wire voice coil with braided wires
- Compact overmoulded magnet system - inherently shielded

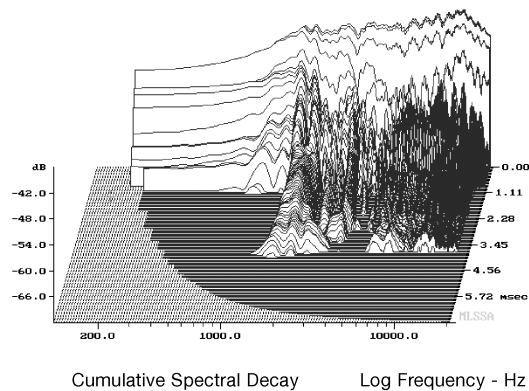


All dimensions in mm

Response Curve



Waterfall



SPECIFICATIONS

Technical characteristics	Symbol	Value	Units
PRIMARY APPLICATION			
Nominal Impedance	Z	4	Ω
Nominal Power Handling	P	60	W
VOICE COIL			
Number of Layers	-	2	-
Wire type	-	round	-
Wire material	-	Aluminium	-
Former material	-	Aluminium	-
Voice coil winding height	-	1,7	mm
Voice coil diameter	φ	25	mm

SPECIFICATIONS

Technical characteristics	Symbol	Value	Units
PARAMETERS			
Sensitivity (2,83 V - 1m)	E	96	dB
Speaker Mass	m	65	g
MAGNET			
Magnet dimensions	φ x h	25x3	mm
Magnetic Induction	B	1	T
Magnetic Stray Flux	Fmag	-	A/m
Gap Height	He	2	mm
Linear excursion Capability	Xmax	±	mm

Suggested Application

Crossover Frequency	Slope	Inductance	Capacitor	Power Handling
Hz	dB / Oct.	mH	mF	W
5850	6	-	6,8	50
3900	12	0,20	18,2	60