

## TWEETER

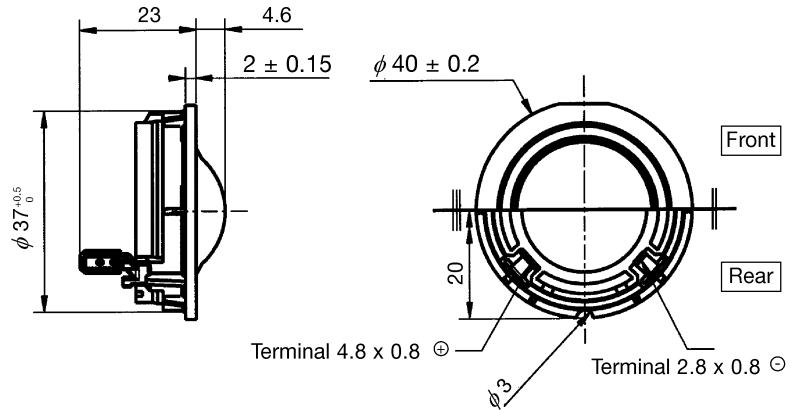
TM025C3 D04IIZ0040  
101969z

### TM025 . Snap-in . Titanium 4 Ω 25 mm



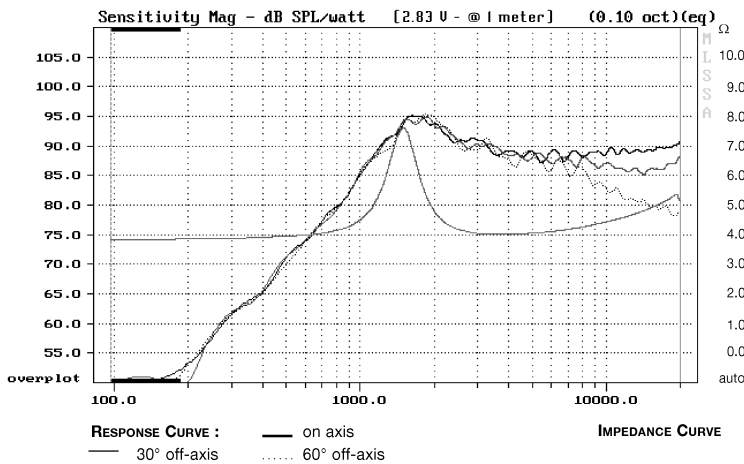
Nov .98

- Profile IV titanium dome for linear response
- Very compact - easy to install for horn-loading to your proprietary front design
- High energy neodymium magnet (20 times ceramic magnet)
- Ultra compact overmoulded design Inherently shielded
- Ferrofluid cooled voice coil (new generation - 250 cps)
- Ultra light copper clad aluminium wire voice coil with braided wires

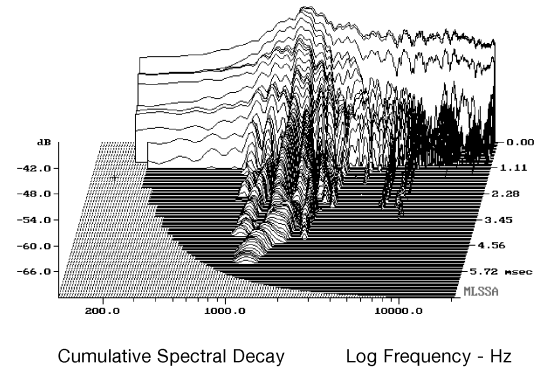


All dimensions in mm

## Response Curve



## Waterfall



### SPECIFICATIONS

Technical characteristics	Symbol	Value	Units
<b>PRIMARY APPLICATION</b>			
Nominal Impedance	Z	4	Ω
Nominal Power Handling	P	60	W
<b>VOICE COIL</b>			
Number of Layers	-	2	-
Wire type	-	round	-
Wire material	-	Aluminium	-
Former material	-	Aluminium	-
Voice coil winding height	-	1,7	mm
Voice coil diameter	φ	25	mm

### SPECIFICATIONS

Technical characteristics	Symbol	Value	Units
<b>PARAMETERS</b>			
Sensitivity (2,83 V - 1m)	E	89	dB
Speaker Mass	m	44	g
<b>MAGNET</b>			
Magnet dimensions	φ x h	25x3	mm
Magnetic Induction	B	1	T
Magnetic Stray Flux	Fmag	-	A/m
Gap Height	He	2	mm
Linear excursion Capability	Xmax	±	mm

## Suggested Application

Crossover Frequency	Slope	Inductance	Capacitor	Power Handling
Hz	dB / Oct.	mH	μF	W
7900	6	-	4,7	50
4540	12	0,15	8,2	60