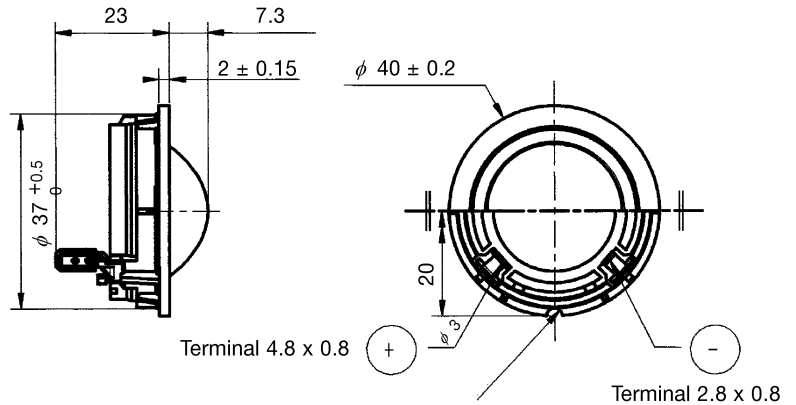


TM025 . Snap-in . Textile 8Ω

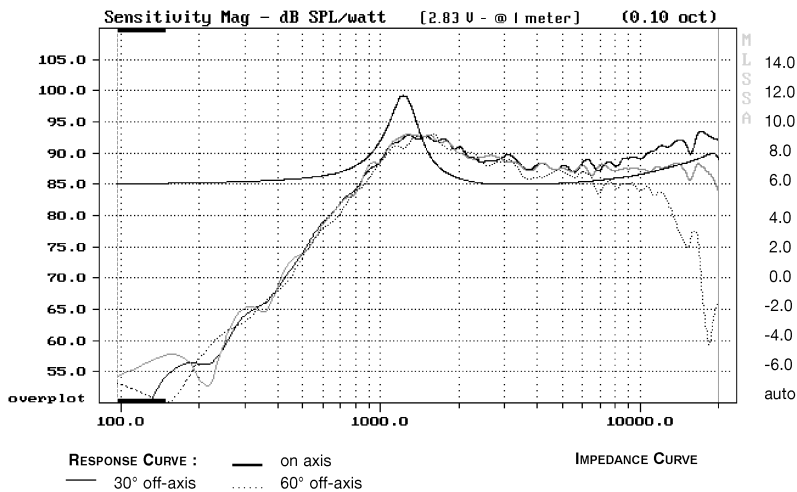


June .99

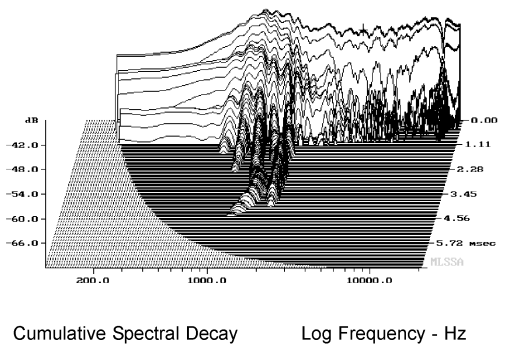
- Very compact - easy to install for horn-loading to your proprietary front design
- High energy neodymium magnet (20 times ceramic magnet)
- Critically damped catenary soft dome
- Ultra compact overmoulded design Inherently shielded
- Ferrofluid cooled voice coil (new generation - 250 cps)



Response Curve



Waterfall



SPECIFICATIONS			
Technical characteristics	Symbol	Value	Units
PRIMARY APPLICATION			
Nominal Impedance	Z	8	Ω
Nominal Power Handling	P	70	W
VOICE COIL			
Number of Layers	-	2	-
Wire type	-	round	-
Wire material	-	Copper	-
Former material	-	Aluminium	-
Voice coil winding height	-	1,6	mm
Voice coil diameter	φ	25	mm

SPECIFICATIONS			
Technical characteristics	Symbol	Value	Units
PARAMETERS			
Sensitivity (2,83 V - 1m)	E	89	dB
Speaker Mass	m	0,043	kg
MAGNET			
Magnet dimensions	φ x h	25x3	mm
Magnetic Induction	B	1,2	T
Magnetic Stray Flux	Fmag	-	A/m
Gap Height	He	1,5	mm
Linear excursion Capability	Xmax	±0,05	mm

Suggested Application

Crossover Frequency	Slope	Inductance	Capacitor	Power Handling
Hz	dB / Oct.	mH	μF	W
4200	6	-	4,7	50
2900	12	0,36	8,2	70