

3½" Midwoofer

Type Number: TC08SD49-08

Features:

Driver Highlights: 3½" midwoofer, polymer-chassis, coated paper cone, NRSC cone, magnetically shielded



Specs:

Electrical Data

Nominal impedance	Zn	8	ohm
Minimum impedance	Zmin	--	ohm
Maximum impedance	Zo	--	ohm
DC resistance	Re	5.45	ohm
Voice coil inductance	Le	0.47	mH

T-S Parameters

Resonance Frequency	fs	100	Hz
Mechanical Q factor	Qms	3.52	
Electrical Q factor	Qes	0.74	
Total Q factor	Qts	0.61	
Force factor	Bl	3.6	Tm
Mechanical resistance	Rms	--	Kg/s
Moving mass	Mms	2.8	g
Suspension compliance	Cms	--	mm/N
Effective cone diameter	D	--	cm
Effective piston area	Sd	35	cm ²
Equivalent volume	Vas	1.55	ltrs
Sensitivity (2.83V/1m)		84	dB
Ratio BL/√(Re)		--	
Ratio fs/Qts	F	--	

Power handling

100h RMS noise test (IEC)	--	W
Long-term Max Power (IEC 18.3)	40	W
Max linear SPL (rms) @ power	--	dB/W
Short Term Max power (IEC 18.2)	40	W

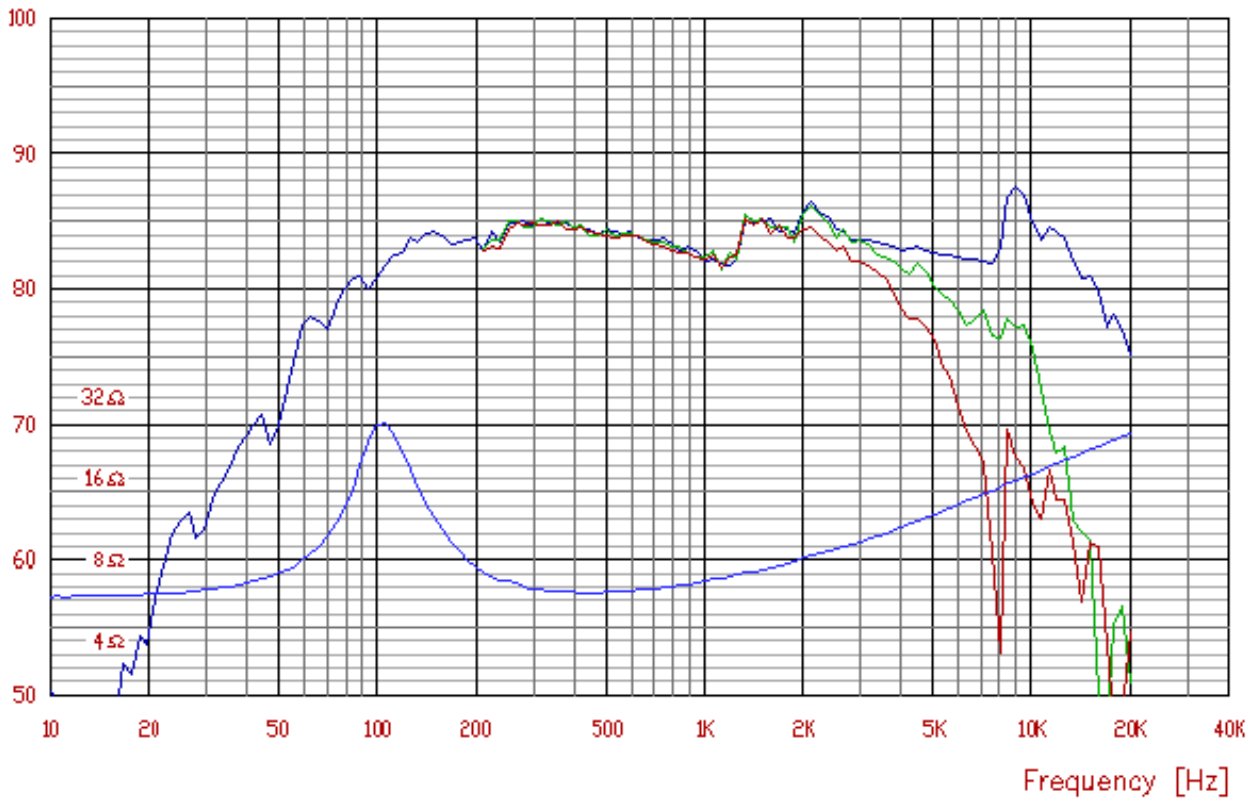
Voice Coil and Magnet Parameters

Voice coil diameter	20	mm
Voice coil height	8	mm
Voice coil layers	--	
Height of the gap	4	mm
Linear excursion +/-	--	mm
Max mech. excursion +/-	--	mm
Flux density of gap	--	mWb
Total useful flux	--	mWb
Diameter of magnet	--	mm
Height of magnet	--	mm
Weight of magnet	0.105	Kg

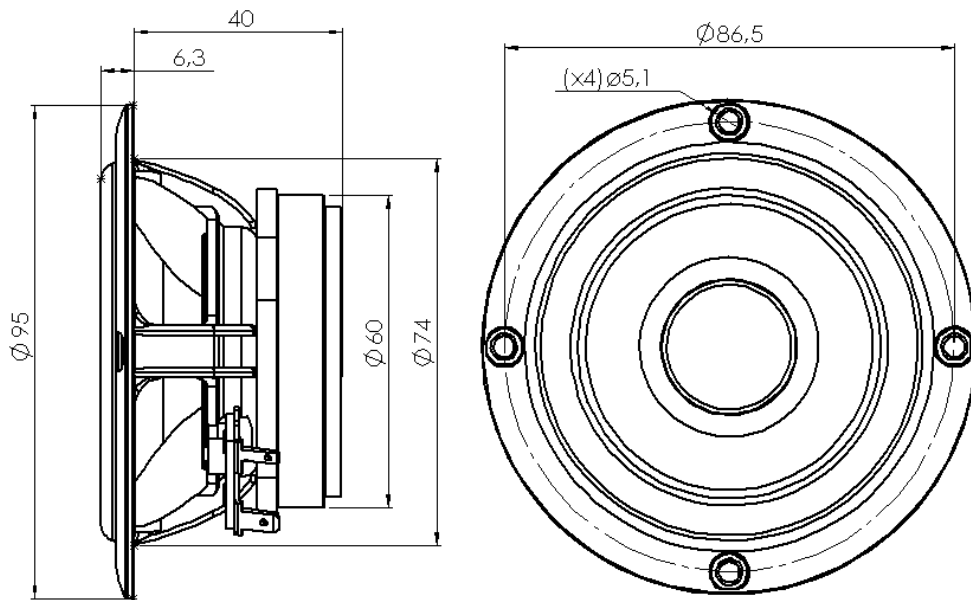
Notes:
IEC specs refer to IEC 60268-5 third edition.
All Tympany products are RoHS compliant.

Frequency: TC08SD49-08

SPL [dB]



Mechanical Dimensions: TC08SD49-08



TC08SD49-08