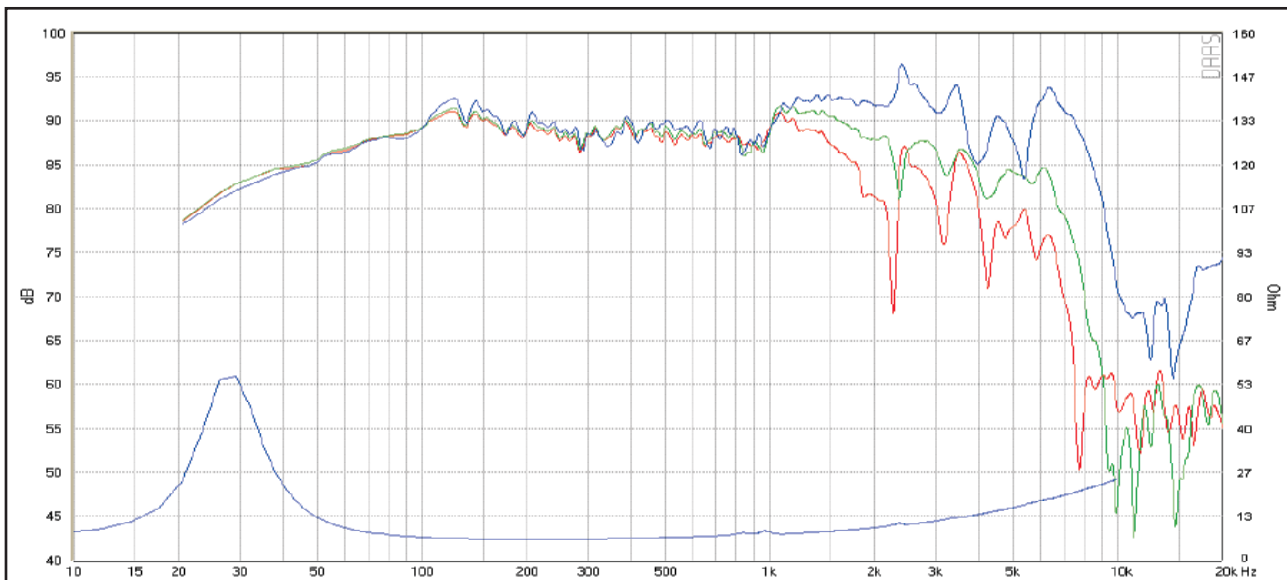
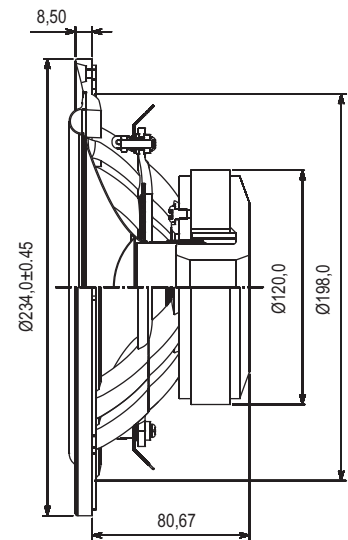
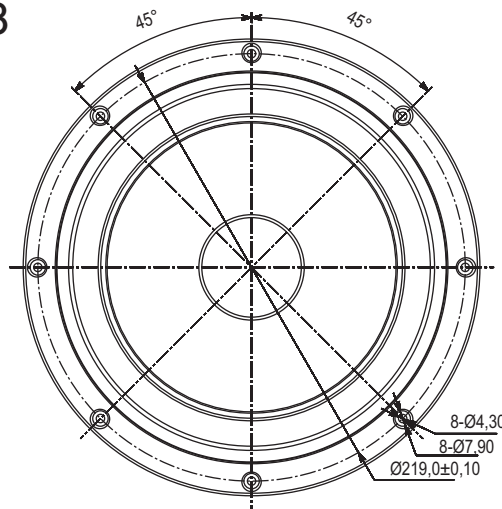


ACOUSTICS

8" SB23NRXS45-8



Response Curve :

— (Blue) : on axis — (Green) : 30 off-axis — (Red) : 60 off-axis

Specs :

Nominal Impedance	8 Ω	Free air resonance, F_s	27 Hz
DC resistance, R_e	5.6 Ω	Sensitivity (2.83 V/1m)	88.5 dB
Voice coil inductance, L_e	0.60 mH	Mechanical Q-factor, Q_{ms}	5.4
Effective piston area, S_d	216 cm ²	Electrical Q-factor, Q_{es}	0.41
Voice coil diameter	45.5 mm	Total Q-factor, Q_{ts}	0.38
Voice coil height	19 mm	Moving mass incl.air, m_d	24.5 g
Air gap height	6 mm	Force factor, Bl	7.5 Tm
Linear coil travel (p-p)	13 mm	Equivalent volume, V_{as}	94 liters
Magnetic flux density	0.86 T	Compliance, C_{ms}	1.42 mm/N
Magnet weight	0.8 kg	Mechanical loss, R_m	0.77 kg/s
Net weight	2.74 kg	Rated power handling	60 watt

The parameter are measured on drive units that are broken in